

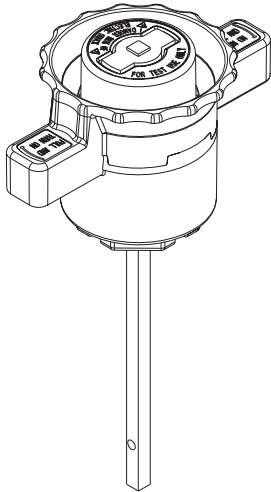


Installation Instructions for Bulletin 140U NFPA 79 Internal Rotary Operating NFPA Handle

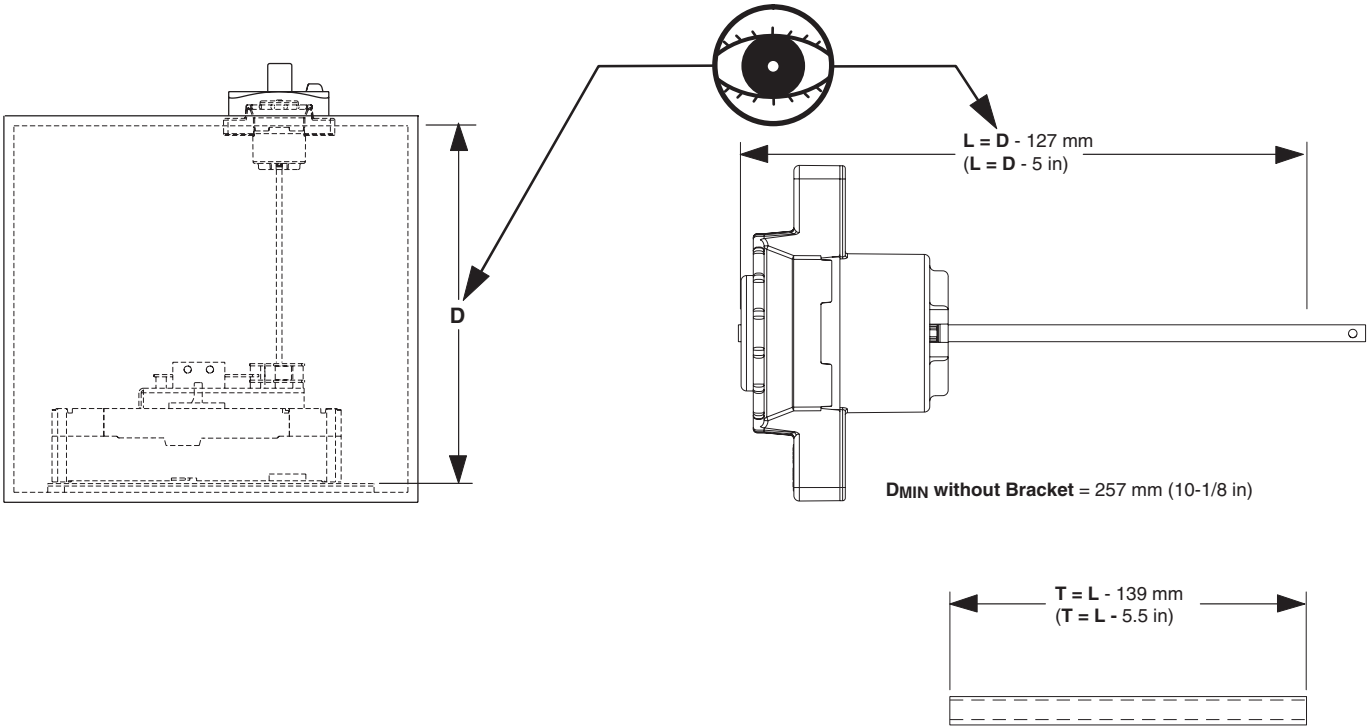
(Cat 140U-M-NH12, -NH21)

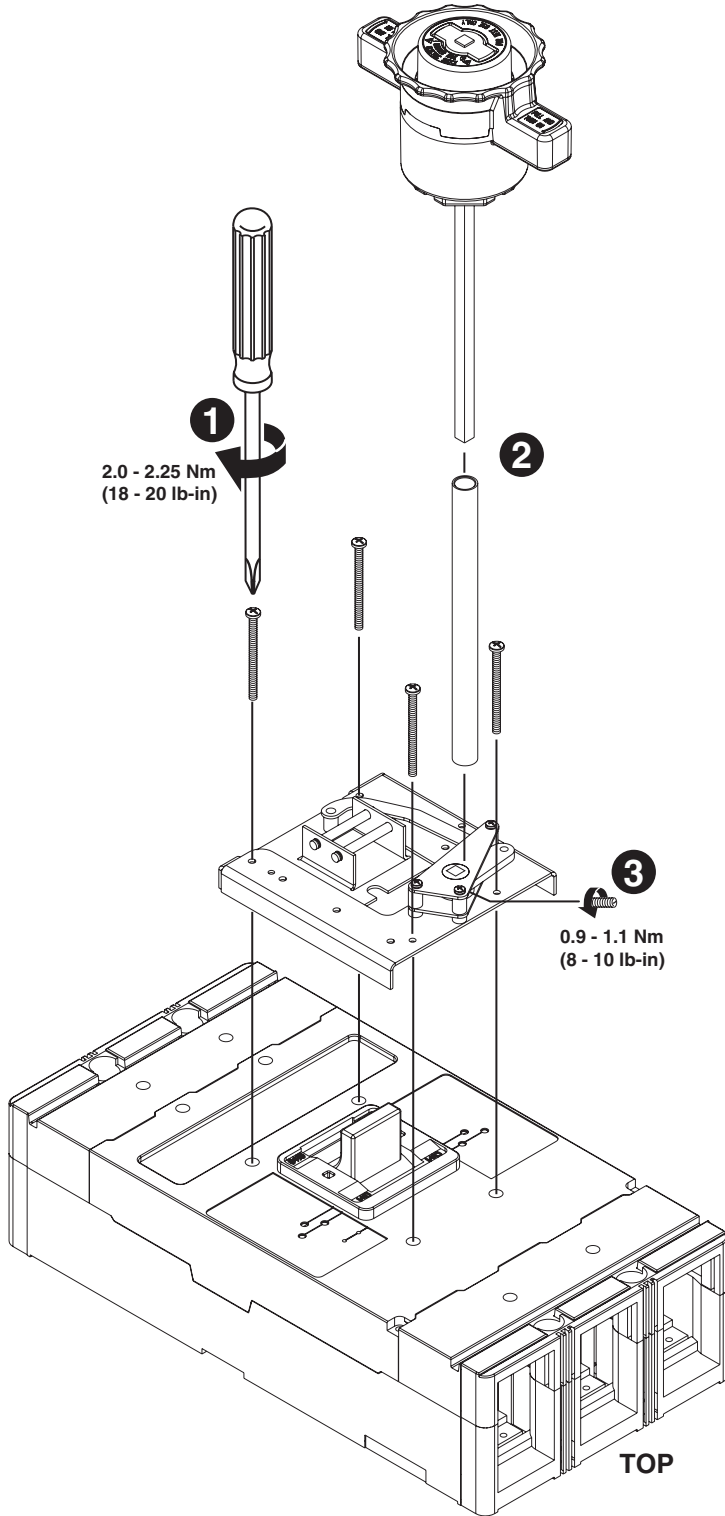


ATTENTION: To prevent electrical shock, disconnect from power source before installing or servicing.



1 Cut shaft and tube to proper length



2**Install Assembly****3****Operate Switch**

Important: Check for full range of motion.

