

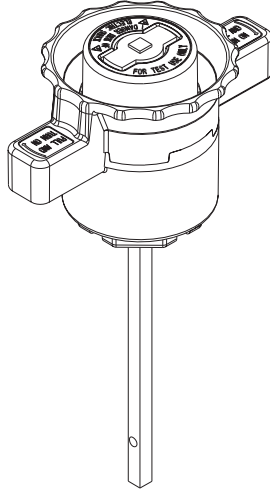


# Installation Instructions for Bulletin 140U NFPA 79 Internal Rotary Operating NFPA Handle

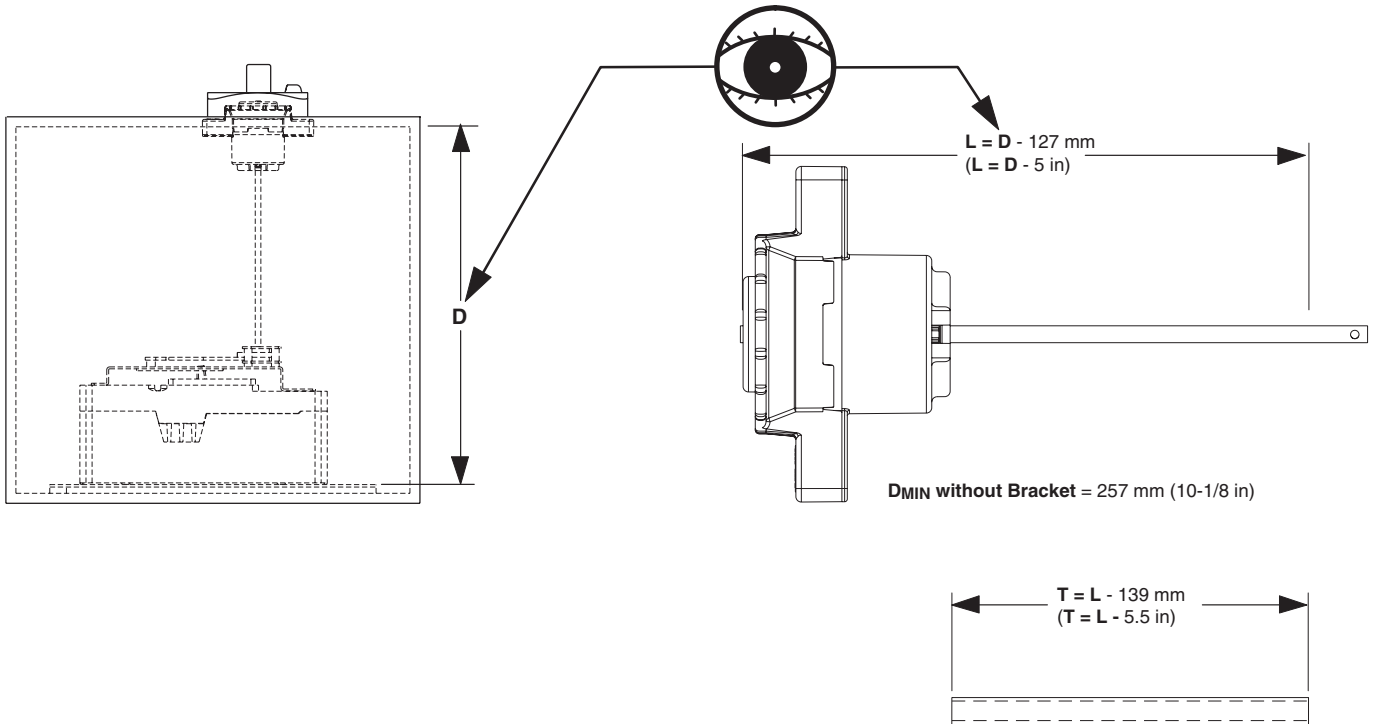
(Cat 140U-K-NH12, -NH21)



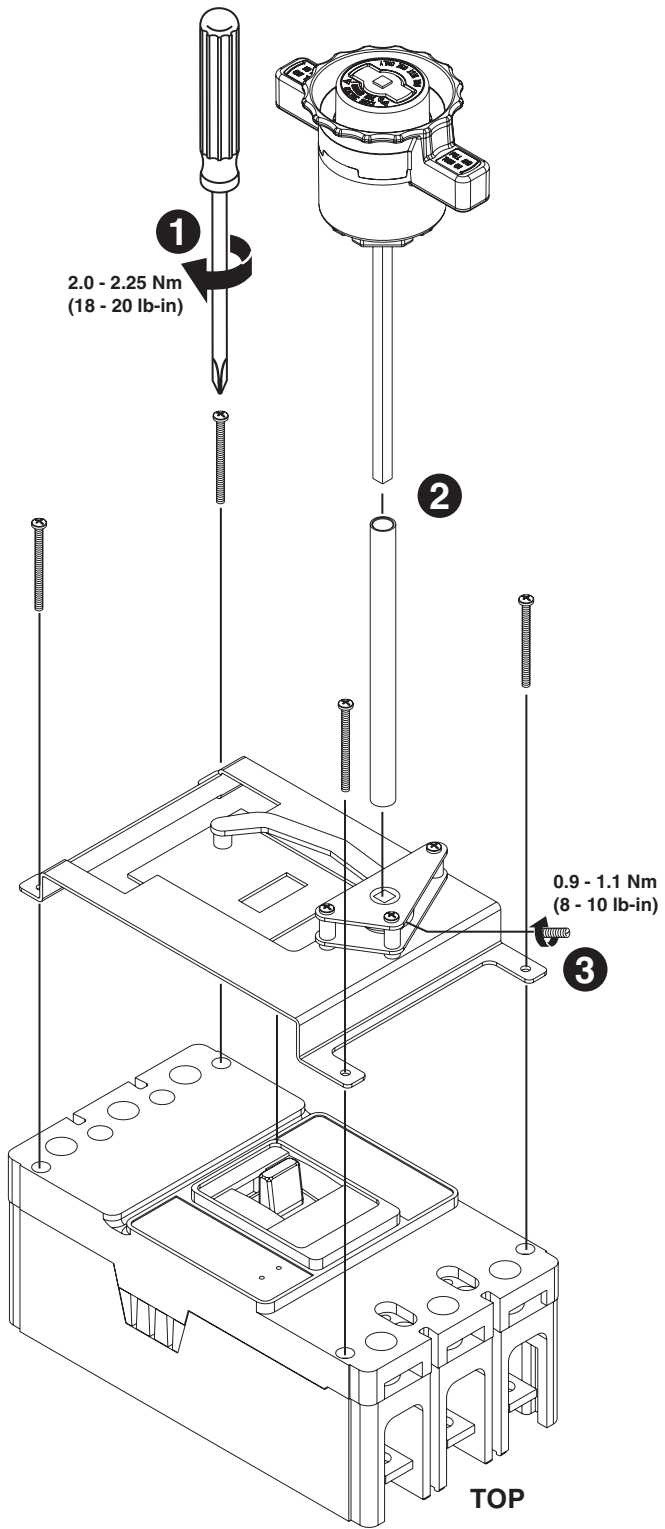
**ATTENTION:** To prevent electrical shock, disconnect from power source before installing or servicing.



## 1 Cut shaft and tube to proper length



## 2 Install Assembly



## 3 Operate Switch

**Important:** Check for full range of motion.

