



Molded Case Circuit Breakers Selection Guide



AB Parts

**Rockwell
Automation**

100 A, G-Frame

- UL 489
- CSA 22.2, No. 5

Note: Terminal box lugs provided as standard

Note: Accessories cannot be field installed to the G-Frame circuit breakers. Circuit breakers with 1 auxiliary contact are available as preferred availability items; other combinations are factory assembled.



14 kA, Thermal-Magnetic, Fixed Thermal-Fixed Magnetic

Rated Current I_n [A]	Thermal Trip [A] $I_t = I_n$ (Fixed)	Magnetic Trip [A] $I_m = 10 \times I_n$	Interrupt Rating (50/60 Hz) $I_{cu} // I_{cs}$ [kA]			Interrupt Rating [kA] *	2 Poles	2 Poles w/ 1 aux. contact
			208V AC	240V AC	480V AC		125/250 V DC *	Cat. No.
15	15	150	65	65	22	10	140U-G1C2-C15	140U-G1C2-C15-A
20	20	200	65	65	22	10	140U-G1C2-C20	140U-G1C2-C20-A
25	25	250	65	65	22	10	140U-G1C2-C25	140U-G1C2-C25-A
30	30	300	65	65	22	10	140U-G1C2-C30	140U-G1C2-C30-A
35	35	350	65	65	22	10	140U-G1C2-C35	140U-G1C2-C35-A
40	40	400	65	65	22	10	140U-G1C2-C40	140U-G1C2-C40-A
45	45	450	65	65	22	10	140U-G1C2-C45	140U-G1C2-C45-A
50	50	500	65	65	22	10	140U-G1C2-C50	140U-G1C2-C50-A

* Time constant is 8 ms min.

22 kA, Thermal-Magnetic, Fixed Thermal-Fixed Magnetic

Rated Current I_n [A]	Thermal Trip [A] $I_t = I_n$ (Fixed)	Magnetic Trip [A] $I_m = 10 \times I_n$	Interrupt Rating (50/60 Hz) $I_{cu} // I_{cs}$ [kA]			Interrupt Rating [kA] *	3 Poles	3 Poles w/ 1 aux. contact
			208V AC	240V AC	480V AC		125/250 V DC *	Cat. No.
15	15	150	65	65	22	10	140U-G2C3-C15	140U-G2C3-C15-A
20	20	200	65	65	22	10	140U-G2C3-C20	140U-G2C3-C20-A
25	25	250	65	65	22	10	140U-G2C3-C25	140U-G2C3-C25-A
30	30	300	65	65	22	10	140U-G2C3-C30	140U-G2C3-C30-A
35	35	350	65	65	22	10	140U-G2C3-C35	140U-G2C3-C35-A
40	40	400	65	65	22	10	140U-G2C3-C40	140U-G2C3-C40-A
45	45	450	65	65	22	10	140U-G2C3-C45	140U-G2C3-C45-A
50	50	500	65	65	22	10	140U-G2C3-C50	140U-G2C3-C50-A
60	60	600	65	65	22	10	140U-G2C3-C60	140U-G2C3-C60-A
70	70	700	65	65	22	10	140U-G2C3-C70	140U-G2C3-C70-A
80	80	800	65	65	22	10	140U-G2C3-C80	140U-G2C3-C80-A
90	90	900	65	65	22	10	140U-G2C3-C90	140U-G2C3-C90-A
100	100	1000	65	65	22	10	140U-G2C3-D10	140U-G2C3-D10-A

* Time constant is 8 ms min. and 2 poles of a 3-pole circuit breaker.

AB Parts

Molded Case Circuit Breakers

Accessories - G Frame

Description		Cat. No.
Rotary, Variable-Depth Operating Mechanism Type 1/3/3R/4/4X/12 Rotary Handle 12 in. operating rod	Black Handle	140U-G-RM12B
	Red/Yellow Handle	140U-G-RM12R
Padlock Kit Padlocking Hasp Lock-OFF only		140U-G-PL
DIN Rail Adapter Allows G-frame MCCB to mount to 35mm DIN Rail	2 Poles	140U-G-DRA2
	3 Poles	140U-G-DRA3

Internal Control Modules — Factory Installed

Auxiliary and Alarm Contacts	Suffix	
	2-Pole	3-Pole
(1) AX	- A	- A

Shunt Trip Combinations	Suffix	
	2-Pole	3-Pole
(1) SNT only	—	- P⊗
(1) AX + (1) SNT	—	- Q⊗

⊗Standard Voltage Suffix Codes*

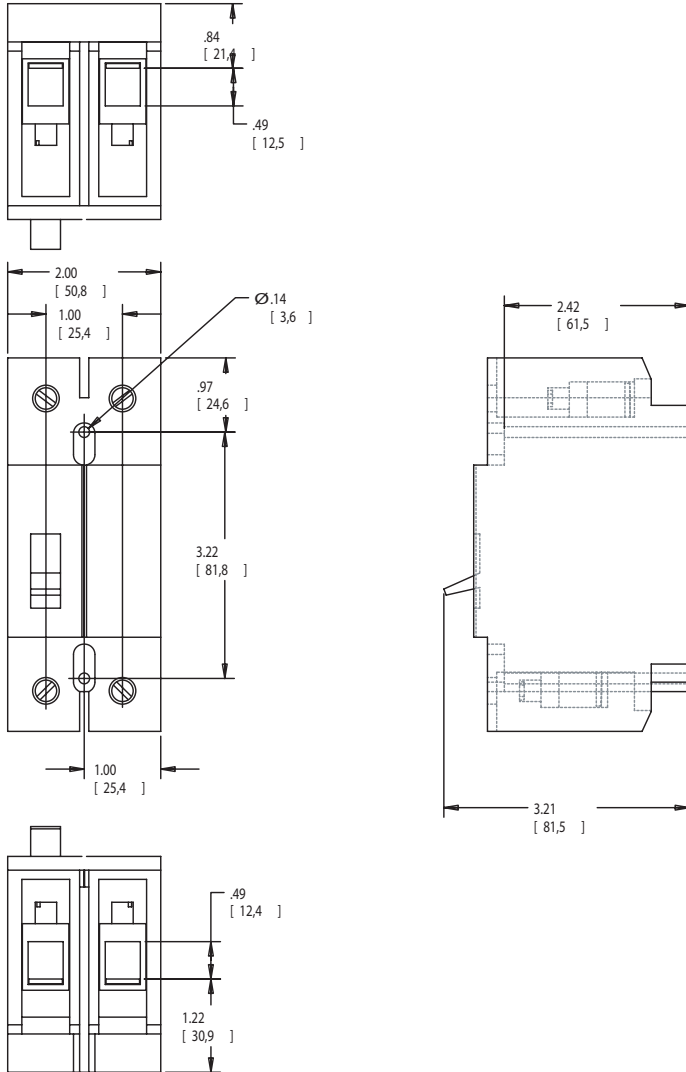
Voltage [V]	110...240		
AC, 50/60 Hz	D		

* For additional options, consult your local Allen-Bradley distributor.

Dimensions are in inches (millimeters). Dimensions are not intended to be used for manufacturing purposes.

2-Pole Dimensions

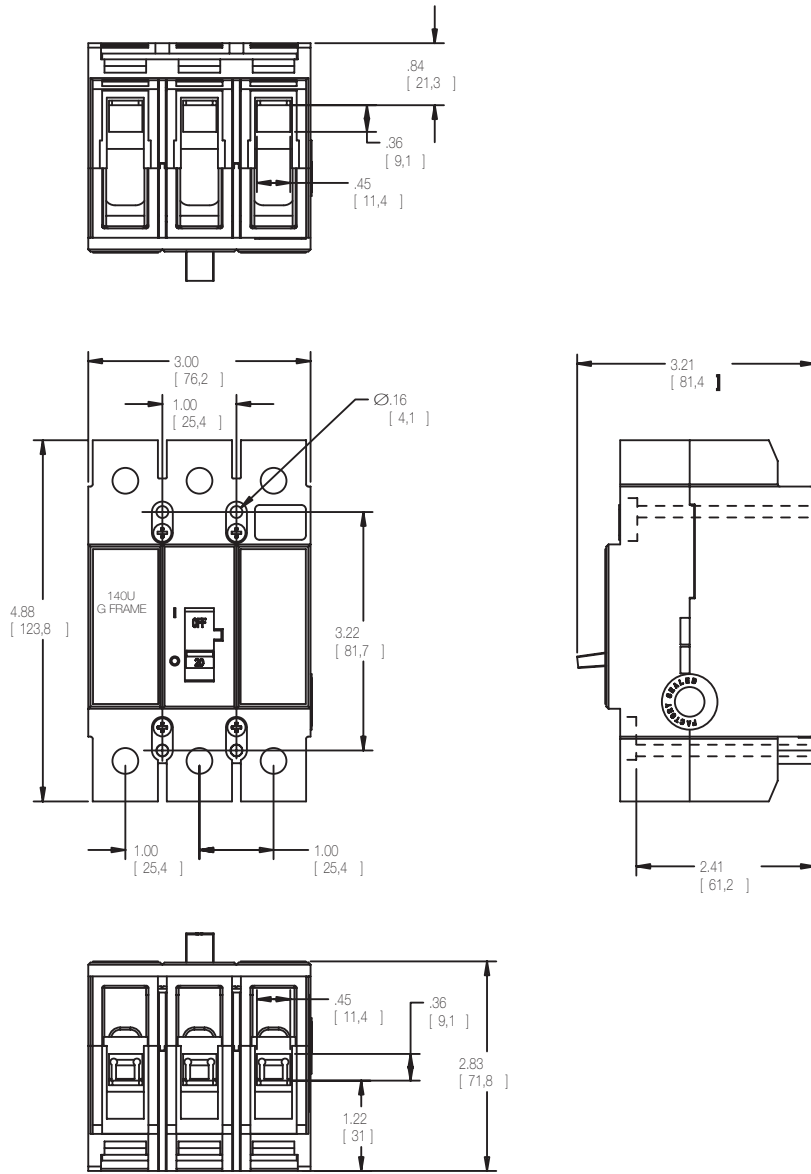
15-100 AMP, PRESSURE COLLAR TERMINALS



AB Parts

Bulletin 140U
Molded Case Circuit Breakers
 Approximate Dimensions - G Frame, cont.

3-Pole Dimensions



AB Parts

www.rockwellautomation.com

Corporate Headquarters

Rockwell Automation, 777 East Wisconsin Avenue, Suite 1400, Milwaukee, WI, 53202-5302 USA, Tel: (1) 414.212.5200, Fax: (1) 414.212.5201

Headquarters for Allen-Bradley Products, Rockwell Software Products and Global Manufacturing Solutions

Americas: Rockwell Automation, 1201 South Second Street, Milwaukee, WI 53204-2496 USA, Tel: (1) 414.382.2000, Fax: (1) 414.382.4444

Europe/Middle East/Africa: Rockwell Automation SA/NV, Vorstlaan/Boulevard du Souverain 36, 1170 Brussels, Belgium, Tel: (32) 2 663 0600, Fax: (32) 2 663 0640

Asia Pacific: Rockwell Automation, Level 14, Core F, Cyberport 3, 100 Cyberport Road, Hong Kong, Tel: (852) 2887 4788, Fax: (852) 2508 1846

Headquarters for Dodge and Reliance Electric Products

Americas: Rockwell Automation, 6040 Ponders Court, Greenville, SC 29615-4617 USA, Tel: (1) 864.297.4800, Fax: (1) 864.281.2433

Europe/Middle East/Africa: Rockwell Automation, Herman-Heinrich-Gossen-Strasse 3, 50858 Köln, Germany, Tel: 49 (0) 2234 379410, Fax: 49 (0) 2234 3794164

Asia Pacific: Rockwell Automation, 55 Newton Road, #11-01/02 Revenue House, Singapore 307987, Tel: (65) 6356 9077, Fax: (65) 6356 9011