

Product Description:

The 1550-N2/MBS and 1560-MBP family of communication products allow any Allen-Bradley SCANport compatible product (Allen-Bradley Drives, SMC Dialog Plus, SMP3, etc.) to communicate directly with foreign hosts using several popular protocols. With these interfaces, hosts have read/write access to such parameters as start, stop, jog, direction, fault reset, as well as the ability to monitor dynamic values such as voltage, current, power, and actual speed. The 1550-N2 Metasys Slave protocol allows Allen-Bradley hardware to be connected directly to the Johnson Controls Metasys network, providing a powerful direct connection in building management applications, while the 1550-MBS can be easily interfaced in SCADA applications. The 1560-MBP is a powerful interface to the Modbus Plus network, allowing Modicon processors to connect easily to the Allen-Bradley hardware. This interface takes full advantage of the Modbus Plus protocol, including Global Data, allowing the interface to function well in very high speed applications. Each product is shipped with a full User Manual and example ladder logic (1560-MBP) on disk.

Features:

- High speed data access via Datalinks
- Control start/stop/direction, Reset Faults, speed reference, etc. remotely
- Read drive operating parameters
- Dip switch configuration of communication parameters

Specifications:

1560-MBP Modbus Plus

- Direct connection to network
- Supported Modbus Plus operations:
 - MSTR Type 1 - Write Data
 - MSTR Type 2 - Read Data
 - MSTR Type 5 - Write Global Data
 - MSTR Type 6 - Read Global Data
- Global Data Control from Host PLC (High Speed)
- Pre-assigned Modbus memory map (Up to 2000 parameters)
- Up to 2000 parameter values

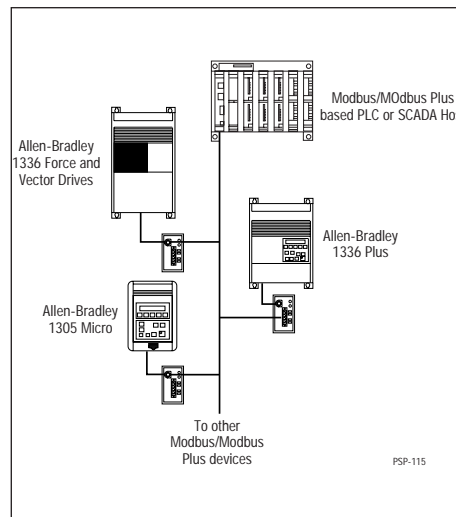
1550-MBS Modbus Slave

- RS-232, RS-422, RS-485
- RTU Mode
- Function Codes 3,6 and 16
- Pre-assigned Modbus memory map (Up to 575 parameters)

1550-N2 Metasys Slave

- RS-485 direct connection to N2 bus
- Uses Datalinks only
- Compatible with Metasys and Companion host systems

Connectivity Diagram



INDUSTRIES

- All industries



APPLICATIONS

- High speed drive communications (1560-MBP)



PLATFORMS

- AC drives



CONNECTIVITY

- Modbus
- Metasys

For More Information:

ProSoft Technology, Inc.

9801 Camino Media, Suite 105

Bakersfield, CA 93311

Ph: (805) 664-7208 • Fax: (805) 664-7233

E-Mail Address: prosoft@prosoft-technology.com

