

PRODUCT PROFILE

CURRENT TRANSFORMER

MODEL 1411-604

High Accuracy Low Ratio Split Core

Application

For energy management systems and instrumentation.

Frequency

50-400 Hz.

Insulation level

0.6 kV, 10 kV BIL full wave.

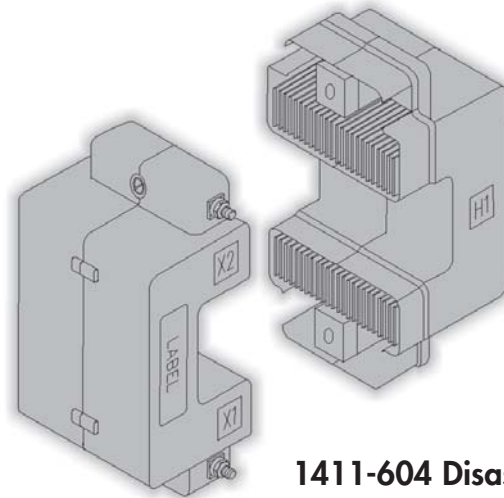
Continuous Thermal Current Rating Factor

Model 1411-604-401:

1.33 at 30°C amb.,

1.0 at 55°C amb.

- Terminals are 10-32 brass studs with one flatwasher and 2 regular nuts.
- Approximate Weight: 2.5 lbs.



1411-604 Disassembled

WINDOW SIZE 1.42" X 1.53"

This transformer is designed for assembly to an existing electrical installation without the need for dismantling the primary bus or cables.

The output can be rectified and filtered for devices requiring d.c. input. The non-linearity and voltage drop of the rectifiers and filters must be considered in the choice of the loading impedance.

REGULATORY AGENCY APPROVALS



Manufactured to meet the requirements of
ANSI/IEEE C57.13.

Classified by U.L. in accordance with IEC 44-1

AB Parts

ALLEN-BRADLEY • ROCKWELL SOFTWARE • DODGE • RELIANCE ELECTRIC

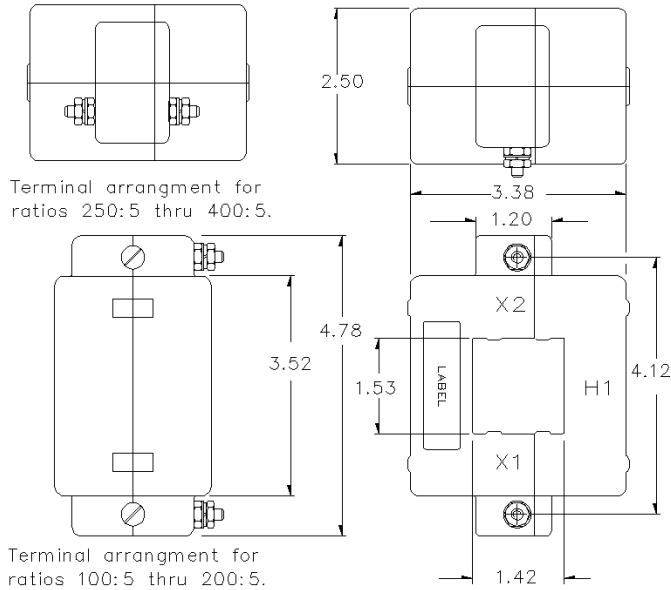
**Rockwell
Automation**

SPECIFICATIONS

CAUTION :

Proper safety precautions must be followed during installation by a trained electrician. Never install while bus is energized.

The current transformer must have its secondary terminals short circuited or the burden connected, before energizing the primary circuit.



CATALOG NUMBER	CURRENT RATIO	BURDEN VA	ACCURACY
1411 - 604 - 101	100:5	1	± 5%
1411 - 604 - 151	150:5	1	± 4%
1411 - 604 - 201	200:5	1	± 2%
1411 - 604 - 251	250:5	2	± 2%
1411 - 604 - 301	300:5	2	± 1.5%
1411 - 604 - 401	400:5	2.5	± 1.5%

www.rockwellautomation.com

Power, Control and Information Solutions Headquarters

Americas: Rockwell Automation, 1201 South Second Street, Milwaukee, WI 53204-2496 USA, Tel: (1) 414.382.2000, Fax: (1) 414.382.4444

Europe/Middle East/Africa: Rockwell Automation, Vorstlaan/Boulevard du Souverain 36, 1170 Brussels, Belgium, Tel: (32) 2 663 0600, Fax: (32) 2 663 0640

Asia Pacific: Rockwell Automation, Level 14, Core F, Cyberport 3, 100 Cyberport Road, Hong Kong, Tel: (852) 2887 4788, Fax: (852) 2508 1846