

# PRODUCT PROFILE

## CURRENT TRANSFORMER

MODEL 1411-125

### Application

Metering.

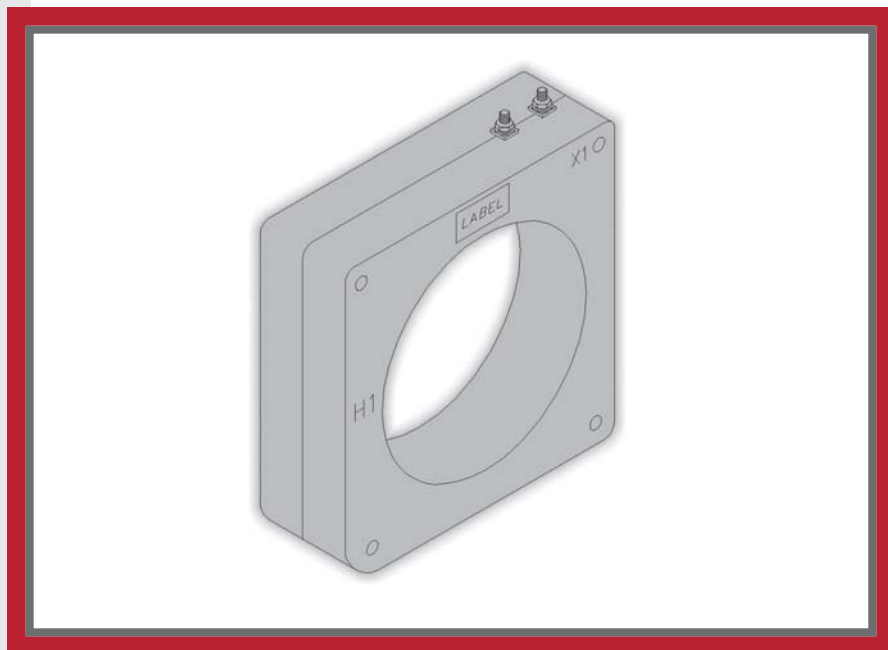
### Frequency

50-400 Hz.

### Insulation Level

0.6 kV, 10 kV BIL full wave.

- Terminals are brass studs No. 8-32 UNC with one flatwasher, lockwasher and regular nut.
- Approximate weight 3 lbs.



WINDOW DIAMETER 6.31"

REGULATORY AGENCY APPROVALS



Manufactured to meet the requirements of  
ANSI/IEEE C57.13.

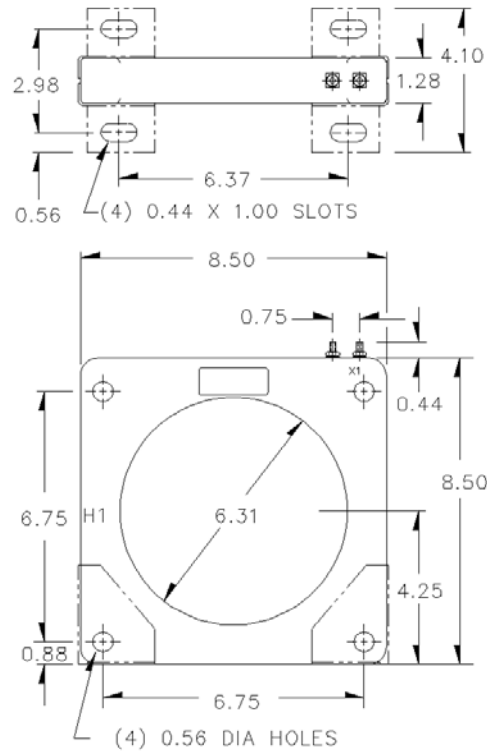
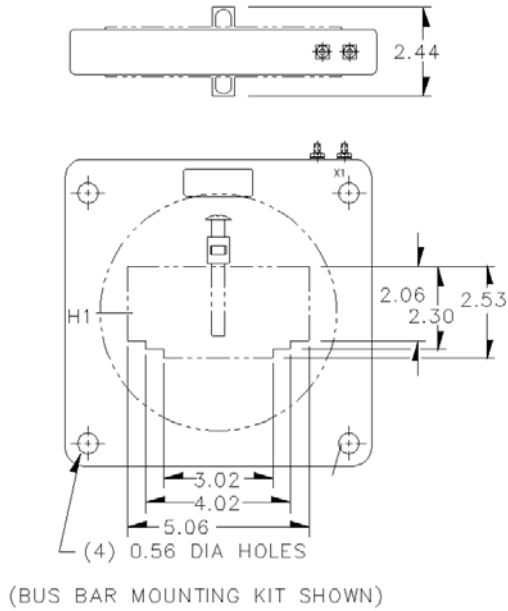
Classified by U.L. in accordance with IEC 44-1

# Allen-Bradley

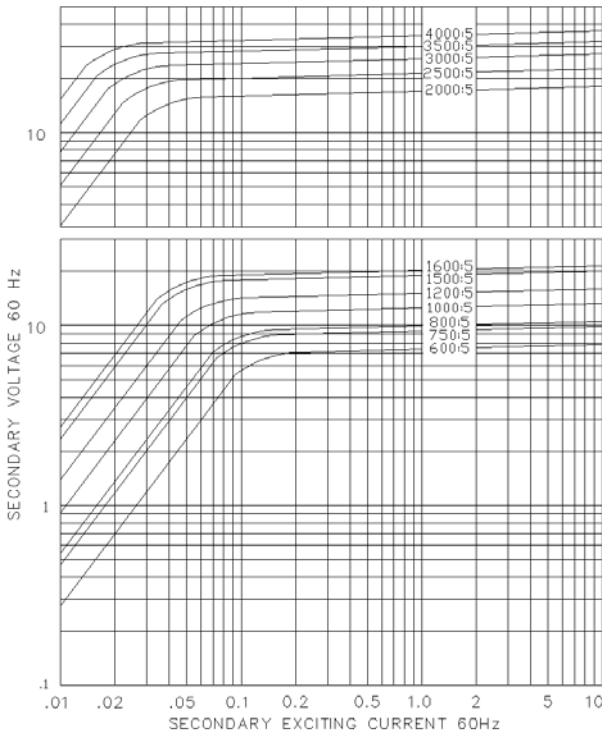
ALLEN-BRADLEY • ROCKWELL SOFTWARE • DODGE • RELIANCE ELECTRIC

**Rockwell**  
**Automation**

# SPECIFICATIONS



EXCITATION CURVE



CATALOG NUMBER	CURRENT RATIO	ANSI METERING CLASS AT 60 Hz					SECONDARY WINDING RESISTANCE (OHMS @ 75°C)	CONTINUOUS THERMAL RATING FACTOR	
		B0.1	B0.2	B0.5	B0.9	B1.8		@30°C	@55°C
1411 - 125 - 102	1000:5	0.3	0.3	0.3	0.6	1.2	0.187	1.5	1.33
1411 - 125 - 122	1200:5	0.3	0.3	0.3	0.6	1.2	0.224	1.5	1.33
1411 - 125 - 152	1500:5	0.3	0.3	0.3	0.3	0.6	0.285	1.5	1.33
1411 - 125 - 162	1600:5	0.3	0.3	0.3	0.3	0.6	0.304	1.5	1.33
1411 - 125 - 202	2000:5	0.3	0.3	0.3	0.3	0.6	0.280	1.5	1.0
1411 - 125 - 252	2500:5	0.3	0.3	0.3	0.3	0.6	0.351	1.33	1.0
1411 - 125 - 302	3000:5	0.3	0.3	0.3	0.3	0.6	0.421	1.33	1.0
1411 - 125 - 352	3500:5	0.3	0.3	0.3	0.3	0.3	0.491	1.33	1.0
1411 - 125 - 402	4000:5	0.3	0.3	0.3	0.3	0.3	0.696	1.0	0.8

[www.rockwellautomation.com](http://www.rockwellautomation.com)

## Power, Control and Information Solutions Headquarters

Americas: Rockwell Automation, 1201 South Second Street, Milwaukee, WI 53204-2496 USA, Tel: (1) 414.382.2000, Fax: (1) 414.382.4444

Europe/Middle East/Africa: Rockwell Automation, Vorstlaan/Boulevard du Souverain 36, 1170 Brussels, Belgium, Tel: (32) 2 663 0600, Fax: (32) 2 663 0640

Asia Pacific: Rockwell Automation, Level 14, Core F, Cyberport 3, 100 Cyberport Road, Hong Kong, Tel: (852) 2887 4788, Fax: (852) 2508 1846