

PRODUCT PROFILE

CURRENT TRANSFORMER

MODELS 1411-600 & 601 SPLIT CORE

Application

For energy management systems and instrumentation.

Frequency

50-400 Hz.

Insulation level

0.6 kV, 10 kV BIL full wave.

Construction

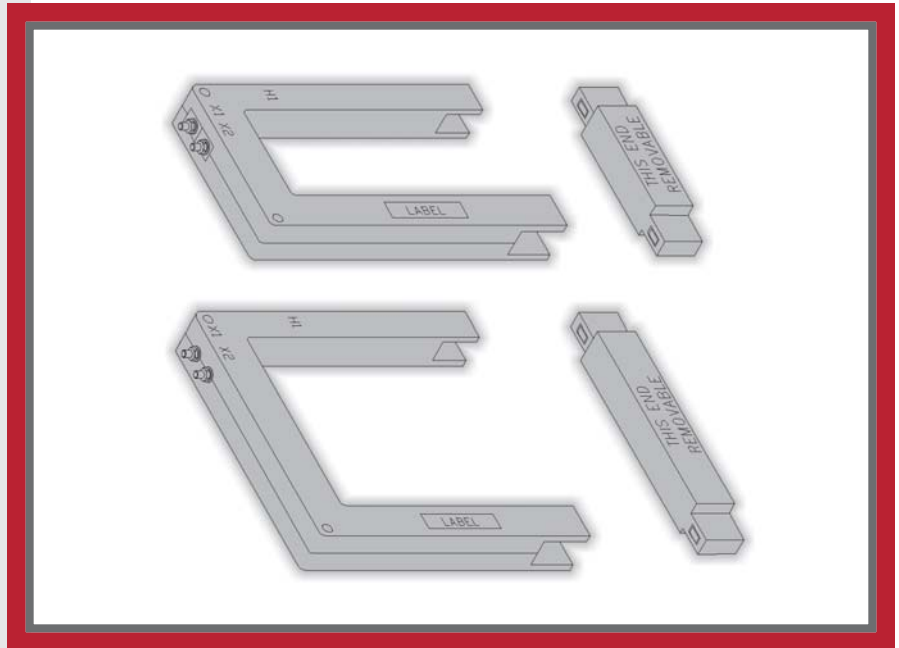
The core and windings are encased in U.L. approved plastic.

Continuous Thermal Current Rating Factor

1.33 at 30°C amb.,

1.0 at 55°C amb.

- Terminals are 8-32 brass studs with one flatwasher, lockwasher and regular nut.
- Flexible leads UL 1015 105oC, CSA Approved, #16 AWG, 24" long
- Approximate Weight: 1.5 Lbs.



WINDOW SIZE

1411 - 600 2.00" X 5.50"

1411 - 601 4.50" X 4.50"

These transformers are designed for assembly to an existing electrical installation without the need for dismantling the primary bus or cables.

REGULATORY AGENCY APPROVALS



Manufactured to meet the requirements of
ANSI/IEEE C57.13.

Classified by U.L. in accordance with IEC 44-1

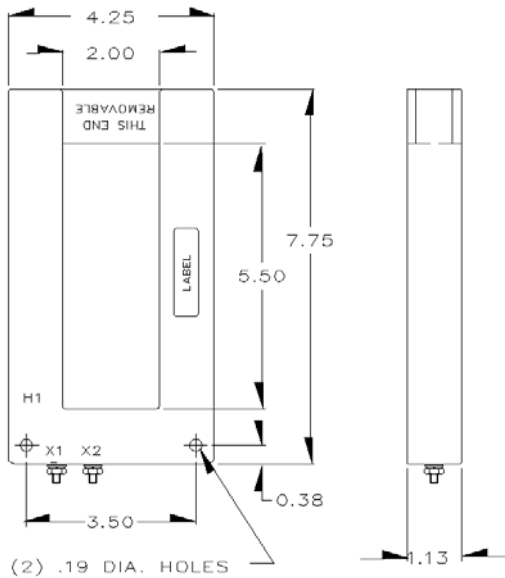
SPECIFICATIONS

CAUTION :

Proper safety precautions must be followed during installation by a trained electrician. Never install while bus is energized.

The current transformer must have its secondary terminals short circuited or the burden connected, before energizing the primary circuit.

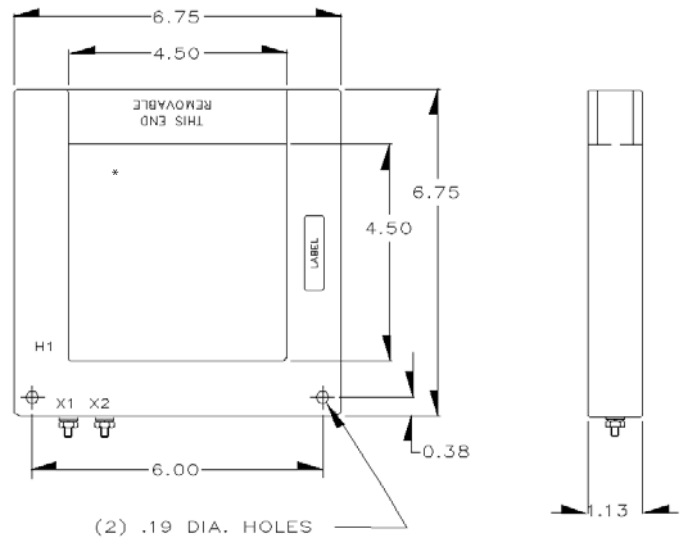
Modell 1411-600



CATALOG NO.	CURRENT RATIO	VA AT 1% CLASS	ANSI METERING CLASS AT 60Hz		
			B0.1	B0.2	B0.5
1411 - 600 - 251	250:5A	1.5	4.8	-	-
1411 - 600 - 301	300:5A	2.0	2.4	-	-
1411 - 600 - 401	400:5A	1.5	2.4	4.8	-
1411 - 600 - 501	500:5A	2.0	2.4	4.8	-
1411 - 600 - 601	600:5A	2.5	2.4	2.4	-
1411 - 600 - 801	800:5A	5.0	1.2	1.2	2.4
1411 - 600 - 102	1000:5A	7.5	1.2	1.2	2.4
1411 - 600 - 122	1200:5A	15.0	0.6	1.2	1.2
1411 - 600 - 152	1500:5A	20.0	0.6	0.6	1.2
1411 - 600 - 162	1600:5A	20.0	0.6	0.6	1.2
1411 - 600 - 202	2000:5A	30.0	0.6	0.6	0.6

Modell 1411-601

CATALOG NO.	CURRENT RATIO	VA AT 1% CLASS	ANSI METERING CLASS AT 60Hz		
			B0.1	B0.2	B0.5
1411 - 601 - 401	400:5A	1.0	4.8	-	-
1411 - 601 - 501	500:5A	1.5	4.8	4.8	-
1411 - 601 - 601	600:5A	2.0	2.4	4.8	-
1411 - 601 - 801	800:5A	2.5	1.2	2.4	4.8
1411 - 601 - 102	1000:5A	5.0	1.2	1.2	4.8
1411 - 601 - 122	1200:5A	10.0	1.2	1.2	2.4
1411 - 601 - 152	1500:5A	15.0	1.2	1.2	1.2
1411 - 601 - 162	1600:5A	15.0	1.2	1.2	1.2
1411 - 601 - 202	2000:5A	20.0	0.6	0.6	1.2



www.rockwellautomation.com

Power, Control and Information Solutions Headquarters

Americas: Rockwell Automation, 1201 South Second Street, Milwaukee, WI 53204-2496 USA, Tel: (1) 414.382.2000, Fax: (1) 414.382.4444

Europe/Middle East/Africa: Rockwell Automation, Vorstlaan/Boulevard du Souverain 36, 1170 Brussels, Belgium, Tel: (32) 2 663 0600, Fax: (32) 2 663 0640

Asia Pacific: Rockwell Automation, Level 14, Core F, Cyberport 3, 100 Cyberport Road, Hong Kong, Tel: (852) 2887 4788, Fax: (852) 2508 1846