

# PRODUCT PROFILE

## CURRENT TRANSFORMER

### MODELS 1411-605 & 607

#### Application

For energy management systems and instrumentation.

#### Frequency

50-400 Hz.

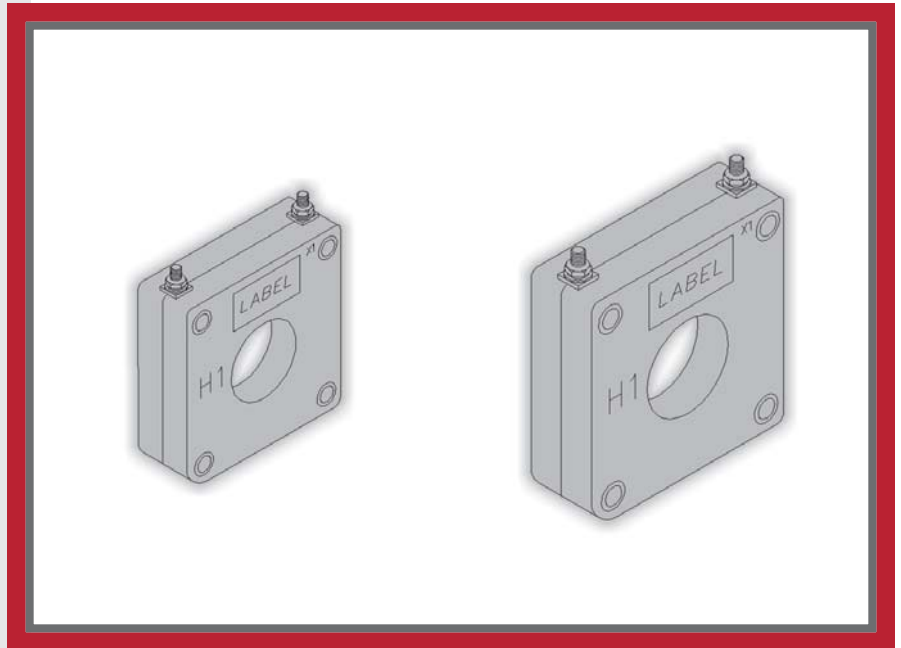
#### Insulation level

0.6 kV, 10 kV BIL full wave.

#### Construction

The core and windings are encased in U.L. approved plastic.

- Terminals are brass studs No. 8-32 UNF with one flatwasher, lockwasher and regular nut.
- Approximate weight:  
1411-605 1lbs., 4oz.;  
1411-607 2lbs.



#### WINDOW DIAMETERS

1411-605 1.47"

1411-607 2.31"

#### REGULATORY AGENCY APPROVALS



Manufactured to meet the requirements of  
ANSI/IEEE C57.13.

Classified by U.L. in accordance with IEC 44-1

# Allen-Bradley Motors

ALLEN-BRADLEY • ROCKWELL SOFTWARE • DODGE • RELIANCE ELECTRIC

**Rockwell  
Automation**

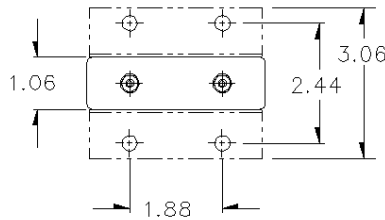
# SPECIFICATIONS

## CAUTION :

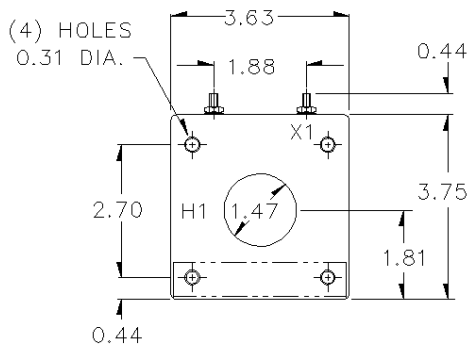
Proper safety precautions must be followed during installation by a trained electrician. Never install while bus is energized.

The current transformer must have its secondary terminals short circuited or the burden connected, before energizing the primary circuit.

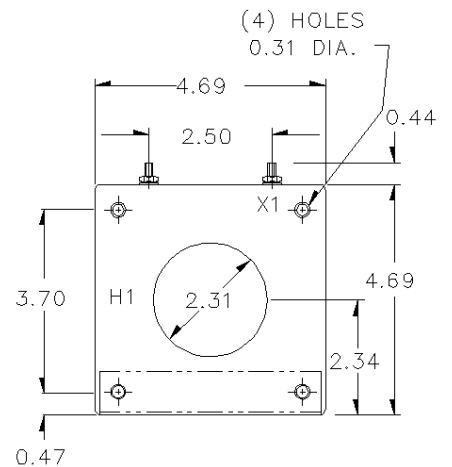
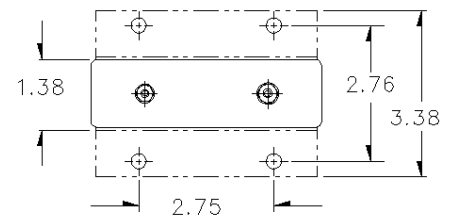
### Modell 1411-605



CATALOG NUMBER	CURRENT RATIO	VA ±1% CLASS	ANSI METERING CLASS AT 60Hz					SECONDARY WINDING RESISTANCE (OHMS @ 75 C)	CONTINUOUS THERMAL RATING FACTOR	
			B0.1	B0.2	B0.5	B0.9	B1.8		@30 C	@55 C
1411 - 605 - 201	200:5	12,5	0,6	0,6	1,2	2,4	4,8	0,024	2,0	2,0
1411 - 605 - 401	400:5	25,0	0,3	0,3	0,6	1,2	1,2	0,067	1,5	1,33
1411 - 605 - 601	600:5	30,0	0,3	0,3	0,3	0,6	1,2	0,158	1,0	0,8



### Modell 1411-607



CATALOG NUMBER	CURRENT RATIO	VA ±1% CLASS	ANSI METERING CLASS AT 60Hz					SECONDARY WINDING RESISTANCE (OHMS @ 75 C)	CONTINUOUS THERMAL RATING FACTOR	
			B0.1	B0.2	B0.5	B0.9	B1.8		@30 C	@55 C
1411 - 607 - 151	150:5	2,5	0,6	1,2	4,8	4,8	-	0,025	2,0	2,0
1411 - 607 - 801	800:5	35,0	0,3	0,3	0,3	0,6	0,6	0,175	1,5	1,0

[www.rockwellautomation.com](http://www.rockwellautomation.com)

## Power, Control and Information Solutions Headquarters

Americas: Rockwell Automation, 1201 South Second Street, Milwaukee, WI 53204-2496 USA, Tel: (1) 414.382.2000, Fax: (1) 414.382.4444

Europe/Middle East/Africa: Rockwell Automation, Vorstlaan/Boulevard du Souverain 36, 1170 Brussels, Belgium, Tel: (32) 2 663 0600, Fax: (32) 2 663 0640

Asia Pacific: Rockwell Automation, Level 14, Core F, Cyberport 3, 100 Cyberport Road, Hong Kong, Tel: (852) 2887 4788, Fax: (852) 2508 1846