

# PRODUCT PROFILE

## CURRENT TRANSFORMER

### MODEL 1411-616 Split Core / Clamp On

#### Application

For energy management systems and instrumentation equipment.

#### Frequency

50-400 Hz.

#### Insulation level

0.6 kV, 10 kV BIL full wave.

#### Construction

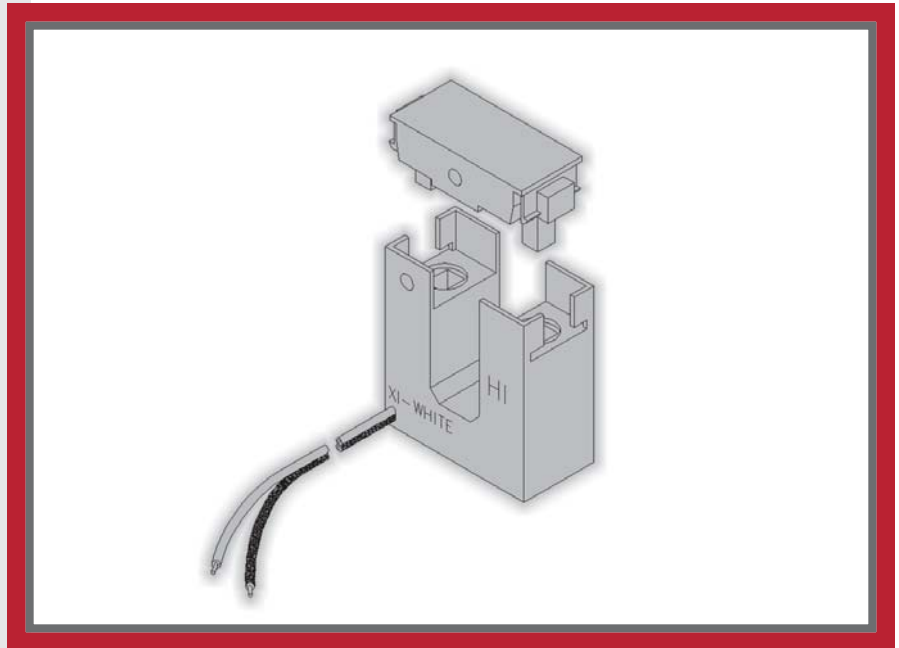
The core and windings are encased in U.L. approved plastic.

#### Continuous Thermal Current Rating Factor

1.33 at 30°C amb.,

1.0 at 50°C amb.

- Flexible leads are UL 1015 105°C, #16 AWG, 36"
- Approximate Weight: 1.2 lbs.



WINDOW SIZE 1.30" X 2.15"

These transformers are designed for assembly to an existing electrical installation without the need for dismantling the primary bus or cables.

REGULATORY AGENCY APPROVALS



Manufactured to meet the requirements of  
ANSI/IEEE C57.13.

Classified by U.L. in accordance with IEC 44-1

# AB Drives

ALLEN-BRADLEY • ROCKWELL SOFTWARE • DODGE • RELIANCE ELECTRIC

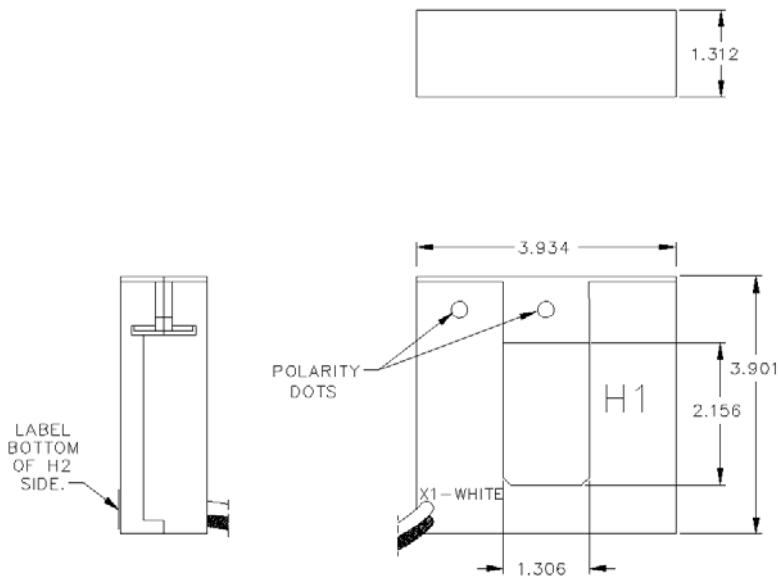
**Rockwell**  
**Automation**

# SPECIFICATIONS

## CAUTION :

Proper safety precautions must be followed during installation by a trained electrician. Never install while bus is energized.

The current transformer must have its secondary terminals short circuited or the burden connected, before energizing the primary circuit.



CATALOG NUMBER	CURRENT RATIO	ACCURACY	BURDEN
1411 - 616 - 201	200:5	3 %	2.0VA
1411 - 616 - 401	400:5	1 %	5VA
1411 - 616 - 801	800:5	1 %	5VA
1411 - 616 - 401 - 01	400:0.1	1 %	5ohm

[www.rockwellautomation.com](http://www.rockwellautomation.com)

### Power, Control and Information Solutions Headquarters

Americas: Rockwell Automation, 1201 South Second Street, Milwaukee, WI 53204-2496 USA, Tel: (1) 414.382.2000, Fax: (1) 414.382.4444

Europe/Middle East/Africa: Rockwell Automation, Vorstlaan/Boulevard du Souverain 36, 1170 Brussels, Belgium, Tel: (32) 2 663 0600, Fax: (32) 2 663 0640

Asia Pacific: Rockwell Automation, Level 14, Core F, Cyberport 3, 100 Cyberport Road, Hong Kong, Tel: (852) 2887 4788, Fax: (852) 2508 1846