

Product Description:

The 3700-DEM (PLC) and the 3750-DEM (SLC) are single slot modules that support digital communications with Honeywell Smart Transmitters. The modules support 16 DE channels (3700) or 8 DE channels (3750) and allow both Single and/or Multivariable Honeywell Transmitters operating in the DE mode to be directly integrated into the Allen-Bradley environment. Data exchange between the DEM module and the processor data table is performed using standard ladder logic commands (Block Transfer in the PLC and MO/M1 in the SLC).

The data structure is automatically preset for the DE channels, allowing the module to be inserted into any PLC/SLC application with minimum ladder logic required. To ease configuration, a Windows program is available for each of the modules. The tools allow easy configuration of the individual DE Channels, while also providing real time access to the PV values. Each product is shipped with a full User Manual and example ladder logic on disk.

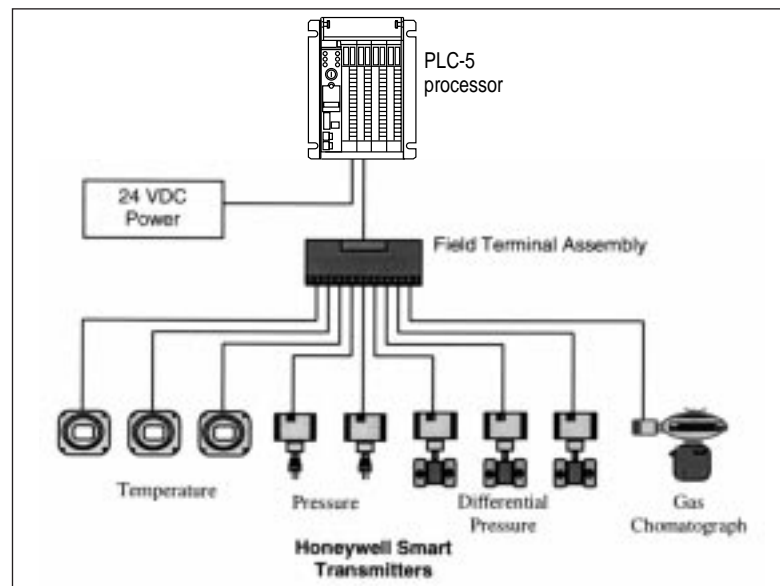
Features:

- Interfaces with Honeywell Smart Transmitters operating in the DE mode
- Full read/write access to instrument database
- Instrument database mismatch verification
- Interfaces directly to Honeywell Field Terminal Assembly (FTA), provided with module
- Supports redundant and non-redundant FTA implementations (Redundant optional)
- External 24 VDC source connection on front of DEM module for instrument loop power
- Operation via simple ladder logic

Specifications:

- Backplane data transfer using BTR/BTW and MO/M1 files
- FLASH support for program upgrades
- Visual (LED) status on module

Connectivity Diagram



INDUSTRIES

- Petroleum/mining
- Metals
- Infrastructure



APPLICATIONS

- Digital interface to instruments



PLATFORMS

- 1771 I/O chassis
- 1746 I/O chassis



CONNECTIVITY

- Backplane

For More Information:

ProSoft Technology, Inc.
9801 Camino Media, Suite 105
Bakersfield, CA 93311
Ph: (805) 664-7208 • Fax: (805) 664-7233
E-Mail Address: prosoft@prosoft-technology.com

