

# Installation Instructions

## Bulletin 1485A KwikLink™ Lite, Manual crimp tool

**IMPORTANT: SAVE THESE INSTRUCTIONS FOR FUTURE USE.**  
Refer to the product catalog pages for additional information.

### Safety Precautions

- The product does not provide a safety cover or any other safety devices. Use the product with sufficient care so that you do not pinch your fingers in the crimp section or between the handles.
- Do not disassemble or modify the product.
- Do not use the product for any purpose other than its intended purpose or applications specified in the user manuals.
- Do not drop the product or subject it to abnormal vibration or shock. These may result in malfunction.
- The product is a manual tool. Do not attach it to any machine or device that is not manually operated. Doing so may result in malfunction or damage.
- Use the product with care and be careful not to drop it on your foot.

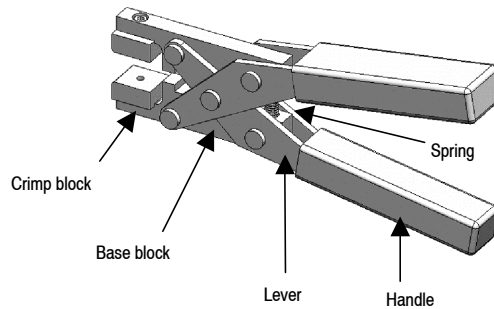
### Precautions for Correct Use

- Do not install the crimp tool in the following locations.
  - Locations subject to corrosive gas or flammable gas
  - Locations subject to excessive dust and dirt
  - Locations subject to oils, acids, or other chemicals
  - Locations directly subject to vibration or shock
- The crimp tool is set to a suitable bottom dead point (crimping height) before shipping from the factory. Discontinue use of the crimp tool immediately if it becomes loose or otherwise misaligned.
- After using the crimp tool, wipe off any dirt or foreign matter and store it in a dry location.
- Never use paint thinner or other organic solvents to clean the crimp tool. These may damage the crimp tool.

### Simple Manual Crimp Tool

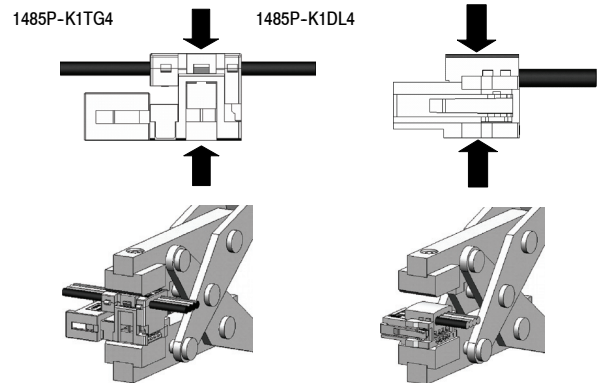
#### Part Names

1485A-KCrimp



#### Crimp Operation

1. Set the center of the connector cover (see arrows) in the center of the crimp block of the Crimp Tool.



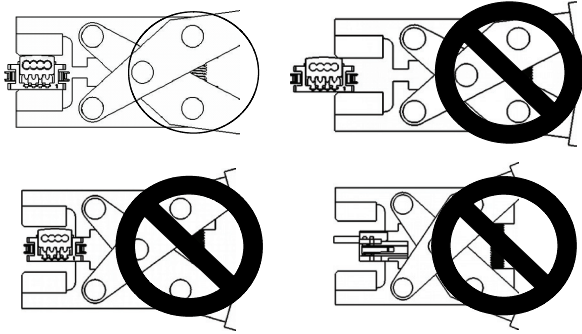
2. Crimp the connector until you hear the connector lock into place.

#### Note:

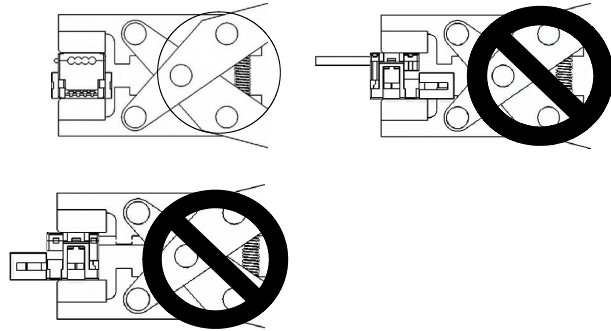
- Do not crimp the edge of the connector cover.
- Do not crimp at the back of the crimp block.
- Be sure to set the Connector in the correct orientation.

# Spare Allen-Bradley Parts

1485P-K1DL4—Drop Line Connector

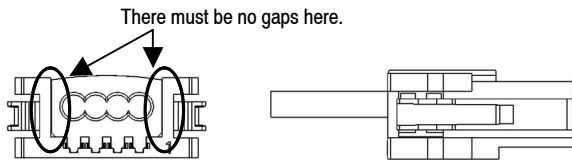


1485P-K1TG4—Trunk Line Connector

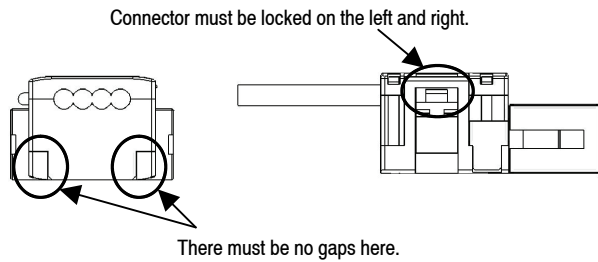


3. After completing the crimping operation, check the cable to be sure it has been crimped properly.

1485P-K1DL4—Drop Line Connector



1485P-K1TG4—Trunk Line Connector

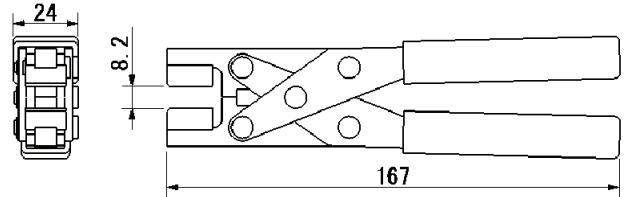


Basic Specifications

Catalog number	1485A-KCRIMP
Bottom dead point clearance	8.2 mm (0.32 in.)
Weight	Approx. 350 g (12.35 oz)
Dimensions (W×H×D)	167 × 130 × 24 mm (6.57 x 5.12 x 0.94 in.)

Dimensions

Closed



Open

