

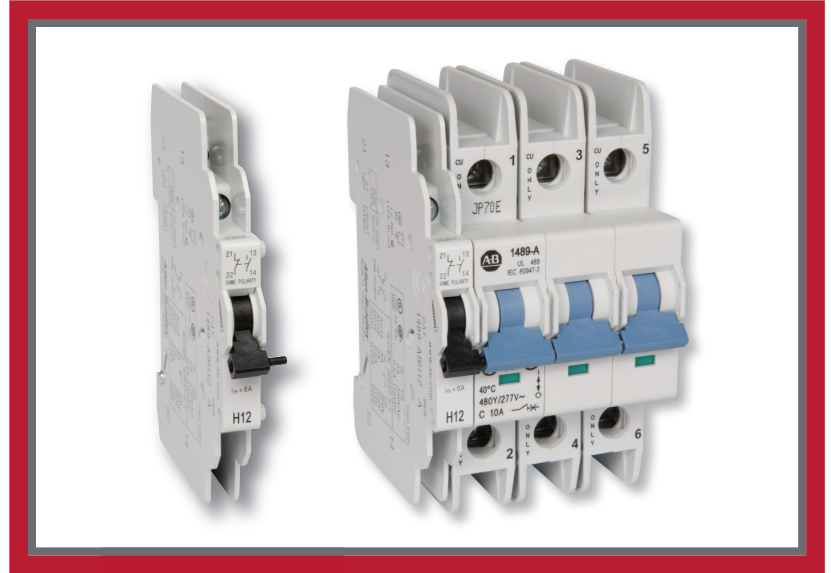
PRODUCT PROFILE

Bulletin 1489-ABH12 Auxiliary Contact

Maximum Circuit Breaker Rating 480Y/277V AC

Advantages

- Use of auxiliary contact permits circuit breaker to operate at a maximum voltage of 480Y/277V AC for UL/CSA applications
- Optional accessory module for Bulletin 1489 Circuit Breaker
- Compact module design saves space
- Simple mounting and assembly helps reduce installation time
- ON/OFF circuit breaker status monitoring



Overview

The Allen-Bradley® Bulletin 1489-ABH12 Auxiliary Contact is an accessory module for the Bulletin 1489 Circuit Breaker. This one-half width module may be assembled on a de-energized 1-pole, 2-pole, or 3-pole circuit breaker to provide a set of auxiliary contacts to monitor the ON/OFF status of the circuit breaker.

Use of the Bulletin 1489-ABH12 permits the maximum allowable Bulletin 1489 Circuit Breaker voltage of 480Y/277V AC. This is in comparison to the Bulletin 1489-AAHH3 and Bulletin 1489-AAHS3, which limit the circuit breaker rating to no more than 240V AC.

The Bulletin 1489-ABH12 offers “feed-through” contacts at 240V AC maximum (250V AC - IEC). Polarity must be observed.

Use of the Bulletin 1489-ABH12 permits the maximum allowable Bulletin 1489 Circuit Breaker voltage of 480Y/277V AC.

Product Ratings

Auxiliary Contact

UL 489	I_e	U_e	U minimum = 5VDC	
	2A	230VAC		
	0.5A	110VDC		
Maximum allowable circuit breaker voltage - 480Y/277VAC				

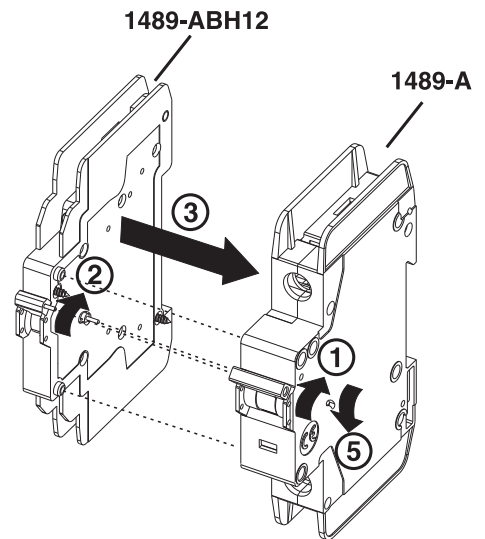
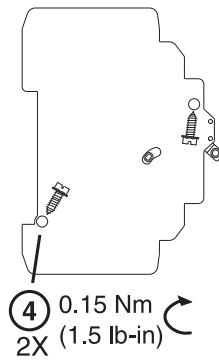
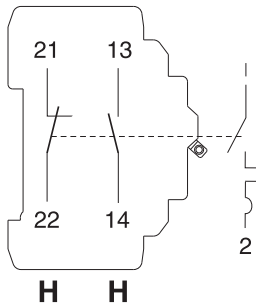
IEC/EN 60947-5-1	I_e	U_e	$I_{th} = 6A$	
	AC13 3A	250V		$U_i = 250VAC$
	AC15 2A	250V		$U_{imp} = 4.0kV$
	DC12 0.5A	110V		Pollution Degree: 2
	DC12 0.25A	220V		IP20
	U minimum = 5VDC			$\leq 6A \text{ gL, gG}$

Diagrams

Auxiliary Contact

1489-A ... + 1489-ABH12

1489-ABH12



Allen-Bradley and Rockwell Software are trademarks of Rockwell Automation, Inc.

www.rockwellautomation.com

Power, Control and Information Solutions Headquarters

Americas: Rockwell Automation, 1201 South Second Street, Milwaukee, WI 53204 USA, Tel: (1) 414.382.2000, Fax: (1) 414.382.4444

Europe/Middle East/Africa: Rockwell Automation, Vorstlaan/Boulevard du Souverain 36, 1170 Brussels, Belgium, Tel: (32) 2 663 0600, Fax: (32) 2 663 0640

Asia Pacific: Rockwell Automation, Level 14, Core F, Cyberport 3, 100 Cyberport Road, Hong Kong, Tel: (852) 2887 4788, Fax: (852) 2508 1846