



Extra Terminal Interface Modules

Modules d'interface pour bornes supplémentaires

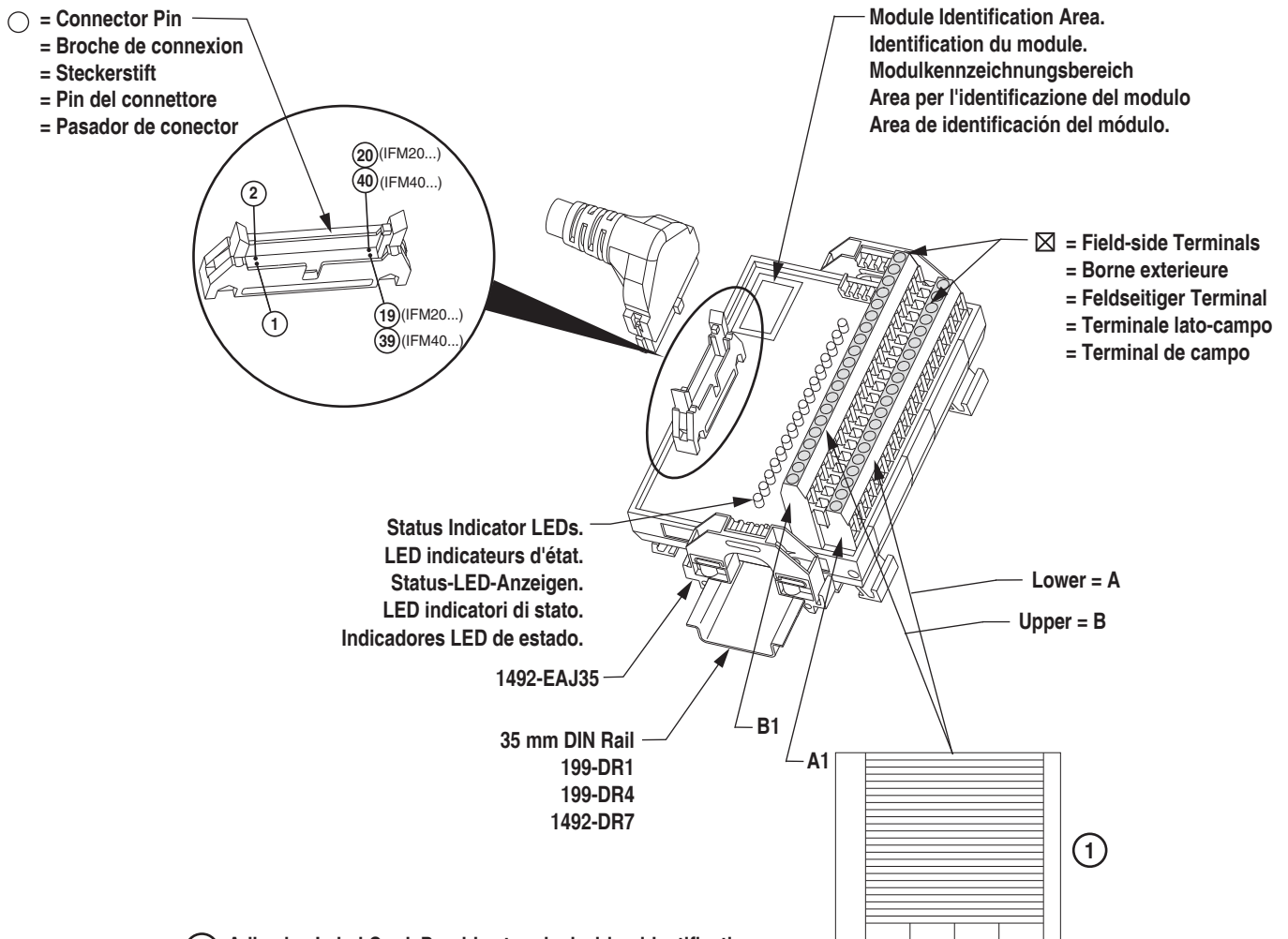
Schnittstellenmodule mit zusätzlichen Anschlußklemmen

Moduli di interfaccia con terminali supplementari

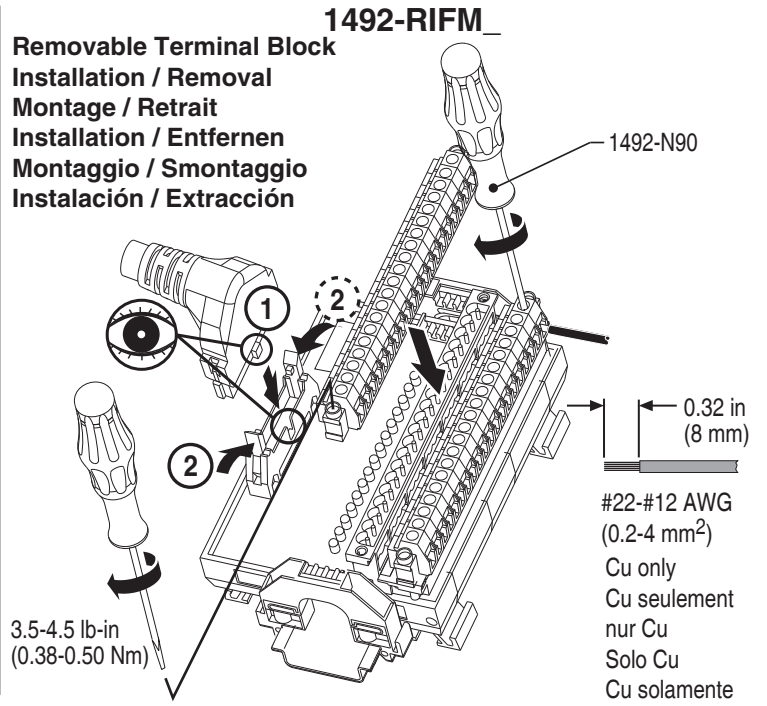
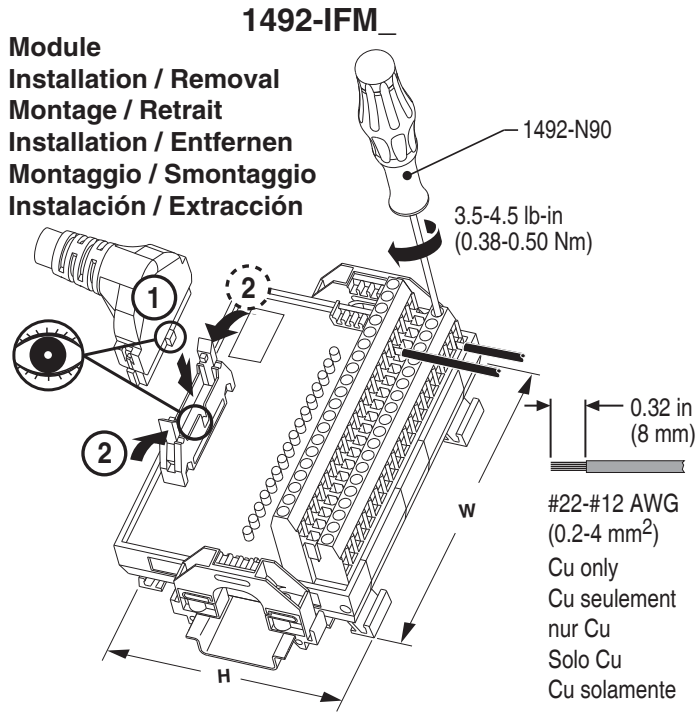
Módulos de interface con terminal adicional

(Cat 1492-IFM20F-2, -RIFM20F-2, -IFM20D24-2, -IFM20D24A-2, -IFM20D120-2, -IFM20D120A-2, -IFM20D240-2, -IFM20D240A-2, -IFM40F-2, -RIFM40F-2, -IFM40D24-2, -IFM40D24A-2, -RIFM40D24A-2, -IFM40D120-2, -IFM40D120A-2, -IFM20FH-2, -RIFM20FH-2, -IFM40FH-2, -RIFM40FH-2)

	WARNING	To prevent electrical shock, disconnect from power source before installing or servicing. FM Class 1, Div.2 requires device installation in a tool-accessible enclosure compliant with ANSI/ISA S82.
	AVERTISSEMENT	Avant le montage et la mise en service, couper l'alimentation secteur pour éviter toutes décharges. FM Classe 1, Div. 2 nécessite l'installation de l'équipement dans une armoire accessible aux interventions, conforme à ANSI/ISA S82.
	WARNUNG	Vor Installations- oder Servicearbeiten Strom-versorgung unterbrechen, um Elektroschocks zu vermeiden. FM-Klasse 1, Gruppe 2 erfordert die Installation des Gerätes in einem Gehäuse, das für Werkzeuge zugänglich ist und den Anforderungen gemäß ANSI/ISA S82 entspricht.
	AVVERTENZA	Per prevenire infortuni, togliere tensione prima dell'installazione o manutenzione. FM Classe 1, Divisione 2 richiede l'installazione del dispositivo in un alloggiamento con capacità di accesso per strumenti conforme allo standard ANSI/ISA S82.
	ADVERTENCIA	Desconéctese de la corriente eléctrica, antes de la instalación o del servicio, a fin de impedir sacudidas eléctricas. El requisito de FM (Factory Mutual) Clase 1, Div. 2, establece que el dispositivo debe instalarse en un envoltente que permita la introducción y uso de herramientas y cumpla con la norma ANSI/ISA S82.



- ① Adhesive Label Card. Provides terminal wiring identification.
 Carte étiquette adhésive. Identifie le câblage des bornes.
 Aufklebbare Etiketten zur Kennzeichnung der Klemmenverdrahtung.
 Scheda etichette adesive. Fornisce l'identificazione del cablaggio dei terminali.
 Tarjeta de etiquetas adhesivas. Proporciona identificación de cableado del terminal.



Cable Matrix
Matrice des câbles
Kabelmatrix
Matrice cavi
Matriz de cables

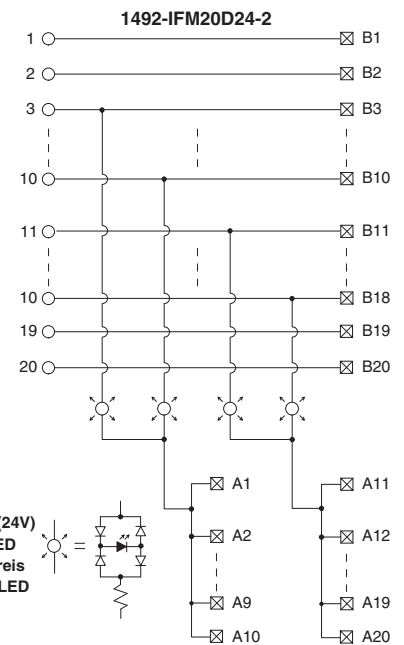
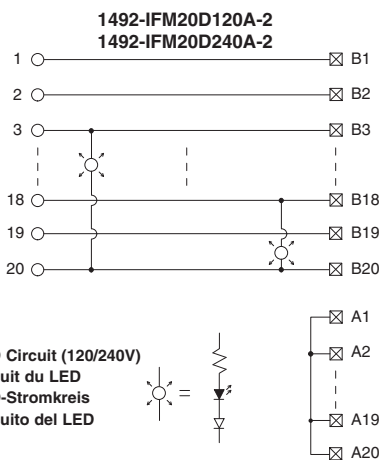
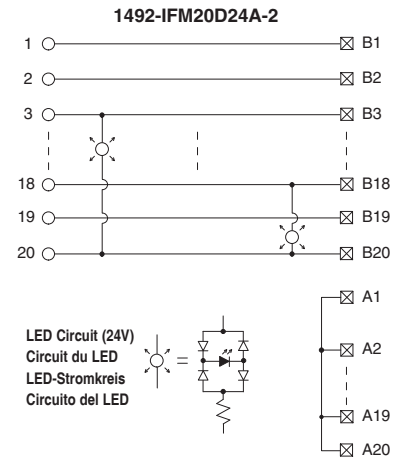
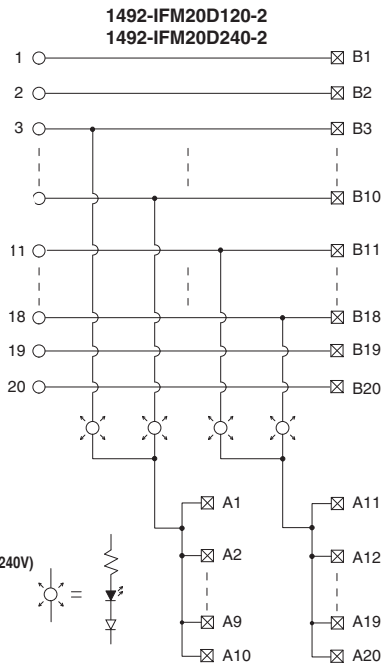
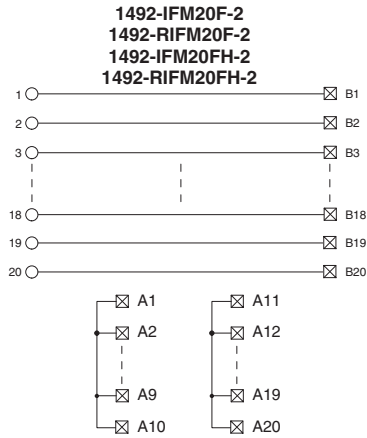
I/O Module Module E/S E/A-Modul Modulo I/O Módulo de E/S	1492-IFM20F-2 1492-RIFM20F-2② 1492-IFM20FH-2 1492-RIFM20FH-2②	1492-IFM20D24-2 ③	1492-IFM20D24A-2 ③	1492-IFM20D120-2 ③	1492-IFM20D120A-2 ③	1492-IFM20D240-2 ③	1492-IFM20D240A-2 ③
1746-IA16	-CABLE⊙A					-CABLE⊙A	
1746-IB16	-CABLE⊙B						
1746-IC16	-CABLE⊙B						
1746-IG16	-CABLE⊙E						
1746-IH16	-CABLE⊙B						
1746-IM16	-CABLE⊙A						-CABLE⊙A
1746-IN16	-CABLE⊙B						
1746-ITB16	-CABLE⊙B						
1746-ITV16	-CABLE⊙B						
1746-IV16	-CABLE⊙B						
1746-OA16	-CABLE⊙C						
1746-OB16	-CABLE⊙E						
1746-OB16E	-CABLE⊙E						
1746-OBP16	-CABLE⊙E						
1746-OG16	-CABLE⊙E						
1746-OV16	-CABLE⊙E						
1746-OVP16	-CABLE⊙E						
1746-OW16	-CABLE⊙D						
1756-IA8D	-CABLE⊙U⊙						
TC-IDX081	-CABLE⊙X⊙						
1756-IA16	-CABLE⊙X⊙						
TC-DA161	-CABLE⊙X⊙						
1756-IB16	-CABLE⊙X⊙						
TC-IDD161	-CABLE⊙X⊙						
1756-IC16	-CABLE⊙X⊙						
TC-IDE161	-CABLE⊙X⊙						
1756-IN16	-CABLE⊙X⊙						
1756-IV16	-CABLE⊙X⊙						
1756-OA8	-CABLE⊙U⊙						
TC-ODC081	-CABLE⊙U⊙						
1756-OA8D	-CABLE⊙U⊙						
TC-ODX081	-CABLE⊙U⊙						
1756-OA8E	-CABLE⊙U⊙						
1756-OA16	-CABLE⊙X⊙						
TC-ODA161	-CABLE⊙X⊙						
1756-OB8	-CABLE⊙U⊙						
TC-ODD081	-CABLE⊙U⊙						
1756-OB16E	-CABLE⊙X⊙						
TC-ODD161	-CABLE⊙X⊙						
1756-OV16E	-CABLE⊙X⊙						
1756-OC8	-CABLE⊙U⊙						
TC-ODE081	-CABLE⊙U⊙						
1756-ON8	-CABLE⊙U⊙						
1769-IA16	-CAB⊙A69⊙						
1769-IM12	-CAB⊙G69⊙						
1769-IQ16	-CAB⊙B69⊙						
1769-IQ16F	-CAB⊙B69⊙						
1769-OB8	-CAB⊙L69⊙						
1769-OA8	-CAB⊙C69⊙						
1769-OB16	-CAB⊙E69⊙						
1769-OV16	-CAB⊙E69⊙						
1769-OW8	-CAB⊙C69⊙						
1769-OA16	-CAB⊙M69⊙						
1769-OW16	-CAB⊙M69⊙						
1771-AD	-CABLE⊙F						
1771-IBD	-CABLE⊙F						
1771-CD	-CABLE⊙F						
1771-IGD	-CABLE⊙F						
1771-IMD	-CABLE⊙F						
1771-IND	-CABLE⊙F						
1771-OAD	-CABLE⊙FF						
1771-OB	-CABLE⊙FF						
1771-OGD	-CABLE⊙F						
1771-OMD	-CABLE⊙F						
1771-OND	-CABLE⊙FF						
1764-24AWA	-CAB⊙C64						
1764-24BWA	-CAB⊙C64						
1764-28BWB	-CAB⊙F64						
1764-24AWA	-CAB⊙A64						
1764-24BWA	-CAB⊙A64						
1764-28BWB	-CAB⊙B64						

① Cables are available in 0.5m, 1.0m, 2.5m and 5.0m lengths (005=0.5m; 010=1.0m; 025=2.5m; 050=5.0m). Custom length cables also available. Contact local Sales Office for more information.
 Câbles disponibles en 0,5m, 1,0m, 2,5m et 5,0m de longueur (005=0,5m; 010=1,0m; 025=2,5m; 050=5,0m). Câbles sur mesure à la demande. Contactez le bureau le plus proche.
 Verfügbare Kabellängen 0,5m, 1,0m, 2,5m und 5,0m (005=0,5m; 010=1,0m; 025=2,5m; 050=5,0m). Anwenderspezifische Längen stehen ebenfalls zur Verfügung. Kontaktieren Sie bitte Ihr lokales Vertriebsbüro für weitere Informationen.
 I cavi sono disponibili in lunghezze di 0,5m, 1,0m, 2,5m e 5,0m (005=0,5m; 010=1,0m; 025=2,5m; 050=5,0m). Sono disponibili anche cavi su misura. Per ulteriori informazioni, contattare l'ufficio vendite locale.
 Cables disponibles en longitudes de 0,5m, 1,0m, 2,5m, 5,0m (005=0,5m; 010=1,0m; 025=2,5m; 050=5,0m). Hay disponibles cables de varias longitudes. Para más información comuníquese con la oficina de ventas.

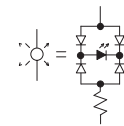
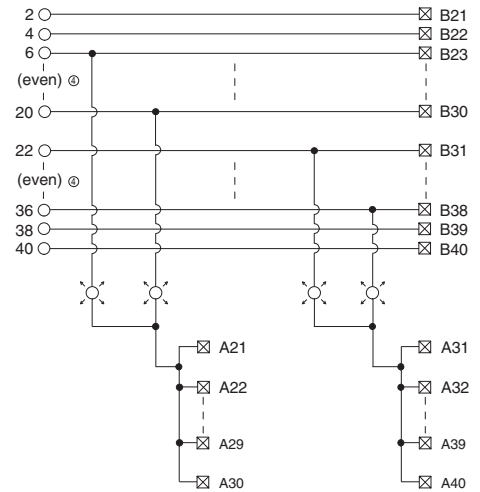
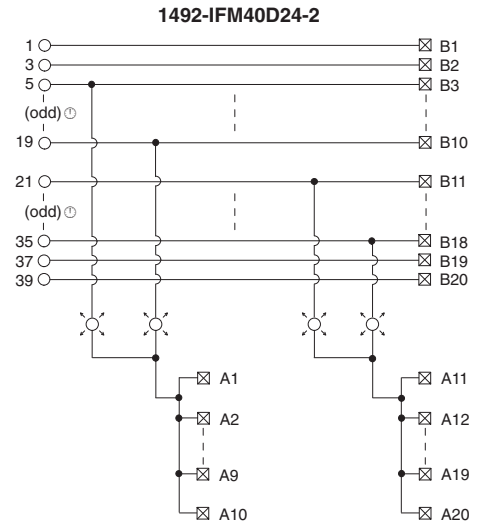
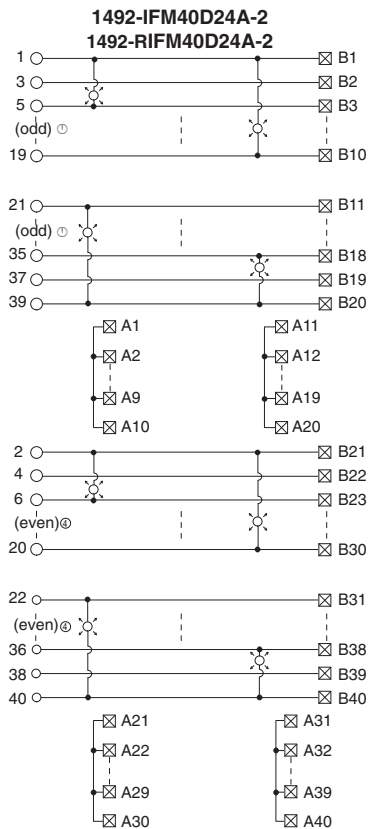
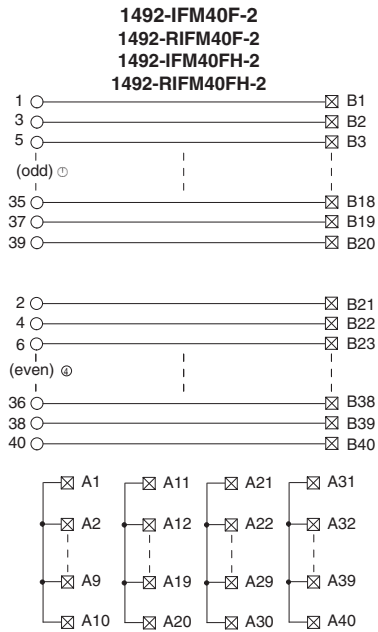
- ② Supports Removable Terminal Block (RTB). Compatible screw style plug, 1492-RTB20N (pkg. qty. 2). Compatible push-in style plug 1492-RTB20P (pkg. qty. 2). Order plugs separately.
- ③ Cable is limited for use within the control panel unless it is run through conduit. Cable is ITC (Instrumentation Tray Cable) rated.
- ④ Cables are also available in 26 AWG versions. Catalog numbers include a 26 at the end. (Example: 1492-CABLE⊙X26)

I/O Module Module E/S E/A-Modul Modulo I/O Módulo de E/S	1492-IFM40F-2 1492-RIFM40F-2② 1492-IFM40FH-2 1492-RIFM40FH-2②	1492-IFM40D24-2 ③	1492-IFM40D24A-2 ③	1492-IFM40D120-2 ③	1492-IFM40D120A-2 ③
1746-IB32	-CABLE⊙H				
1746-IV32	-CABLE⊙H				
1746-OB32	-CABLE⊙H				
1746-OB32E	-CABLE⊙H				
1746-OV32	-CABLE⊙H				
1756-IB16D	-CABLE⊙Y⊙				
TC-IDX161	-CABLE⊙Y⊙				
1756-IB32	-CABLE⊙Z⊙				
TC-IDD321	-CABLE⊙Z⊙				
1756-IV32	-CABLE⊙Z⊙				
1756-OB16D	-CABLE⊙Y⊙				
TC-ODX161	-CABLE⊙Y⊙				
1756-IA32	-CABLE⊙Z⊙				
1756-OB32	-CABLE⊙Z⊙				
TC-ODD321	-CABLE⊙Z⊙				
1756-OV32E	-CABLE⊙Z⊙				
1769-IQ32	-CAB⊙J69⊙				
1769-IQ32T	-CABLE⊙H				
1769-OB32	-CAB⊙K69⊙				
1769-OB32T	-CABLE⊙H				
1769-OV32T	-CABLE⊙H				
1771-IAN	-CABLE⊙J				
1771-IBN	-CABLE⊙J				
1771-IVN	-CABLE⊙K				
1771-OAN	-CABLE⊙L				
1771-OBN	-CABLE⊙L				
1771-OVN	-CABLE⊙L				
1771-OW16	-CABLE⊙R				
1771-OWN	-CABLE⊙L				
1771-OWNA	-CABLE⊙L				
1762-L40AWA	-CAB⊙B62				
1762-L40BWA	-CAB⊙B62				
1762-L40BWB	-CAB⊙B62				
1762-L40AWA	-CAB⊙A62				
1762-L40BWA	-CAB⊙A62				
1762-L40BWB	-CAB⊙A62				
1794-IB16D	-CAB⊙B94				
1794-IB16XOB16F	-CAB⊙B94				
1794-IB32	-CAB⊙B94				
1794-OB32P	-CAB⊙B94				
1794-IB16	-CAB⊙A94				
1794-IB8	-CAB⊙A94				
1794-IB10XOB6	-CAB⊙A94				
1794-IV16	-CAB⊙A94				
1794-OB8	-CAB⊙A9				
1794-OB8EP	-CAB⊙A9				
1794-OB16	-CAB⊙A9				
1794-OB16P	-CAB⊙A9				
1794-OV16	-CAB⊙A94				
1794-OV16P	-CAB⊙A94				
1794-OW8	-CAB⊙A94				
PowerFlex 700H with 20C-DA1-A Board	1492-CAB⊙A7H				
PowerFlex 700H with 20C-DA1-B Board	1492-CAB⊙B7H				
PowerFlex 700S	1492-CAB⊙A7S				

Pinout
Brochage
Anschlußbelegung
Disposizione dei piedini
Esquema de pins



Pinout
Brochage
Anschlußbelegung
Disposizione dei piedini
Esquema de pins

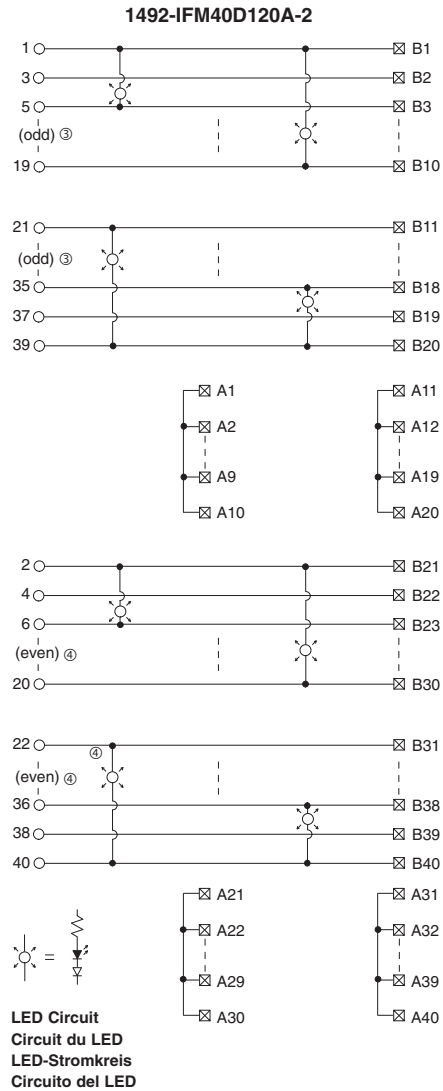
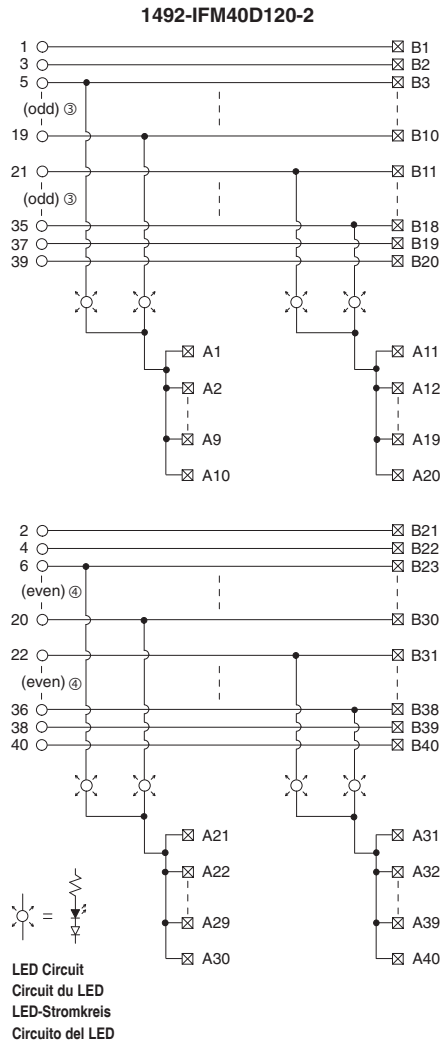


LED Circuit
Circuit du LED
LED-Stromkreis
Circuito del LED

- ⓐ Odd
Impair
Ungerade
Dispari
Impar
- ⓑ Even
Pair
Gerade
Pari
Par

AB Parts

Pinout
Brochage
Anschlußbelegung
Disposizione dei piedini
Esquema de pins



- | | |
|----------|--------|
| ③ Odd | ④ Even |
| Impair | Pair |
| Ungerade | Gerade |
| Dispari | Pari |
| Impar | Par |

I/O Wiring Data

NOTICE

Wiring information for your I/O module, AIFM module and cable (e.g. wiring diagram and pinouts) are available online at www.rockwellautomation.com/en/e-tools. To obtain information follow this procedure.

- 1) In the Catalog Number BOX at the above online site type in the catalog number of the IFM, AIFM, etc. module you are using and click on Submit.
- 2) At the next screen displayed, click on the Modify key (lower left of screen).
- 3) Click on the areas that indicate NO SELECTION and enter your specific configuration information (e.g. I/O platform, I/O MODULE, ETC.).
NOTE: To obtain the wiring diagram, you must select the Pre-Wired Cable Connector selection.
- 4) Configure your 1492 cable by filling in the NO SELECTION areas.
- 5) Click on the ACCEPT key for the configured 1492 cable. At the next screen click on ACCEPT for the 1492 module.
- 6) The next screen (Configuration Results) displays the results of your specific configuration. The "supplementary Documents" column contains I/O wiring information for the configuration (e.g. I/O Wiring Diagrams).

Specifications Spécifications

Technische Daten Specifiche

Especificaciones

Catalog No. Référence Bestell-Nr. N. Catalogo Referencia	Voltage Range Tension Spannung Tensione Voltaje	Current/Circuit Courant/Circuit Strom/Schaltkreis Corrente/circuito Intensidad/circuito	Current/Module Courant/Module Strom/Modul Corrente/modulo Intensidad/módulo	Indicator Circuit Current Courant circuit voyants Strom, Anzeigeschaltkreis Corrente circuito indicatori Intensidad del circuito de indicadores	Maximum Recurring Peak Voltage ② Tension de crele réurrente maximale Maximale periodische Höchstspannung Tensione massima di cresta ricorrente Voltaje de cresta iterativo máximo
1492-IFM20F-2	0-264 VAC/DC	2 Amps	12 Amps	N/A	600 Vp②
1492-RIFM20F-2	0-264 VAC/DC			N/A	
1492-IFM20FH-2	0-132 VAC/DC			N/A	
1492-RIFM20FH-2	0-132 VAC/DC			2.0mA	
1492-IFM20D24-2	10-30 VAC/DC			2.0mA	
1492-IFM20D24A-2	10-30 VAC/DC			2.5mA	
1492-IFM20D120-2	85-132 VAC			2.5mA	
1492-IFM20D120A-2	85-132 VAC			2.5mA	
1492-IFM20D240-2	168-264VAC			2.5mA	
1492-IFM20D240A-2	168-264VAC			N/A	
1492-IFM40F-2	0-132 VAC/DC			N/A	
1492-IFM40FH-2	0-132 VAC/DC			N/A	
1492-RIFM40FH-2	0-132 VAC/DC			N/A	
1492-RIFM40F-2	0-132 VAC/DC			N/A	
1492-IFM40D24-2	10-30 VAC/DC			2.0mA	
1492-IFM40D24A-2	10-30 VAC/DC			2.0mA	
1492-RIFM40D24A-2	10-30 VAC/DC			2.0mA	
1492-IFM40D120-2	85-132 VAC			2.5mA	
1492-IFM40D120A-2	85-132 VAC			2.5mA	

Ratings when used with 1764-24AWA, and 1764-24BWA outputs. (For inputs use 2 Amps current per circuit.)

1492-IFM20F-2	0-264 VAC	Out 0 - 3, 2 Amps	12 Amps	NA	600 Vp②
1492-RIFM20F-2	10-125 VDC	Out 4 - 11, 1 Amp			

Ratings when used with 1764-28BXB outputs. (For inputs use 2 Amps current per circuit.)

1492-IFM20F-2	0-264 VAC	Out 0 - 1, 2 Amps	12 Amps	NA	600 Vp②
1492-RIFM20F-2	10-125 VDC	Out 8 - 11, 1 Amp			
	24 VDC	Out 2 - 7, 0.5 Amps			

Ratings when used with 1762-L40AWA, and 1762-L40BWA outputs. (For inputs use 2 Amps current per circuit.)

1492-IFM40F-2	0-264 VAC	Out 0 - 3, 2 Amps	12 Amps	NA	600 Vp②
1492-RIFM40F-2	10-125 VDC	Out 4 - 15, 1 Amp			

Ratings when used with 1762-L40BXB outputs. (For inputs use 2 Amps current per circuit.)

1492-IFM40F-2	0-264 VAC	Out 0, 1, 10, 11, 2 Amps	12 Amps	NA	600 Vp②
	10-125 VDC	Out 12 - 15, 1 Amp			
	24 VDC	Out 2 - 9, 0.5 Amps			

Catalog No. Référence Bestell-Nr. N. Catalogo Referencia	Operating Temperature Range Plage températures de fonctionnement Betriebsbereich Limiti temperatura di funzionamento Rango de temperatura de funcionamiento	Operating Humidity Humidité relative Betriebsluftfeuchtigkeit Umidità di esercizio Humedad operativa	Approx. Shipping Weight Poids d'embarquement approximatif Ungefähres Versandgewicht Peso approssimativo del carico Peso aproximado al momento de embarque	Dimensions Dimensions Abmessungen Dimensioni Dimensiones			Standards Normes Standards Standard Estándares
				Width	Height	Depth	
1492-IFM20F-2, -RIFM20F-2	0° C - 60° C	5 - 95 % ③	0.67 lb. (305 g.)	4.33 in. (110mm)Ⓞ	3.27 in. (83mm)	2.78 in. (70.5mm)	cULus (File: E10314, Guide No. NRAG) Suitable for use in Class 1 Div 2 Groups A, B, C and D Hazardous and Non-Hazardous Locations. Temperature Code = T3C at 60°C ④ CE: Compliant for all applicable directives FM Class 1 Div 2 Groups A, B, C and D Temperature Rating T3C = 60°C (I.I. 3000590)
1492-IFM20FH-2, -RIFM20FH-2 ⑤				4.72 in. (120mm)	2.78 in. (70.5mm)		
1492-IFM20D24-2				4.33 in. (110mm)	3.27 in. (83mm)		
1492-IFM20D24A-2				4.33 in. (110mm)	3.27 in. (83mm)		
1492-IFM20D120-2				4.33 in. (110mm)	3.27 in. (83mm)		
1492-IFM20D120A-2				4.33 in. (110mm)	3.27 in. (83mm)		
1492-IFM20D240-2				4.33 in. (110mm)	3.27 in. (83mm)		
1492-IFM20D240A-2				4.33 in. (110mm)	3.27 in. (83mm)		
1492-IFM40F-2, -RIFM40F-2				8.27 in. (210mm)Ⓞ	3.27 in. (83mm)		
1492-IFM40FH-2, -RIFM40FH-2 ⑤			9.05 in. (230mm)	2.78 in. (70.5mm)			
1492-IFM40D24-2			8.27 in. (210mm)	3.27 in. (83mm)			
1492-IFM40D24A-2, -RIFM40D24A-2			8.27 in. (210mm)Ⓞ	3.27 in. (83mm)			
1492-IFM40D120-2			8.27 in. (210mm)	3.27 in. (83mm)			
1492-IFM40D120A-2			8.27 in. (210mm)	3.27 in. (83mm)			

- ② For transients > 600 Vp use a UL recognized suppression device rated at 2.5 kV withstand.
Pour des transitoires > 600 Vp utilisez un dispositif de suppression certifié UL à 2,5 kV nominal de tenue.
Für Einschaltstöße > 600 Vp verwenden Sie einen UL anerkannten Entstörger, der bewertet wurde bei 2,5 kV standzuhalten.
Per transitori > 600 Vp usare dispositivo di soppressione riconosciuto da UL capace di sopportare 2,5 kV.
Para transitorios > 600 Vp use un dispositivo de supresión reconocido UL clasificado con 2,5 kV.

- ③ Non-condensing
Sans condensation
Nicht kondensierend
Senza condensa
sin condensación

- ④ Power, input and output (I/O) wiring must be in accordance with Class 1 Division 2 wiring methods - Article 501-10(B)(1) of the National Electric Code.



WARNING

Explosion Hazard - substitution of components may impair suitability for Class I Division 2.
Explosion Hazard - Do Not Disconnect Equipment unless power has been switched off or the area is known to be Non-Hazardous.

- ⑤ Add 0.39 in. to the width dimension for 1492-Rxx type modules.

- ⑥ No FM certification for this type of modules.

SURGE SUPPRESSION follow the literature recommendations of the PLC module being used.

La section **SUPPRESSION DES SURTENSIONS** se trouve à la suite de la littérature qui contient les recommandations relatives au module PLC utilisé.

ÜBERSpannungsschutz Bitte beachten Sie die Dokumentationsempfehlungen für das jeweils benutzte SPS-Modul.

Per la **SOPPRESSIONE DEI PICCHI TEMPORANEI**, seguire le istruzioni riportate nella documentazione in dotazione al Modulo PLC utilizzato.

SUPRESIÓN DE SOBRETENSIÓN, siga las recomendaciones indicadas en la documentación del módulo PLC respectivo.

Reference Publications: Refer to 1770-4.1 and appropriate PLC I/O module installation manual.

