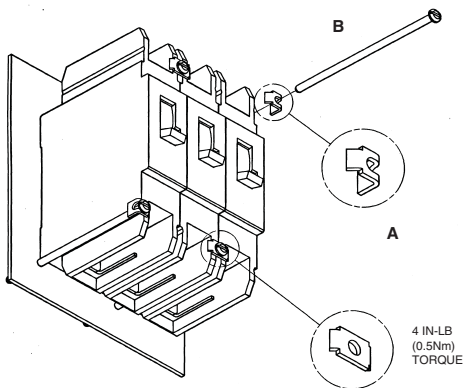




PANEL MOUNTING INSTRUCTIONS FOR 1492-MCC CIRCUIT BREAKERS

1492-AMCP2
KIT CONTENTS
4 SCREWS
4 LOCK WASHERS
2 "A" BRACKETS
2 "B" BRACKETS



ASS'Y ILLUSTRATION ONE ONE POLE BREAKERS

| TYPE OF BREAKER | # OF BREAKER | DRILLING PATTERN | ASSEMBLY INSTRUCTIONS | QUANTITY REQUIRED | | |
|-----------------|--------------|------------------|-----------------------|-------------------|--------------|--------------|
| | | | | SCREWS & WASHERS | "A" BRACKETS | "B" BRACKETS |
| ONE POLE | 3 | FIG 1 | ILL. ONE | 4 | 2 | 2 |
| | 2 | | | 3 | 2 | 1 |
| | 1 | | | 2 | 2 | NONE |
| TWO POLE | 2 | FIG 2 | NONE SHOWN | 4 | NONE | NONE |
| | 1 | | | 2 | NONE | NONE |

CAT MADE IN U.S.A.

1492-AMCP2

SER

A

1

KIT



1 07 81180 66668 8

**PANEL MOUNTING
HARDWARE**

DRILLING PATTERNS

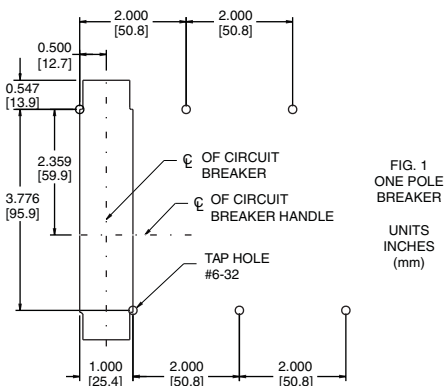


FIG. 1
ONE POLE
BREAKER
UNITS
INCHES
(mm)

FIG. - 1 (1POLE)

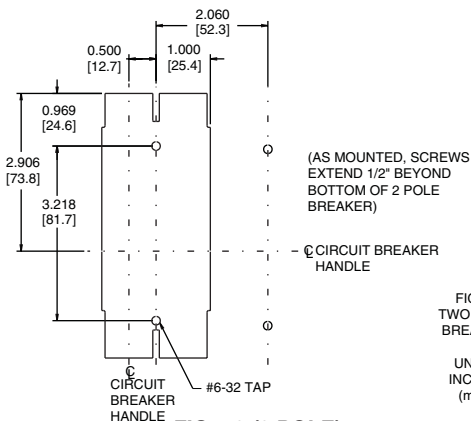


FIG. 2
TWO POLE
BREAKER
UNITS
INCHES
(mm)

FIG. - 2 (2 POLE)