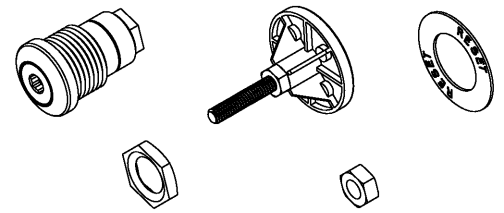




# Adjustable External Reset Kits

(Cat 1493-N21: for use with Type 1, 3R,  
4 & 12 Painted Metal Enclosures)

(Cat 1493-N22: for use with Type 4/4X  
Stainless Steel Enclosures)



## Installation

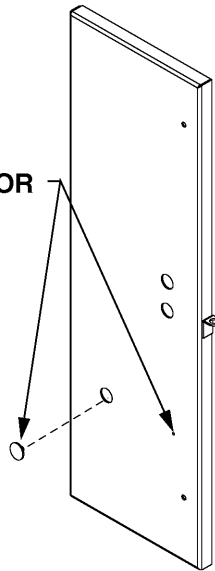


**ATTENTION:** To prevent electrical shock, disconnect from power source before installing or servicing. Install in suitable enclosure. Keep free from contaminants.

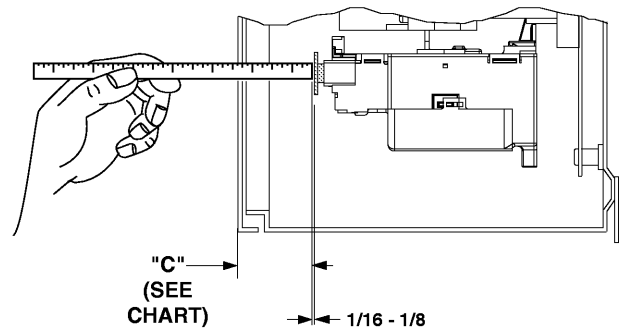
## Installation of Reset Button Sub-Assembly to Door

1

REMOVE HOLE PLUG OR  
CUT .765 DIA. HOLE



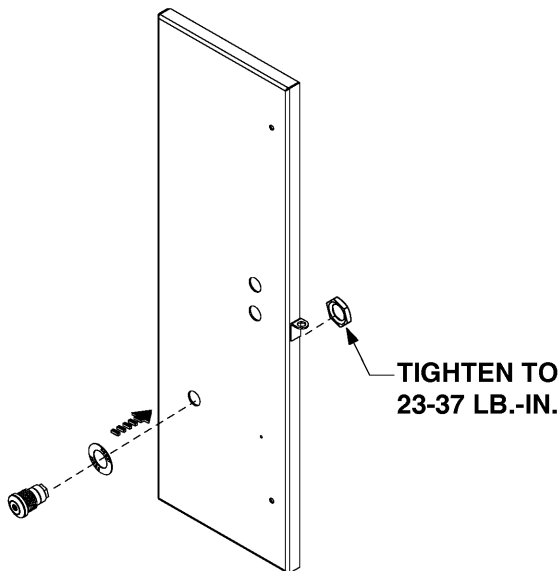
2



"C"  
(SEE  
CHART)

1/16 - 1/8

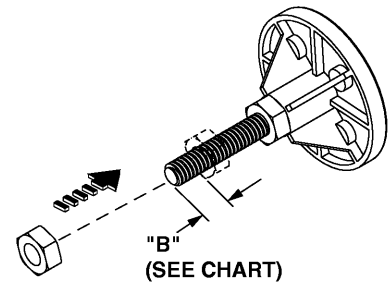
3



TIGHTEN TO  
23-37 LB.-IN.

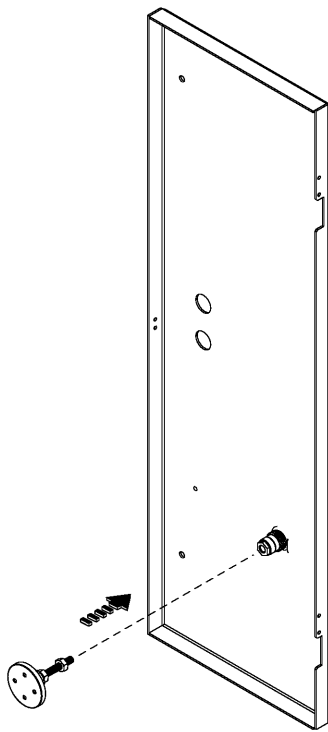
4

ASSEMBLE HEX NUT TO SHAFT

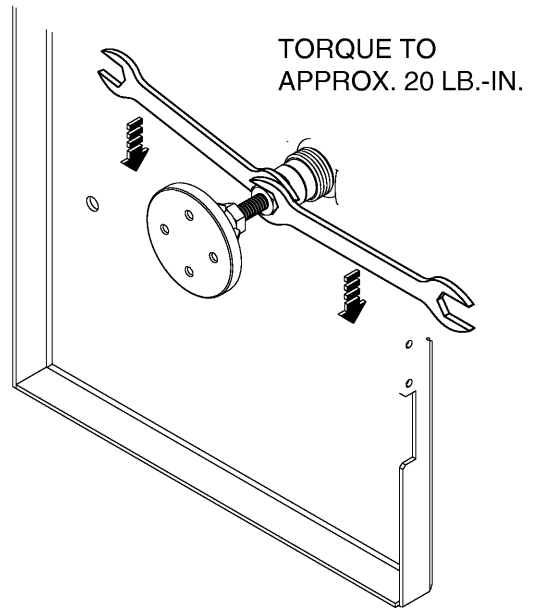


"B"  
(SEE CHART)

**5**

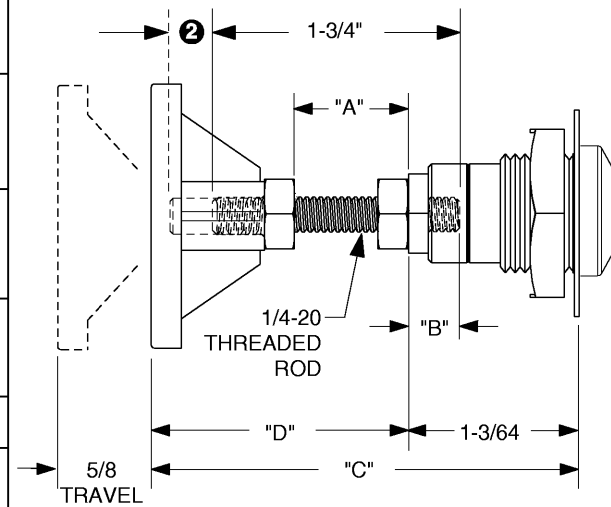


**6**



### Reset Adjustment

ENCLOSURE DIMENSIONS H x W x D	ADJUST LENGTH "A"	THREAD ENG. "B"	LENGTH "C" ①	(C-1-3/64) LENGTH "D"	BUL. NO.	NEMA SIZE
27" x 10" x 8"	1-1/8	1/4	2-15/16	1-57/64	512	0-1-2
					513	
					506X	
					507X	
30" x 20" x 9"	1-1/8	1/4	2-15/16	1-57/64	512M	1-2
					513M	
					1232X	
					1233X	
30" x 20" x 9"	1	1/4	2-13/16	1-49/64	506	0-1-2
					507	
					522E-F-G	
					523E-F-G	
50" x 22" x 10"	23/32	13/32	2-17/32	1-29/64	512	3
					513	
					1232X	
					1233X	
56" x 30" x 11"	23/32	13/32	2-17/32	1-29/64	512	5
					513	
					1232X	
					1233X	
50" x 22" x 10"	19/32	17/32	2-13/32	1-21/64	506	3
					507	
50" x 22" x 10"	3/8	3/4	2-3/16	1-9/64	512	4
					513	
					1232X	
					1233X	
50" x 22" x 10"	1/4	7/8	2-1/16	1-1/64	506	4 <sup>②</sup>
					507	
					522E-F-G	
					523E-F-G	
56" x 30" x 11"	---	7/8	1-13/16	49/64	506	5 <sup>②</sup>
					507	
					523E-F-G	



① FOR RESET LENGTHS GREATER THAN 3" ("C"), OBTAIN A 1/4-20 THREAD ROD AND CUT TO LENGTH.

② THESE APPLICATIONS MAY REQUIRE ADDITIONAL ADJUSTMENT OF THE THREADED ROD INTO THE RESET OPERATOR.