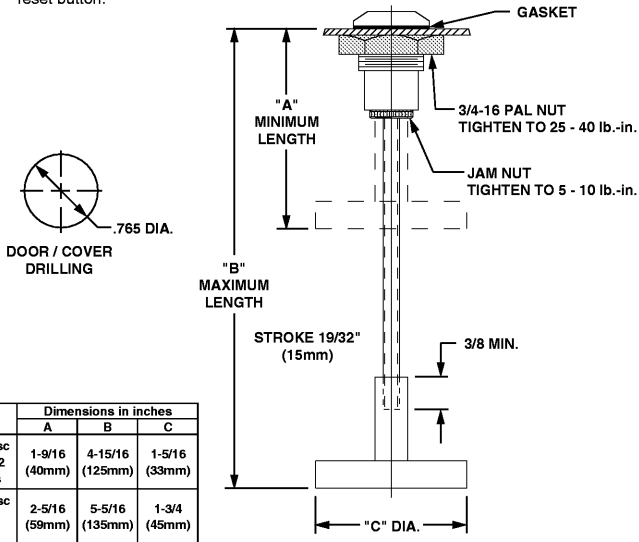


INSTRUCTIONS

Adjustable Overload Relay Reset Button Catalog No. 1493-N2(B)

Included with this kit are two reset discs. The small diameter disc is for use with starter Sizes 00, 0, 1, 2 and 5. The large diameter disc is for Sizes 3 and 4 starters. See illustration below for assembly of adjustable reset button.



42052-015-01(A)

Printed in U.S.A.

Rockwell Automation