



QUICK INSTALLATION GUIDE 600A Disconnect Switch

(Cat 1494V-DS600--Series D)

(For more details reference Installation Instruction Sheet 42052-183-01)

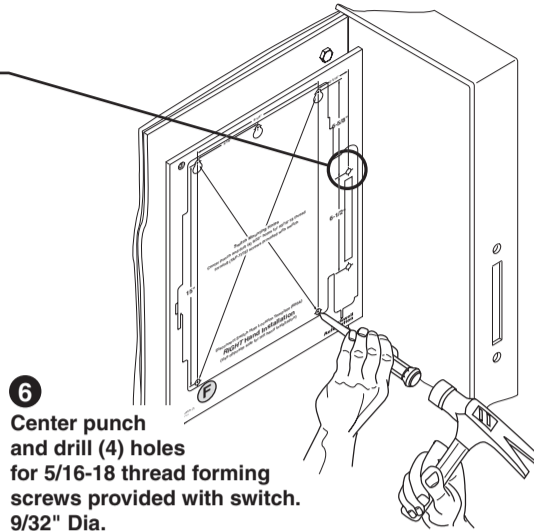
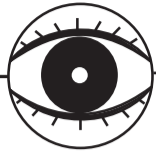
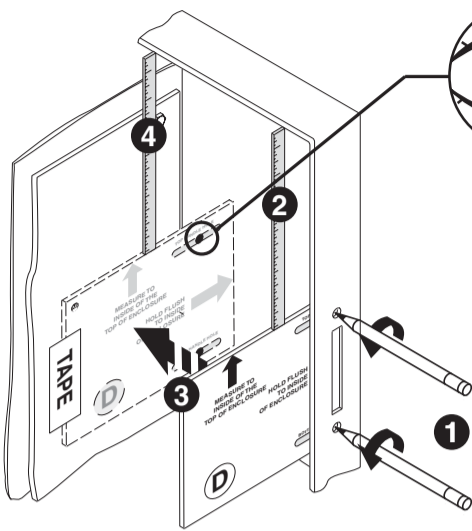


ATTENTION: To prevent electrical shock, disconnect from power source before installing or servicing. Follow NFPA 70E requirements. Install in suitable enclosure. Keep free from contaminants.

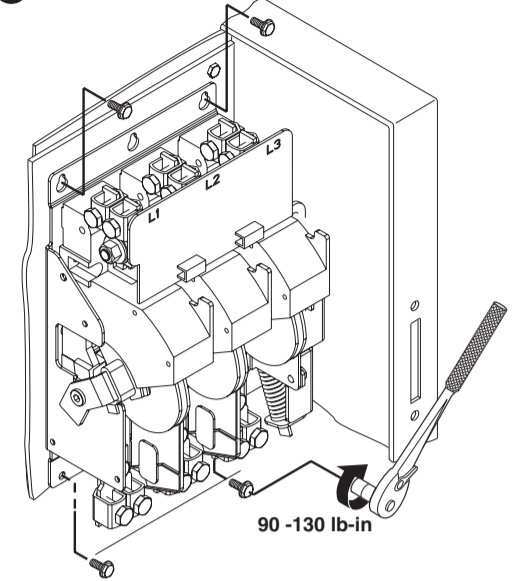
1 Disconnect Switch Installation (Right hand installation shown. For left hand installation follow similar procedure.)

Use template (D) to locate handle holes on mounting plate. 5 Overlay template (F) (600 A) over (D).

7 Install disconnect switch.

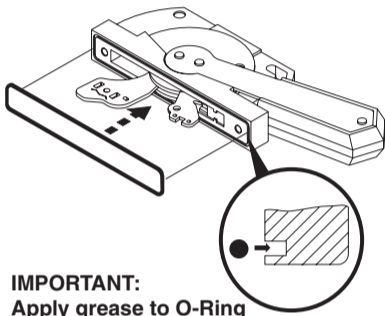


6 Center punch and drill (4) holes for 5/16-18 thread forming screws provided with switch. 9/32" Dia.



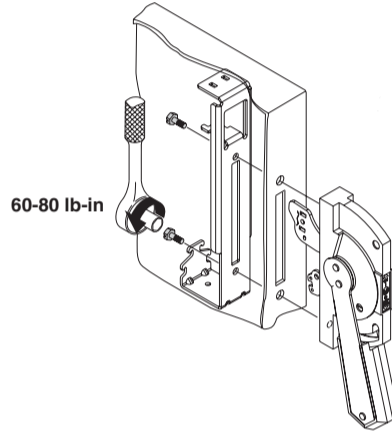
2 Disconnect Handle Installation

1 Install gasket.

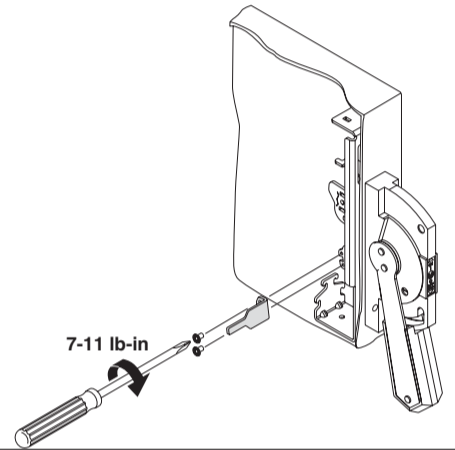


IMPORTANT: Apply grease to O-Ring to retain into handle groove.

2 Install handle and spring bracket.

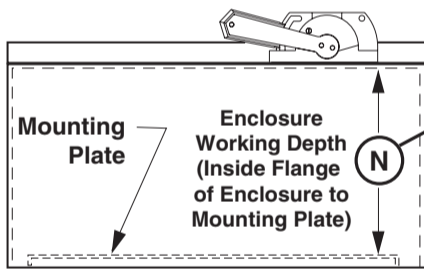


3 Install deflector lever.

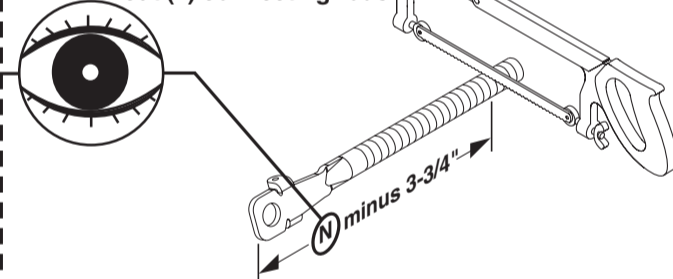


3 Cutting Connecting Rod (Cut (2) Connecting Rods; first rod connects the handle to the switch, second rod provides stiffening for the enclosure flange)

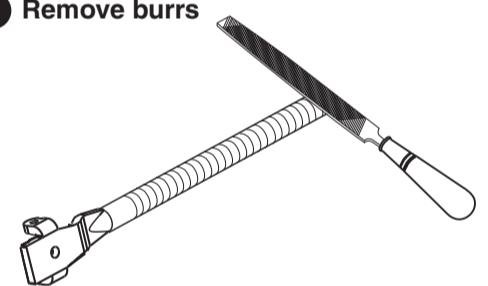
1 Measure working depth of enclosure.



2 Measure, mark and cut (2) connecting rods

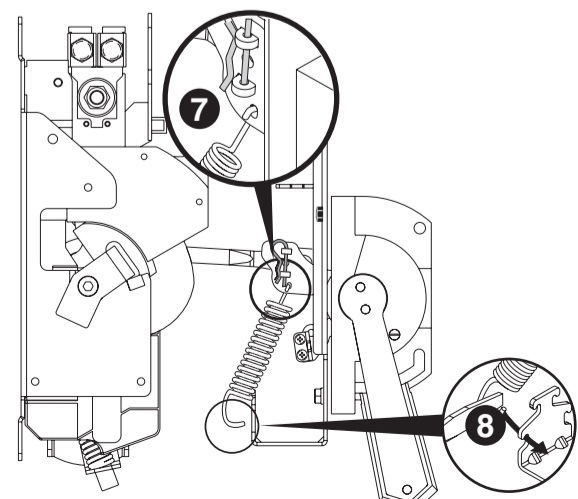
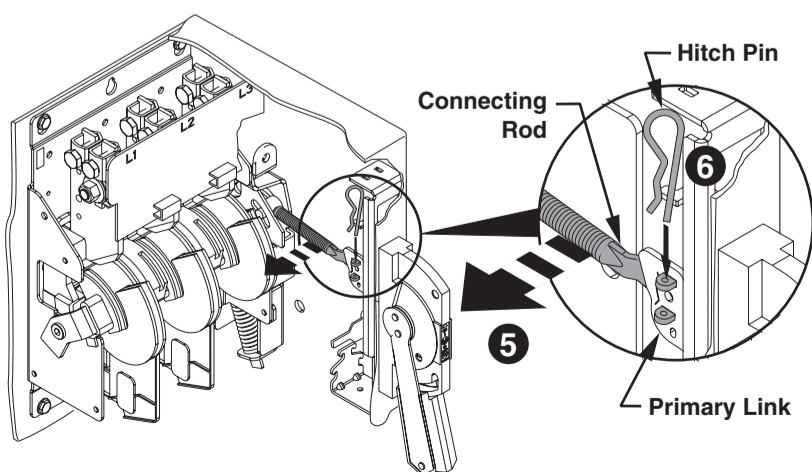
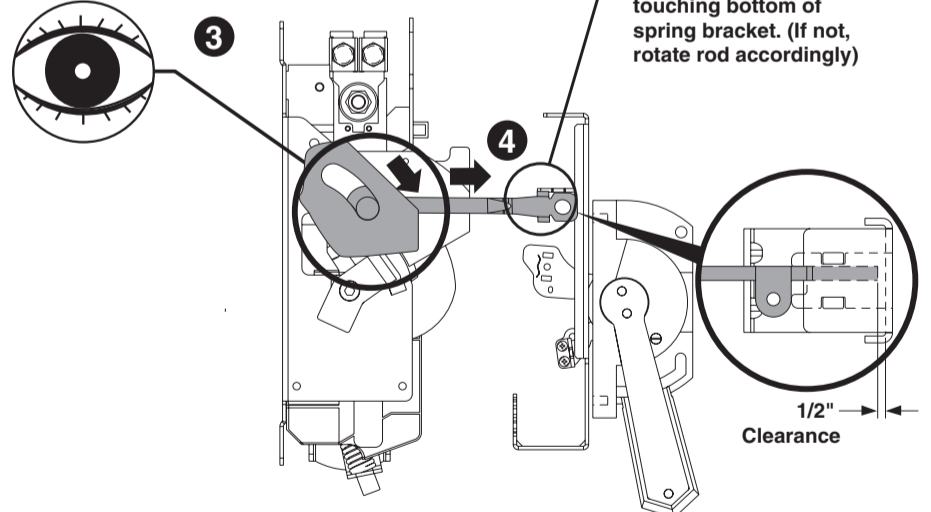
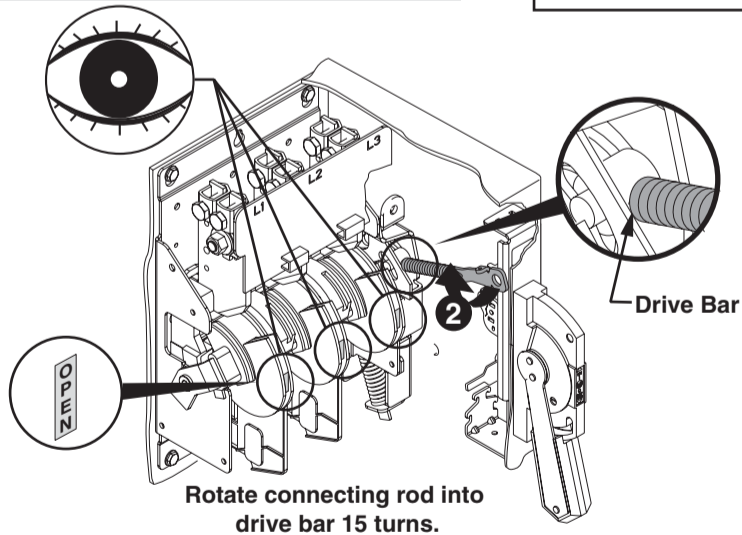


3 Remove burrs



4 Connecting Rod Installation

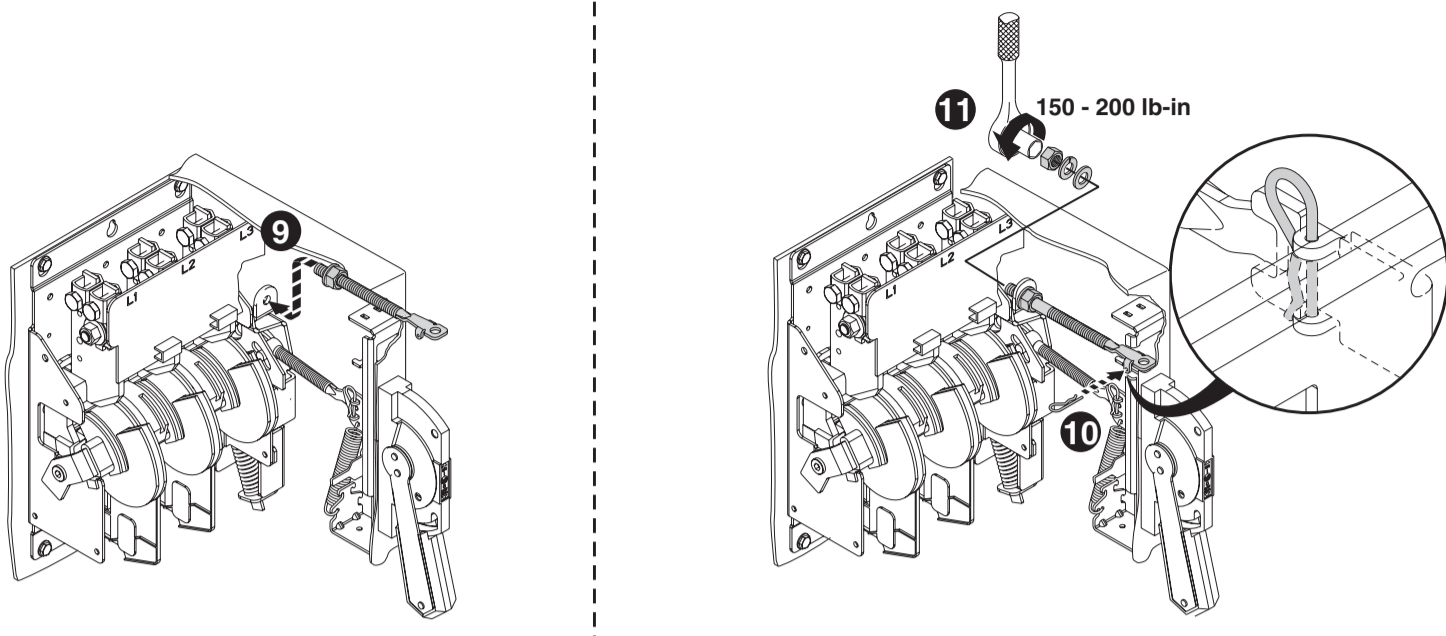
First rod connects the handle to the switch



Continued on Next Page

4 Connecting Rod Installation

Second rod provides stiffening for the enclosure flange



 **ATTENTION: CHECK FOR PROPER OPERATION**

5 Trailer Fuse Block Installation

Go to Installation Instruction Sheet 42052-183-01.