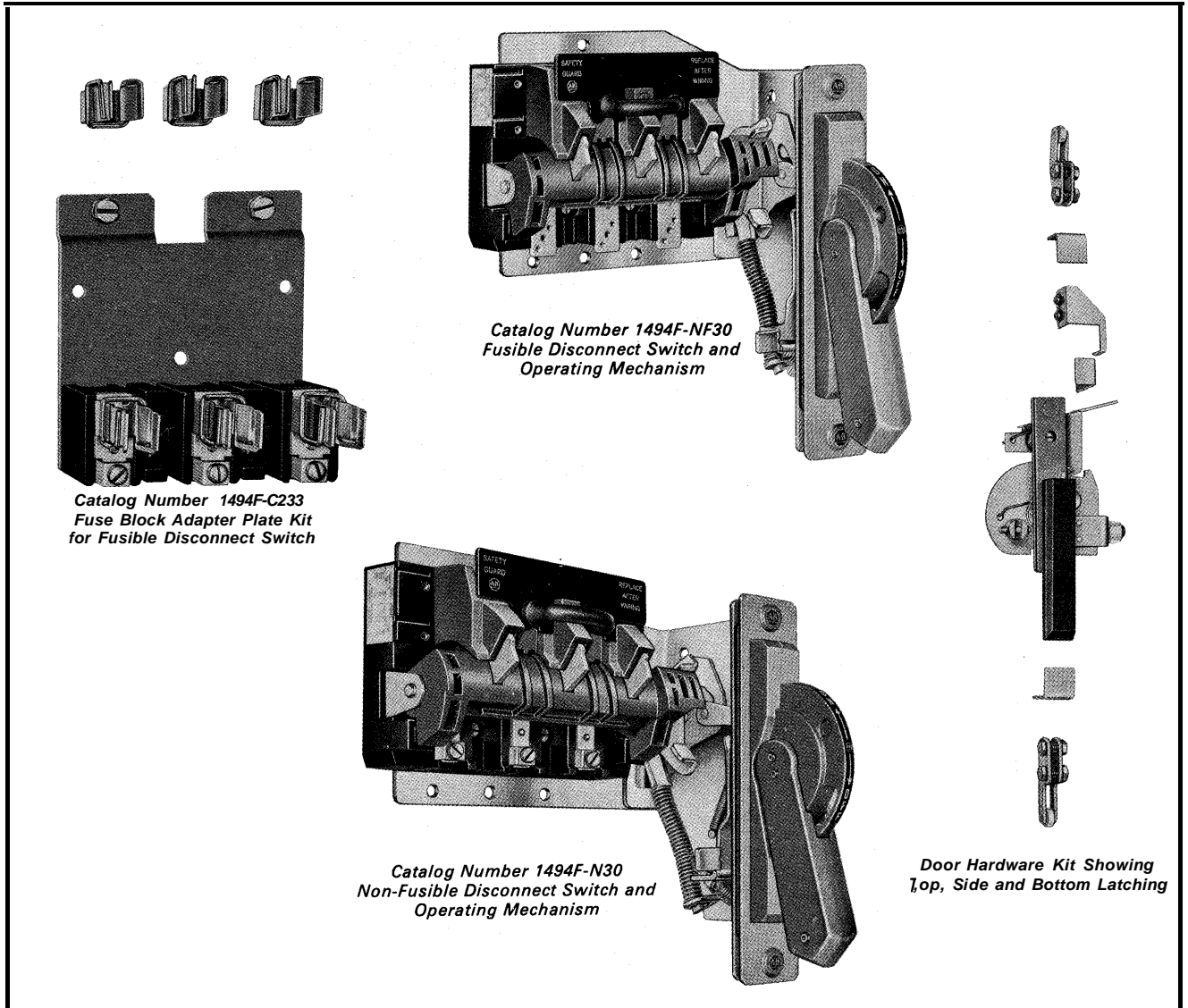


FLANGE MOUNTED DISCONNECT SWITCHES



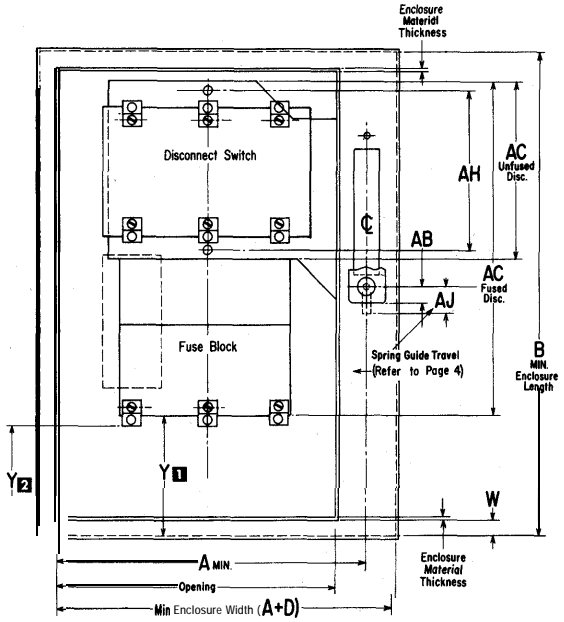
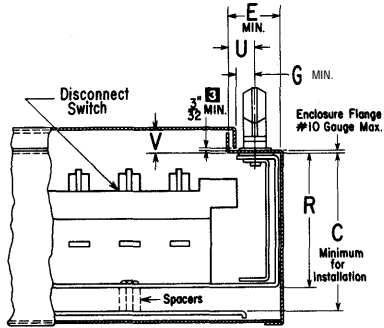
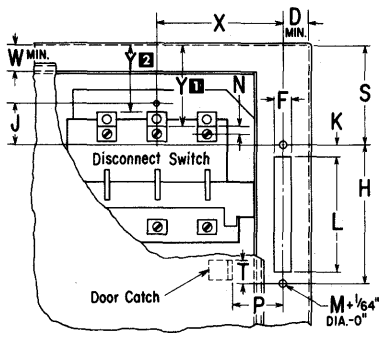
NOTE: All drawings in this instruction sheet are for a right-hand flange installation. The left-hand flange installation would have dimensions that are diametrically opposite.

— Table of Contents —

Enclosure Construction	Pages 2-3
Disconnect Switch Installation	Pages 4-5
Fuse Block Kit Installation	Pages 4-5
Door And Hardware Construction	Page 6
Installation of Door Hardware Kits	Page 7

AB PLCs

ENCLOSURE CONSTRUCTION



- With A-B 30A wiring clamps.
- With A-B 60, 100 and 200A pressure connectors.
- 3/32" minimum is required for the door to clear the flange plate. A smaller dimension increases "U" and "E" by 3/16" minimum and "G" by 3/8" min.

NEMA Size (Amps)	Fuse Clip	Class and Type	Dimensions In Inches				
			A Min.	B Min. (Enclosure Minimum Length)			
				Without Door Hardware	With Door Hardware		
				Top & Side Latching	Top & Bottom Latching	Top, Side & Bottom Latching	
30	Unfused	-	10 3/16	11 1/16	17 3/4	22 5/8	25 3/8
	30A-250V	H, R	10 3/16	11 1/16	17 3/4	22 5/8	25 3/8
	60A-250V	H, R	10 3/16	11 1/16	17 3/4	22 5/8	25 3/8
	30A-600V	H, R	10 3/16	12 3/4	17 3/4	22 5/8	25 3/8
	60A-600V	H, R	10 3/16	13 1/4	17 3/4	22 5/8	25 3/8
	30A-600V	J	10 3/16	11 1/16	17 3/4	22 5/8	25 3/8
	60A-600V	J	10 3/16	11 1/16	17 3/4	22 5/8	25 3/8
60	Unfused	-	10 3/16	12 1/4	18 3/4	23 5/8	25 7/8
	30A-600V	H, R	10 3/16	15 5/8	18 3/4	23 5/8	25 7/8
	60A-250V	H, R	10 3/16	13 5/8	18 3/4	23 5/8	25 7/8
	100A-250V	H, R	10 3/16	16 1/8	18 3/4	23 5/8	25 7/8
	60A-600V	H, R	10 3/16	16 1/8	18 3/4	23 5/8	25 7/8
	100A-600V	H, R	10 3/16	18 1/8	18 3/4	23 5/8	25 7/8
	60A-600V	J	10 3/16	13	18 3/4	23 5/8	25 7/8
	100A-600V	J	10 3/16	14 15/16	18 3/4	23 5/8	25 7/8
100	Unfused	-	12 3/16	18 29/64	23 41/64	28 33/64	30 25/32
	100A-250V	H, R	12 3/16	24 29/64	24 29/64	28 33/64	30 25/32
	250A-250V	H, R	12 3/16	25 21/64	25 21/64	28 33/64	30 25/32
	100A-600V	H, R	12 3/16	26 29/64	26 29/64	28 33/64	30 25/32
	200A-600V	H, R	12 3/16	27 53/64	27 53/64	28 33/64	30 25/32
	100A-600V	J	12 3/16	23 17/64	23 41/64	28 33/64	30 25/32
	200A-600V	J	12 3/16	24 1/64	24 1/64	28 33/64	30 25/32
200	Unfused	-	14 7/8	22 5/32	28 17/32	33 13/32	35 21/32
	200A-250V	H, R	14 7/8	32 3/8	32 3/8	33 13/32	35 21/32
	400A-250V	H, R	14 7/8	33 7/8	33 7/8	33 7/8	35 21/32
	200A-600V	H, R	14 7/8	34 7/8	34 7/8	34 7/8	35 21/32
	400A-600V	H, R	14 7/8	36 7/8	36 7/8	36 7/8	36 7/8
	200A-600V	J	14 7/8	31 1/16	31 1/16	33 13/32	35 21/32
	400A-600V	J	14 7/8	32 3/8	32 3/8	33 13/32	35 21/32

NEMA Size (Amps)	Dimensions In Inches																					
	C	D	E	F	G	H	J	K	L	M	N	P	R	S <input type="checkbox"/>	T	U MIN.	U MAX.	V	W MIN.	W MAX.	X	Y <input type="checkbox"/>
WITHOUT DOOR HARDWARE																						
30	1 ³ / ₈	1 ³ / ₁₆	2 ¹ / ₄	1 ⁷ / ₁₆	5/8	8 ¹ / ₂	1 ¹ / ₁₆	1 ⁵ / ₃₂	7 ³ / ₁₆	9/32	1/4	2 ¹ / ₈	4 ³ / ₃₂	2 ¹ / ₁₆	2 ⁹ / ₁₆	1 ¹ / ₁₆	1 ³ / ₈	7/8	1/4	9/16	4 ⁵ / ₁₆	1 ¹ / ₂
60	6 ³ / ₈	1 ³ / ₁₆	2 ¹ / ₄	1 ⁷ / ₁₆	5/8	8 ¹ / ₂	1 ¹ / ₁₆	1 ⁵ / ₃₂	7 ³ / ₁₆	9/32	7/32	2 ¹ / ₈	4 ³ / ₃₂	3 ¹ / ₄	2 ⁹ / ₁₆	1 ¹ / ₁₆	1 ³ / ₈	7/8	1/4	1 ⁷ / ₈	4 ⁵ / ₁₆	2
100	8 ¹ / ₂	1 ³ / ₁₆	2 ¹ / ₄	1 ⁷ / ₁₆	5/8	8 ¹ / ₂	2 ¹⁵ / ₁₆	1 ⁵ / ₃₂	7 ³ / ₁₆	9/32	3/8	2 ¹ / ₈	7 ¹ / ₆₄	8 ⁹ / ₆₄	2 ⁹ / ₁₆	1 ¹ / ₁₆	1 ³ / ₈	7/8	1/4	3 ² / ₆₄	4 ¹ / ₁₆	5
200	9	1 ¹ / ₄	2 ³ / ₈	1 ¹ / ₁₆	1 ¹ / ₁₆	1 ¹ / ₈	2 ¹⁵ / ₁₆	1 ³ / ₁₆	9/12	1 ¹ / ₃₂	3 ³ / ₆₄	2 ⁹ / ₃₂	7 ¹ / ₁₆	10 ¹³ / ₃₂	2 ¹ / ₂	1 ¹ / ₈	1 ³ / ₈	7/8	1/4	4 ¹ / ₃₂	6 ³ / ₄	7
SMALL & INTERMEDIATE ENCLOSURES WITH DOOR HARDWARE																						
30	6 ³ / ₈	1 ³ / ₁₆	2 ⁹ / ₁₆	1 ⁷ / ₁₆	5/8	8 ¹ / ₂	1 ¹ / ₁₆	1 ⁵ / ₃₂	7 ³ / ₁₆	9/32	1/4	2 ⁵ / ₃₂	4 ³ / ₃₂	2 ¹ / ₄	2 ¹ / ₈	1 ³ / ₈	1 ³ / ₈	7/8	1 ¹ / ₁₆	3/4	4 ⁵ / ₁₆	1 ¹ / ₁₆
60	6 ³ / ₈	1 ³ / ₁₆	2 ⁹ / ₁₆	1 ⁷ / ₁₆	5/8	8 ¹ / ₂	1 ¹ / ₁₆	1 ⁵ / ₃₂	7 ³ / ₁₆	9/32	7/32	2 ⁵ / ₃₂	4 ³ / ₃₂	3 ¹ / ₄	2 ¹ / ₈	1 ³ / ₈	1 ³ / ₈	7/8	1 ¹ / ₁₆	3/4	4 ⁵ / ₁₆	2
100	8 ¹ / ₂	1 ³ / ₁₆	2 ⁹ / ₁₆	1 ⁷ / ₁₆	5/8	8 ¹ / ₂	2 ¹⁵ / ₁₆	1 ⁵ / ₃₂	7 ³ / ₁₆	9/32	3/8	2 ⁵ / ₃₂	7 ¹ / ₆₄	8 ⁹ / ₆₄	2 ¹ / ₈	1 ³ / ₈	1 ³ / ₈	7/8	1 ¹ / ₁₆	3/4	4 ¹ / ₁₆	5
200	9	1 ¹ / ₄	2 ⁵ / ₈	1 ¹ / ₁₆	1 ¹ / ₁₆	1 ¹ / ₈	2 ¹⁵ / ₁₆	1 ³ / ₁₆	9/12	1 ¹ / ₃₂	3 ³ / ₆₄	2 ⁵ / ₁₆	7 ¹ / ₁₆	10/32	2 ¹ / ₈	1 ³ / ₈	1 ³ / ₈	7/8	1 ¹ / ₁₆	3/4	6 ³ / ₄	7
LARGE ENCLOSURES WITH DOOR HARDWARE																						
30	6 ³ / ₈	1 ³ / ₁₆	2 ⁹ / ₁₆	1 ⁷ / ₁₆	5/8	8 ¹ / ₂	1 ¹ / ₁₆	1 ⁵ / ₃₂	7 ³ / ₁₆	9/32	1/4	2 ¹ / ₄	4 ³ / ₃₂	2 ³ / ₄	1 ⁹ / ₁₆	1 ³ / ₈	1 ³ / ₈	1 ¹ / ₄	1 ¹ / ₈	1 ³ / ₁₆	4 ⁵ / ₁₆	2 ³ / ₁₆
60	6 ³ / ₈	1 ³ / ₁₆	2 ⁹ / ₁₆	1 ⁷ / ₁₆	5/8	8 ¹ / ₂	1 ¹ / ₁₆	1 ⁵ / ₃₂	7 ³ / ₁₆	9/32	7/32	2 ¹ / ₄	4 ³ / ₃₂	3 ¹ / ₄	1 ⁹ / ₁₆	1 ³ / ₈	1 ³ / ₈	1 ¹ / ₄	1 ¹ / ₈	1 ³ / ₁₆	4 ⁵ / ₁₆	2
100	8 ¹ / ₂	1 ³ / ₁₆	2 ⁹ / ₁₆	1 ⁷ / ₁₆	5/8	8 ¹ / ₂	2 ¹⁵ / ₁₆	1 ⁵ / ₃₂	7 ³ / ₁₆	9/32	3/8	2 ¹ / ₄	7 ¹ / ₆₄	8 ⁹ / ₆₄	1 ⁹ / ₁₆	1 ³ / ₈	1 ³ / ₈	1 ¹ / ₄	1 ¹ / ₈	1 ³ / ₁₆	4 ¹ / ₁₆	5
200	9	1 ¹ / ₄	2 ⁵ / ₈	1 ¹ / ₁₆	1 ¹ / ₁₆	1 ¹ / ₈	2 ¹⁵ / ₁₆	1 ³ / ₁₆	9/12	1 ¹ / ₃₂	3 ³ / ₆₄	2 ¹ / ₁₃₂	7 ¹ / ₁₆	10 ¹³ / ₃₂	1 ⁹ / ₁₆	1 ³ / ₈	1 ³ / ₈	1 ¹ / ₄	1 ¹ / ₈	1 ³ / ₁₆	6 ³ / ₄	7

Minimum wiring space for the maximum wire size.

GUIDELINES

Small Enclosures: 30" high or less with 2 or 3 point latching. **Intermediate Enclosures:** 30" thru 48" high with 3 point latching. **Large Enclosures:** Above 48" high with 3 point latching.

INSTRUCTIONS

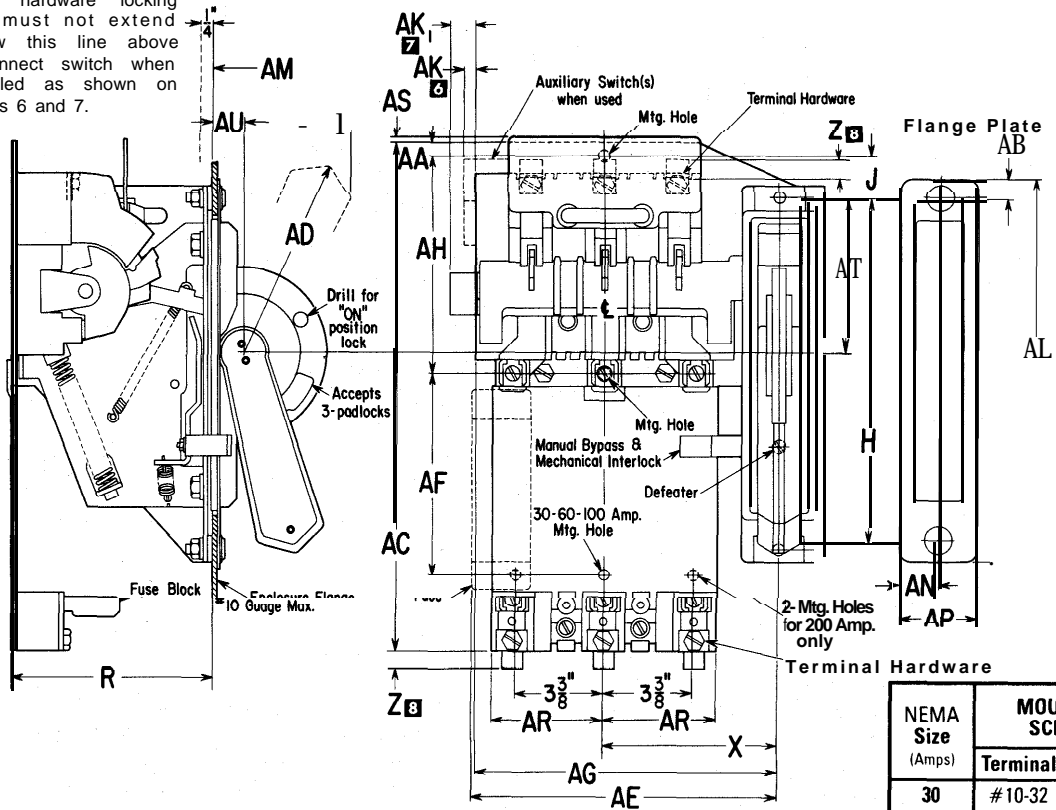
1. Select the dimension table(s) which applies to your enclosure construction, door and door hardware construction and/or disconnect type (fusible or unfused) and NEMA size.
2. Determine the enclosure flange width (Dimension E), the disconnect mounting depth (Dimension C), the enclosure's length (Dimension B) and width (Dimension A + D) to insure that the fabricated enclosure is as large as these minimum values. **NOTE:** The enclosure length is based upon the minimum wire space (Dimension Y) at top and bottom required by N.E.C. The minimum enclosure opening

and depth will insure adequate space for mounting the disconnect inside the enclosure and securing it to the enclosure flange.

3. Refer to N.E.C. for required wire bending space (Dimension "Y"). If wire or pressure connectors other than those of ALLEN-BRADLEY are used, this dimension should be adjusted accordingly. Values specified for "Y" will provide "S" distance as shown. Any change in "Y" will cause an identical change in "S".
4. Provide slot and mounting holes on the right-hand flange as indicated. **NOTE:** Location of holes in enclosure mounting plate for disconnect switch and fuse block adapter plate can be determined from line drawings on Page 4.
5. Locate door catch using "P" and "T". **NOTE:** With enclosures using door hardware, disregard the door catch supplied with disconnect and use door catch furnished with door hardware. Refer to Page 6 for additional door catch instructions.

FUSIBLE SWITCH AND FUSE BLOCK KIT

Door hardware locking bar must not extend below this line above disconnect switch when installed as shown on Pages 6 and 7.



NEMA Size (Amps)	MOUNTING SCREWS	
	Terminal	Switch
30	#10-32	#1/4
60	#1/4-28	#1/4
100	#5/16-24	#1/4
200	#3/8-24	#5/16

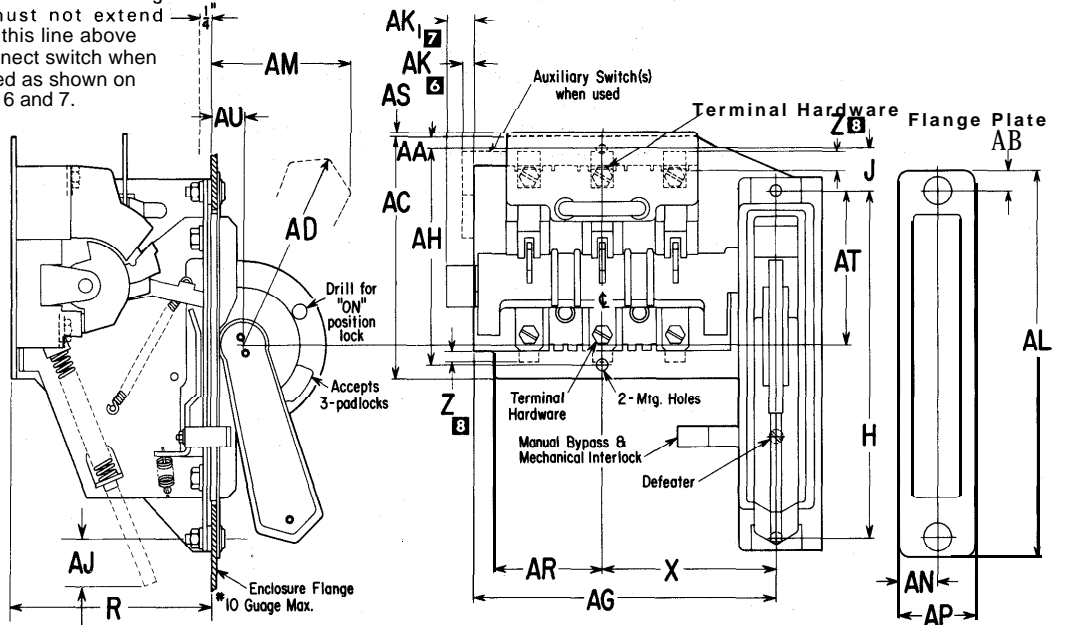
6 Dimension "AK" is for right-hand flange construction only.

7 Dimension "AK," is for left-hand flange construction only.

Dimension "Z" is for ALLEN-BRADLEY pressure connectors only.

UNFUSED SWITCH

Door hardware locking bar must not extend below this line above disconnect switch when installed as shown on Pages 6 and 7.



CAUTION — Spring Guide extends beyond this line on 100 and 200A switches only. 113/16" on 100A and 7/16" on 200A switches.

Dimension "AK" is for right-hand flange construction only.

Dimension "AK," is for left-hand flange construction only.

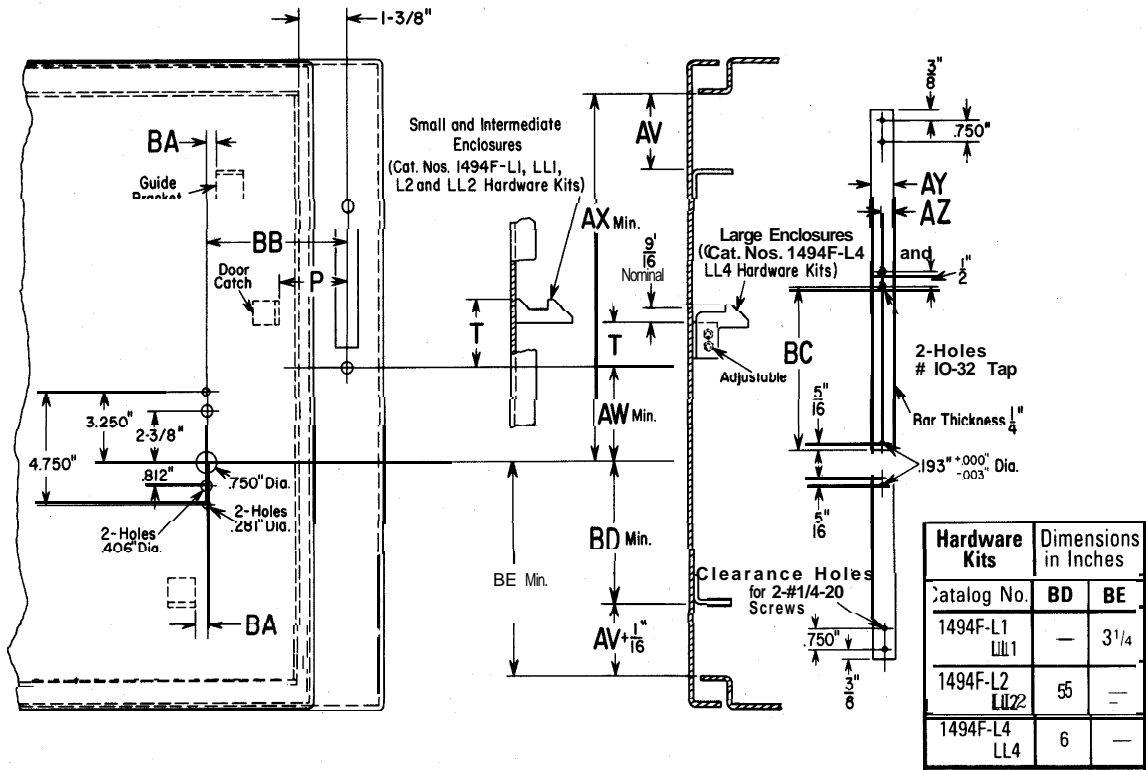
Dimension "Z" is for ALLEN-BRADLEY pressure connectors only.

Refer to Page 5 for Dimensions

APPROXIMATE DIMENSIONS

NEMA Size (Amps)	Fuse Clip	Class and Type	Dimensions In Inches																							
			H	J	R	X	Z	AA	AB	AC	AD	AE	AF	AG	AH	AK	AK ₁	AL	AM	AN	AP	AR	AS	AT	AU	
30	Unfused	—	8 ¹ / ₂	1 ¹ / ₁₆	4 ³¹ / ₃₂	4 ⁵ / ₁₆	—	5 ¹⁶ / ₁₆	1 ² / ₂	5 ¹⁵ / ₁₆	5	—	—	7 ¹ / ₂	5 ¹⁶ / ₁₆	1 ⁴ / ₄	9 ¹⁶ / ₁₆	9 ¹ / ₂	3 ⁷ / ₁₆	1 ⁵ / ₁₆	1 ⁷ / ₈	2 ¹¹ / ₃₂	—	3 ³ / ₄	3 ⁴ / ₄	
	30A-250V	H, R	8 ¹ / ₂	1 ¹ / ₁₆	4 ³¹ / ₃₂	4 ⁵ / ₁₆	—	5 ¹⁶ / ₁₆	1 ² / ₂	7 ¹³ / ₁₆	5	—	—	7 ¹ / ₂	5 ⁵ / ₁₆	1 ⁴ / ₄	9 ¹⁶ / ₁₆	9 ¹ / ₂	3 ⁷ / ₁₆	1 ⁵ / ₁₆	1 ⁷ / ₈	2 ¹¹ / ₃₂	—	3 ³ / ₄	3 ⁴ / ₄	
	60A-250V	H, R	8 ¹ / ₂	1 ¹ / ₁₆	4 ³¹ / ₃₂	4 ⁵ / ₁₆	—	5 ¹⁶ / ₁₆	1 ² / ₂	8 ⁹ / ₁₆	5	—	—	7 ¹ / ₂	5 ⁵ / ₁₆	1 ⁴ / ₄	9 ¹⁶ / ₁₆	9 ¹ / ₂	3 ⁷ / ₁₆	1 ⁵ / ₁₆	1 ⁷ / ₈	2 ¹¹ / ₃₂	—	3 ³ / ₄	3 ⁴ / ₄	
	30A-600V	H, R	8 ¹ / ₂	1 ¹ / ₁₆	4 ³¹ / ₃₂	4 ⁵ / ₁₆	—	5 ¹⁶ / ₁₆	1 ² / ₂	10 ⁹ / ₁₆	5	—	—	2 ¹³ / ₁₆	7 ¹ / ₂	5 ⁵ / ₁₆	1 ⁴ / ₄	9 ¹⁶ / ₁₆	9 ¹ / ₂	3 ⁷ / ₁₆	1 ⁵ / ₁₆	1 ⁷ / ₈	2 ¹¹ / ₃₂	—	3 ³ / ₄	3 ⁴ / ₄
	60A-600V	H, R	8 ¹ / ₂	1 ¹ / ₁₆	4 ³¹ / ₃₂	4 ⁵ / ₁₆	—	5 ¹⁶ / ₁₆	1 ² / ₂	1 ¹¹ / ₁₆	5	—	—	3 ⁵ / ₁₆	7 ¹ / ₂	5 ⁵ / ₁₆	1 ⁴ / ₄	9 ¹⁶ / ₁₆	9 ¹ / ₂	3 ⁷ / ₁₆	1 ⁵ / ₁₆	1 ⁷ / ₈	2 ¹¹ / ₃₂	—	3 ³ / ₄	3 ⁴ / ₄
	60A-600V	J	8 ¹ / ₂	1 ¹ / ₁₆	4 ³¹ / ₃₂	4 ⁵ / ₁₆	—	5 ¹⁶ / ₁₆	1 ² / ₂	7 ¹³ / ₁₆	5	—	—	7 ¹ / ₂	5 ⁵ / ₁₆	1 ⁴ / ₄	9 ¹⁶ / ₁₆	9 ¹ / ₂	3 ⁷ / ₁₆	1 ⁵ / ₁₆	1 ⁷ / ₈	2 ¹¹ / ₃₂	—	3 ³ / ₄	3 ⁴ / ₄	
	60A-600V	J	8 ¹ / ₂	1 ¹ / ₁₆	4 ³¹ / ₃₂	4 ⁵ / ₁₆	—	5 ¹⁶ / ₁₆	1 ² / ₂	7 ¹⁵ / ₁₆	5	—	—	7 ¹ / ₂	5 ⁵ / ₁₆	1 ⁴ / ₄	9 ¹⁶ / ₁₆	9 ¹ / ₂	3 ⁷ / ₁₆	1 ⁵ / ₁₆	1 ⁷ / ₈	2 ¹¹ / ₃₂	—	3 ³ / ₄	3 ⁴ / ₄	
60	Unfused	—	8 ¹ / ₂	1 ¹ / ₁₆	4 ³¹ / ₃₂	4 ⁵ / ₁₆	5 ⁸ / ₁₆	5 ¹⁶ / ₁₆	1 ² / ₂	5 ¹⁵ / ₁₆	5	—	—	7 ¹ / ₂	5 ⁵ / ₁₆	1 ⁴ / ₄	9 ¹⁶ / ₁₆	9 ¹ / ₂	3 ⁷ / ₁₆	1 ⁵ / ₁₆	1 ⁷ / ₈	2 ¹¹ / ₃₂	1 ⁸ / ₈	3 ³ / ₄	3 ⁴ / ₄	
	30A-600V	H, R	8 ¹ / ₂	1 ¹ / ₁₆	4 ³¹ / ₃₂	4 ⁵ / ₁₆	5 ⁸ / ₁₆	5 ¹⁶ / ₁₆	1 ² / ₂	1 ¹ / ₈	5	—	—	3 ³ / ₈	7 ¹ / ₂	5 ⁵ / ₁₆	1 ⁴ / ₄	9 ¹⁶ / ₁₆	9 ¹ / ₂	3 ⁷ / ₁₆	1 ⁵ / ₁₆	1 ⁷ / ₈	2 ²⁵ / ₃₂	1 ⁸ / ₈	3 ³ / ₄	3 ⁴ / ₄
	60A-250V	H, R	8 ¹ / ₂	1 ¹ / ₁₆	4 ³¹ / ₃₂	4 ⁵ / ₁₆	5 ⁸ / ₁₆	5 ¹⁶ / ₁₆	1 ² / ₂	9 ¹ / ₈	5	—	—	7 ¹ / ₂	5 ⁵ / ₁₆	1 ⁴ / ₄	9 ¹⁶ / ₁₆	9 ¹ / ₂	3 ⁷ / ₁₆	1 ⁵ / ₁₆	1 ⁷ / ₈	2 ²⁵ / ₃₂	1 ⁸ / ₈	3 ³ / ₄	3 ⁴ / ₄	
	100A-250V	H, R	8 ¹ / ₂	1 ¹ / ₁₆	4 ³¹ / ₃₂	4 ⁵ / ₁₆	5 ⁸ / ₁₆	5 ¹⁶ / ₁₆	1 ² / ₂	1 ¹⁵ / ₈	5	7 ⁷ / ₁₆	3 ⁷ / ₈	7 ¹ / ₂	5 ⁵ / ₁₆	1 ⁴ / ₄	9 ¹⁶ / ₁₆	9 ¹ / ₂	3 ⁷ / ₁₆	1 ⁵ / ₁₆	1 ⁷ / ₈	2 ²⁵ / ₃₂	1 ⁸ / ₈	3 ³ / ₄	3 ⁴ / ₄	
	60A-600V	H, R	8 ¹ / ₂	1 ¹ / ₁₆	4 ³¹ / ₃₂	4 ⁵ / ₁₆	5 ⁸ / ₁₆	5 ¹⁶ / ₁₆	1 ² / ₂	1 ¹⁵ / ₈	5	—	—	3 ⁷ / ₈	7 ¹ / ₂	5 ⁵ / ₁₆	1 ⁴ / ₄	9 ¹⁶ / ₁₆	9 ¹ / ₂	3 ⁷ / ₁₆	1 ⁵ / ₁₆	1 ⁷ / ₈	2 ²⁵ / ₃₂	1 ⁸ / ₈	3 ³ / ₄	3 ⁴ / ₄
	100A-600V	H, R	8 ¹ / ₂	1 ¹ / ₁₆	4 ³¹ / ₃₂	4 ⁵ / ₁₆	5 ⁸ / ₁₆	5 ¹⁶ / ₁₆	1 ² / ₂	1 ³⁵ / ₈	5	7 ⁹ / ₁₆	5 ⁷ / ₈	7 ¹ / ₂	5 ⁵ / ₁₆	1 ⁴ / ₄	9 ¹⁶ / ₁₆	9 ¹ / ₂	3 ⁷ / ₁₆	1 ⁵ / ₁₆	1 ⁷ / ₈	2 ³⁵ / ₃₂	1 ⁸ / ₈	3 ³ / ₄	3 ⁴ / ₄	
	60A-600V	J	8 ¹ / ₂	1 ¹ / ₁₆	4 ³¹ / ₃₂	4 ⁵ / ₁₆	5 ⁸ / ₁₆	5 ¹⁶ / ₁₆	1 ² / ₂	8 ¹ / ₂	5	—	—	7 ¹ / ₂	5 ⁵ / ₁₆	1 ⁴ / ₄	9 ¹⁶ / ₁₆	9 ¹ / ₂	3 ⁷ / ₁₆	1 ⁵ / ₁₆	1 ⁷ / ₈	2 ²⁵ / ₃₂	1 ⁸ / ₈	3 ³ / ₄	3 ⁴ / ₄	
100A-600A	J	8 ¹ / ₂	1 ¹ / ₁₆	4 ³¹ / ₃₂	4 ⁵ / ₁₆	5 ⁸ / ₁₆	5 ¹⁶ / ₁₆	1 ² / ₂	10 ⁷ / ₁₆	5	7 ¹³ / ₃₂	2 ¹¹ / ₁₆	7 ¹ / ₂	5 ⁵ / ₁₆	1 ⁴ / ₄	9 ¹⁶ / ₁₆	9 ¹ / ₂	3 ⁷ / ₁₆	1 ⁵ / ₁₆	1 ⁷ / ₈	2 ²⁵ / ₃₂	1 ⁸ / ₈	3 ³ / ₄	3 ⁴ / ₄		
100	Unfused	—	8 ¹ / ₂	2 ¹⁵ / ₁₆	7 ¹ / ₆₄	4 ¹¹ / ₁₆	1 ³ / ₁₆	3 ⁸ / ₈	1 ² / ₂	7 ¹⁵ / ₁₆	5	—	—	8 ¹ / ₄	7 ³ / ₁₆	9 ¹⁶ / ₁₆	5 ⁸ / ₁₆	9 ¹ / ₂	3 ⁷ / ₁₆	1 ⁵ / ₁₆	1 ⁷ / ₈	3 ³ / ₈	1 ¹ / ₁₆	3 ³ / ₄	3 ⁴ / ₄	
	100A-250V	H, R	8 ¹ / ₂	2 ¹⁵ / ₁₆	7 ¹ / ₆₄	4 ¹¹ / ₁₆	1 ³ / ₁₆	3 ⁸ / ₈	1 ² / ₂	13 ³ / ₁₆	5	8 ⁵ / ₁₆	3 ¹ / ₂	8 ¹ / ₄	7 ³ / ₁₆	9 ¹⁶ / ₁₆	5 ⁸ / ₁₆	9 ¹ / ₂	3 ⁷ / ₁₆	1 ⁵ / ₁₆	1 ⁷ / ₈	3 ³ / ₈	1 ¹ / ₁₆	3 ³ / ₄	3 ⁴ / ₄	
	200A-250V	H, R	8 ¹ / ₂	2 ¹⁵ / ₁₆	7 ¹ / ₆₄	4 ¹¹ / ₁₆	1 ³ / ₁₆	3 ⁸ / ₈	1 ² / ₂	14 ¹¹ / ₁₆	5	8 ⁹ / ₁₆	4 ³ / ₈	8 ¹ / ₄	7 ³ / ₁₆	9 ¹⁶ / ₁₆	5 ⁸ / ₁₆	9 ¹ / ₂	3 ⁷ / ₁₆	1 ⁵ / ₁₆	1 ⁷ / ₈	3 ³ / ₈	1 ¹ / ₁₆	3 ³ / ₄	3 ⁴ / ₄	
	100A-600V	H, R	8 ¹ / ₂	2 ¹⁵ / ₁₆	7 ¹ / ₆₄	4 ¹¹ / ₁₆	1 ³ / ₁₆	3 ⁸ / ₈	1 ² / ₂	15 ³ / ₁₆	5	8 ⁷ / ₁₆	5 ¹ / ₂	8 ¹ / ₄	7 ³ / ₁₆	9 ¹⁶ / ₁₆	5 ⁸ / ₁₆	9 ¹ / ₂	3 ⁷ / ₁₆	1 ⁵ / ₁₆	1 ⁷ / ₈	3 ³ / ₈	1 ¹ / ₁₆	3 ³ / ₄	3 ⁴ / ₄	
	200A-600V	H, R	8 ¹ / ₂	2 ¹⁵ / ₁₆	7 ¹ / ₆₄	4 ¹¹ / ₁₆	1 ³ / ₁₆	3 ⁸ / ₈	1 ² / ₂	17 ³ / ₁₆	5	8 ¹¹ / ₁₆	6 ⁷ / ₈	8 ¹ / ₄	7 ³ / ₁₆	9 ¹⁶ / ₁₆	5 ⁸ / ₁₆	9 ¹ / ₂	3 ⁷ / ₁₆	1 ⁵ / ₁₆	1 ⁷ / ₈	3 ³ / ₈	1 ¹ / ₁₆	3 ³ / ₄	3 ⁴ / ₄	
	100A-600V	J	8 ¹ / ₂	2 ¹⁵ / ₁₆	7 ¹ / ₆₄	4 ¹¹ / ₁₆	1 ³ / ₁₆	3 ⁸ / ₈	1 ² / ₂	12 ⁵ / ₈	5	8 ⁹ / ₃₂	2 ⁵ / ₁₆	8 ¹ / ₄	7 ³ / ₁₆	9 ¹⁶ / ₁₆	5 ⁸ / ₁₆	9 ¹ / ₂	3 ⁷ / ₁₆	1 ⁵ / ₁₆	1 ⁷ / ₈	3 ³ / ₈	1 ¹ / ₁₆	3 ³ / ₄	3 ⁴ / ₄	
	200A-600V	J	8 ¹ / ₂	2 ¹⁵ / ₁₆	7 ¹ / ₆₄	4 ¹¹ / ₁₆	1 ³ / ₁₆	3 ⁸ / ₈	1 ² / ₂	13 ³ / ₈	5	8 ¹ / ₂	3 ¹ / ₁₆	8 ¹ / ₄	7 ³ / ₁₆	9 ¹⁶ / ₁₆	5 ⁸ / ₁₆	9 ¹ / ₂	3 ⁷ / ₁₆	1 ⁵ / ₁₆	1 ⁷ / ₈	3 ³ / ₈	1 ¹ / ₁₆	3 ³ / ₄	3 ⁴ / ₄	
200	Unfused	—	11 ¹ / ₈	2 ¹⁵ / ₁₆	7 ¹ / ₁₆	6 ³ / ₄	1 ⁵ / ₃₂	7 ¹⁶ / ₁₆	5 ⁸ / ₈	10 ¹ / ₂	7	—	—	11 ³ / ₈	9 ⁵ / ₈	3 ³² / ₃₂	13 ¹⁶ / ₁₆	12 ³ / ₈	4 ¹ / ₂	1	2	4 ³ / ₈	7 ¹⁶ / ₁₆	5 ⁹ / ₁₆	1 ¹⁵ / ₁₆	
	200A-250V	H, R	11 ¹ / ₈	2 ¹⁵ / ₁₆	7 ¹ / ₁₆	6 ³ / ₄	1 ⁵ / ₃₂	7 ¹⁶ / ₁₆	5 ⁸ / ₈	17 ³ / ₁₆	7	11 ¹ / ₄	3 ¹ / ₂	11 ³ / ₈	9 ⁵ / ₈	3 ³² / ₃₂	13 ¹⁶ / ₁₆	12 ³ / ₈	4 ¹ / ₂	1	2	4 ³ / ₈	7 ¹⁶ / ₁₆	5 ⁹ / ₁₆	1 ¹⁵ / ₁₆	
	400A-250V	H, R	11 ¹ / ₈	2 ¹⁵ / ₁₆	7 ¹ / ₁₆	6 ³ / ₄	1 ⁵ / ₃₂	7 ¹⁶ / ₁₆	5 ⁸ / ₈	18 ¹¹ / ₁₆	7	11 ³ / ₄	5	11 ³ / ₈	9 ⁵ / ₈	3 ³² / ₃₂	13 ¹⁶ / ₁₆	12 ³ / ₈	4 ¹ / ₂	1	2	4 ³ / ₈	7 ¹⁶ / ₁₆	5 ⁹ / ₁₆	1 ¹⁵ / ₁₆	
	200A-600V	H, R	11 ¹ / ₈	2 ¹⁵ / ₁₆	7 ¹ / ₁₆	6 ³ / ₄	1 ⁵ / ₃₂	7 ¹⁶ / ₁₆	5 ⁸ / ₈	19 ¹¹ / ₁₆	7	11 ³ / ₈	6	11 ³ / ₈	9 ⁵ / ₈	3 ³² / ₃₂	13 ¹⁶ / ₁₆	12 ³ / ₈	4 ¹ / ₂	1	2	4 ³ / ₈	7 ¹⁶ / ₁₆	5 ⁹ / ₁₆	1 ¹⁵ / ₁₆	
	400A-600V	H, R	11 ¹ / ₈	2 ¹⁵ / ₁₆	7 ¹ / ₁₆	6 ³ / ₄	1 ⁵ / ₃₂	7 ¹⁶ / ₁₆	5 ⁸ / ₈	21 ¹¹ / ₁₆	7	12	8	11 ³ / ₈	9 ⁵ / ₈	3 ³² / ₃₂	13 ¹⁶ / ₁₆	12 ³ / ₈	4 ¹ / ₂	1	2	4 ³ / ₈	7 ¹⁶ / ₁₆	5 ⁹ / ₁₆	1 ¹⁵ / ₁₆	
	200A-600V	J	11 ¹ / ₈	2 ¹⁵ / ₁₆	7 ¹ / ₁₆	6 ³ / ₄	1 ⁵ / ₃₂	7 ¹⁶ / ₁₆	5 ⁸ / ₈	17 ⁵ / ₈	7	11 ³ / ₁₆	2 ³ / ₁₆	11 ³ / ₈	9 ⁵ / ₈	3 ³² / ₃₂	13 ¹⁶ / ₁₆	12 ³ / ₈	4 ¹ / ₂	1	2	4 ³ / ₈	7 ¹⁶ / ₁₆	5 ⁹ / ₁₆	1 ¹⁵ / ₁₆	
	400A-600V	J	11 ¹ / ₈	2 ¹⁵ / ₁₆	7 ¹ / ₁₆	6 ³ / ₄	1 ⁵ /<																			

DOOR AND HARDWARE CONSTRUCTION



NEMA Size (Amps)	Dimensions In Inches									
	P	T	AV	AW	AX	AY	AZ	BA	BB	
SMALL & INTERMEDIATE ENCLOSURES										
30	2 ⁵ / ₃₂	2 ¹ / ₈	3 ¹ / ₁₆	3	13	1/2	1/4	3/8	3 ⁷ / ₈	
60	2 ⁵ / ₃₂	2 ¹ / ₈	3 ¹ / ₁₆	3	14	1/2	1/4	3/8	3 ⁷ / ₈	
100	2 ⁵ / ₃₂	2 ¹ / ₈	3 ¹ / ₁₆	3	18 ⁷ / ₈	1/2	1/4	3/8	3 ⁷ / ₈	
200	2 ⁵ / ₁₆	2 ¹ / ₈	3 ¹ / ₁₆	3	23 ²⁵ / ₃₂	1/2	1/4	3/8	3 ¹⁵ / ₁₆	
LARGE ENCLOSURES										
30	2 ¹ / ₄	1 ⁹ / ₁₆	3 ¹¹ / ₁₆	3 ¹ / ₈	13 ³ / ₈	5/8	5/16	1/2	4	
60	2 ¹ / ₄	1 ⁹ / ₁₆	3 ¹¹ / ₁₆	3 ¹ / ₈	13 ⁵ / ₈	5/8	5/16	1/2	4	
100	2 ¹ / ₄	1 ⁹ / ₁₆	3 ¹¹ / ₁₆	3 ¹ / ₈	18 ¹ / ₂	5/8	5/16	1/2	4	
200	2 ¹¹ / ₃₂	1 ⁹ / ₁₆	3 ¹¹ / ₁₆	3 ¹ / ₈	23 ¹³ / ₃₂	5/8	5/16	1/2	4	

- 9 When using the minimum wiring space for the maximum size wire as shown on Page 2 Dimensions "S" and "Y"
- 10 Use with Hardware Kits 1494F-L1 and LL1 (top and side latching); 1494F-L2 and 1494F-LL2 (top and bottom latching); and 1494F-L3 (side latching accessory for 1494F-L2 and LL2).
- 11 Use with Hardware Kits 1494F-L4 and LL4 (top, side and bottom latching).

GUIDELINES

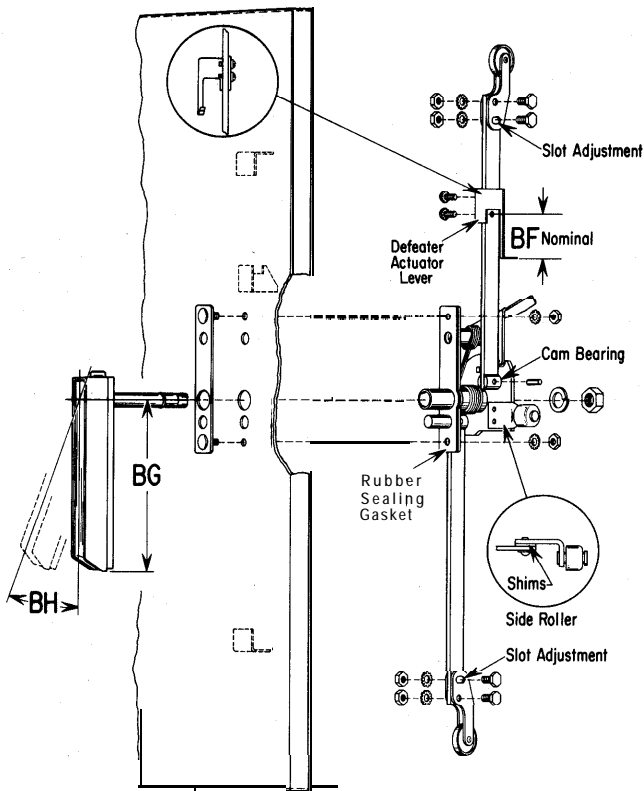
Small Enclosures: 30" high or less with 2 or 3 point latching. **Intermediate Enclosures:** 30" thru 48" high with 3 point latching. **Large Enclosures:** Above 48" high with 3 point latching.

INSTRUCTIONS

1. Check all minimum enclosure and door dimensions required for installation. Refer to Pages 2, 3 and above.

2. Select the dimensions from above which apply to the roller latching arrangement to be installed. **NOTE:** Door catch supplied with all disconnects is not to be used with these door hardware kits.
3. Locate holes in door to secure handle assembly.
4. Determine Dimensions "BA" and "AV" to locate locking bar guide bracket(s).
5. Locate door catch using "P" and "T" dimensions. Location varies with each hardware kit. On 1494F-L4 and 1494F-LL4 hardware kits, attach the adjustable catch after the support bracket is located. **NOTE:** Door catch and guide bracket(s) are made with projections for welding to the enclosure door. However, if a specific installation permits, holes can be drilled in the door catch and guide bracket(s) using the projections as centers. Then, after proper location and using them as templates, corresponding holes can be drilled in the enclosure door. Door catch and guide bracket(s) are then fastened to the enclosure door with hardware furnished by user.
6. Establish the length of the top locking bar by measuring Dimension "AX" and subtracting 3/4" for Kits L1, LL1, L2, and LL2; subtract 1 1/8" for Kits L4 and LL4. Determine the length of the bottom locking bar by measuring Dimension "BE" and subtracting 3/4" for Kits L2 and LL2; subtract 1 1/8" for Kits L4 and LL4. Dimension "BC" is determined by measuring Dimension "AW" and adding 3 1/2" for Kits L1, LL1, L2, and LL2; add 3" for Kits L4 and LL4. Locate, drill, and tap holes where necessary. **NOTE:** These standard mill rectangular locking bars are not supplied with these kits.
7. The door locking hardware assembly can now be attached to the door.

INSTALLATION OF DOOR HARDWARE KITS



Enclosure Size	Hardware Kits	Dimensions in Inches		Degrees
	Catalog No.	BF	BG	BH
Small and Intermediate	1494F-L1, LL1	17/32	4	65
	1494F-L2, LL2			
	1494F-L3			
Large	1494F-L4, LL4	15/16	6	75

INSTRUCTIONS

Locking Bar(s) and Handle Assembly

Using the roller latching arrangement to be installed and the locking bar(s) prepared as specified on Page 6 proceed as follows:

1. Insert cam bearing(s) into the cam plate hole(s), insert locking bar(s) in the cam bearing slot(s) and secure by using the pin(s) provided. See above. **NOTE:** An alternate method requires using the screw(s) and nut(s) also provided.
2. Remove door handle and cover plate from the handle assembly. **NOTE:** Rubber sealing gasket should not be removed from assembly.
3. Slide locking bar(s) attached to the cam assembly through the slot in the guide bracket(s) located on the enclosure door.
4. Insert cover plate studs through holes in door and secure to cam assembly.
5. Replace handle.

NOTE: An alternate method of assembly requires that the handle assembly be installed first and then attach locking bar(s) to the cam plate.

Roller Assembly and Defeater Actuator Lever

1. Attach top roller assembly and bottom roller assembly (when used) to the locking bar(s). A slotted hole on roller assembly provides adjustment to insure proper gasket sealing when enclosure dimensional variations are encountered.
2. Fasten side roller assembly (when used) to the cam plate using various shims supplied. Nominal enclosure dimensions will require one (1) 1/8" shim.
3. Attach the defeater actuator lever to the upper locking bar. Refer to inset for assembled view as seen from inside of enclosure. The two screws should be located near the center of the adjustment slot. Refer to Dimension "BF". Further adjustment may be required after disconnect switch is installed.

Door Hardware Adjustments

NOTE: The following instructions are for a right-hand flange installation. On a left-hand flange installation substitute the words left for right, clockwise for counterclockwise, and right for left as they appear.

With the disconnect secured to the flange in the "Off" position and the door hardware attached to the door proceed as follows:

1. Close enclosure door and slowly turn the handle to the right (counterclockwise) until the first notch on the cam plate is engaged. At this point positive gasket seal should be obtained with proper roller adjustment. When seal is obtained further adjustment to the defeater actuator lever may be required if the disconnect switch handle can be moved to the "On" position.
2. Rotate door handle further to the right. Relocate defeater actuator lever if necessary, so that the disconnect "On" position occurs well before the fully latched (vertical) door handle position.
3. With the disconnect switch in the "Off" position, turn recessed door defeater screw, hold and simultaneously turn handle to the left and pull. Door should open.
4. Close door, turn door handle to fully latched position and place disconnect switch in "On" position. Turn recessed door defeater screw, hold and at the same time turn door handle to the left and pull. Door should open only partially. Maintain force on handle and turn recessed defeater screw in cabinet flange. The door should now open.
5. Close door and rotate door handle to the fully closed position. Pull out handle padlocking bar. Insertion of a 3/16" minimum to 3/8" maximum shackle of a padlock should prevent movement of the door handle.

NOTE: Positive sealing and maximum safety have now been attained.

AB PLCs

ALLEN-BRADLEY

Milwaukee, Wisconsin 53204

