

# ALTERNATE MOUNTING KIT • CATALOG NUMBER 1494V-H3 FOR SHORT OPERATING HANDLE (CATALOG NUMBER 1494V-H1)

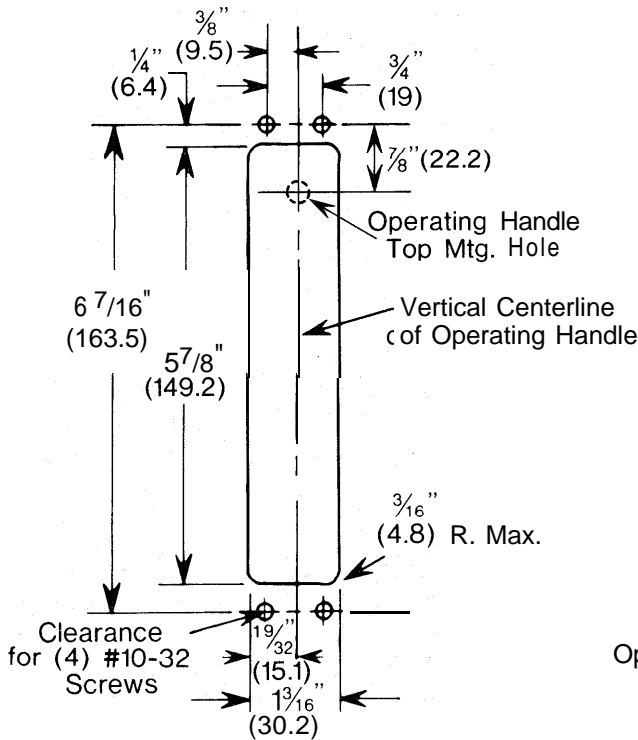


Figure 1

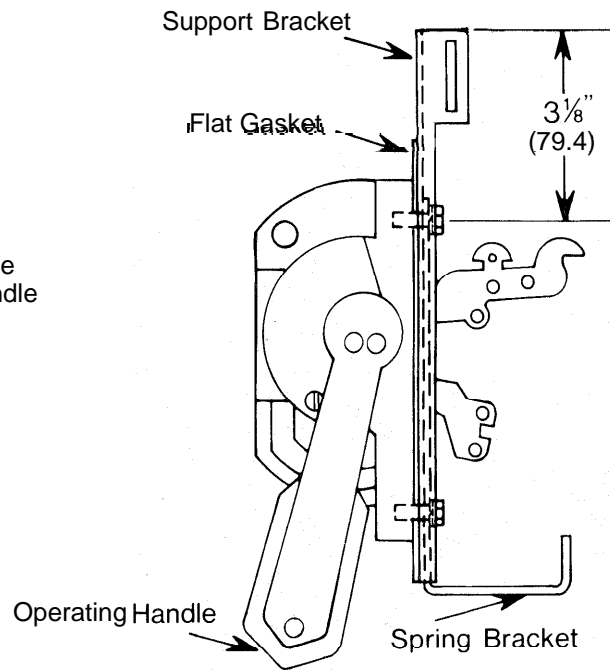


Figure 2

1. The alternate mounting method is recommended only where the enclosure flange thickness is between 3/16 (4.8) and 1/2 inch (12.7).
2. Provide the flange slot and holes as shown in Figure 1.
3. Mount the operating handle and spring bracket to the support bracket with the two 1/4-20 x 5/8 inch hex head screw assemblies provided with the operating handle. **NOTE:** Install the gasket in the handle housing groove.
4. Place the flat gasket over the operating handle and against the support bracket as shown in Figure 2.
5. Insert the assembly through the flange slot from the inside of the enclosure and secure it in position with the four 10-32 x 1 inch round head screws, lock washers and hex nuts provided.
6. Continue assembly procedure per operating handle instructions (40050-701-01).

**NOTE:** Dimensions shown in parentheses are in millimeters.

# AB Spares