

# ALTERNATE MOUNTING KIT • CATALOG NUMBER 1494V-H6

For Long Operating Handle (Catalog Number 1494V-H2)

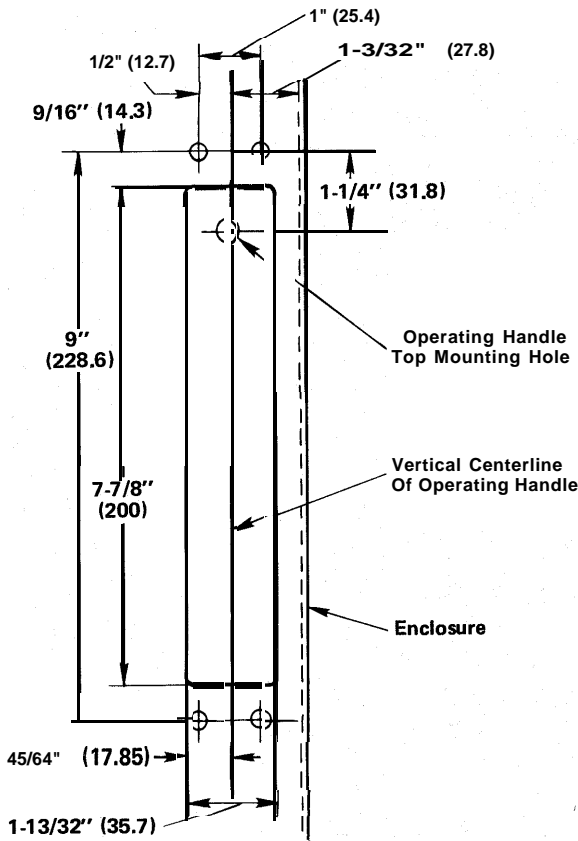


Figure 1

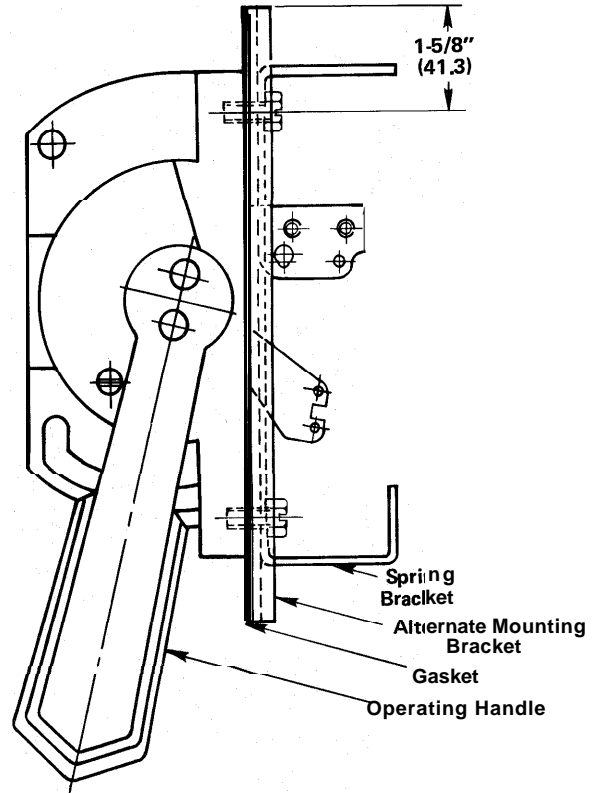


Figure 2

1. The alternate mounting method is recommended only where the enclosure flange thickness is between 3/16" (4.8) and 1/2" (12.7).
2. Provide the flange slot and holes as shown in Figure 1. **NOTE:** The flangedimension from the operating handle centerline to the enclosure wall increases to 1-3/32" (27.8) minimum.
3. Mount the operating handle and spring bracket to the alternate mounting bracket with the two 5/16 · 18 x 3/4" hex head screws and spring lock washers provided with the operating handle. **NOTE:** Install the gasket in the handle housing groove.
4. Place the flat gasket over the operating handle and against the alternate mounting bracket as shown in Figure 2.
5. Insert the assembly through the flange slot from the inside of the enclosure and secure it in position with the four 1/4 - 20 x 1" screws, lock washers and hex nuts provided.
6. Continue assembly procedure per operating handle instructions (40050-837-01).

**NOTE:** Dimensions shown in parentheses are in millimeters.

# Allen-Bradley Drives

