



NEMA TYPE 4X LONG OPERATING HANDLE

For Right Hand Flange Operation

Catalog Number 1494V-R2

Instruction Sheet

WARNING:

- ! To avoid hazards of electrical shock, remove all power before proceeding. Auxiliary contacts commonly control separate sources of power. Be sure they and **all** sources of power are disconnected. **The procedures outlined below should only be performed by qualified personnel familiar with the operation of the equipment in which the switch is mounted.**
-

Notes

1. Use on enclosures with flange thickness from .093 (2.4) to .250 (6.4) inch.
2. Installation instruction Steps 1,2 and 7 do not apply to installations in Allen-Bradley Bulletin 1450 Rosite Enclosures. Refer to the section for DR and ER Module modifications on Page 3.
3. In all applications, when trying to open the door with the operating handle in the "ON" position, the door catch must engage the defeater lever and prevent the door from opening until the defeater screw is turned.

Installation Instructions

1. The flange details and door catch location must be per Figures 1 and 2 of this instruction sheet. The balance of the enclosure dimensions must meet the requirements of the disconnecting means installation instruction sheet.
2. Provide the flange drilling as required in Figure 1 and Figure 2 on Page 2. (Except for Bulletin 1450 Enclosures.)

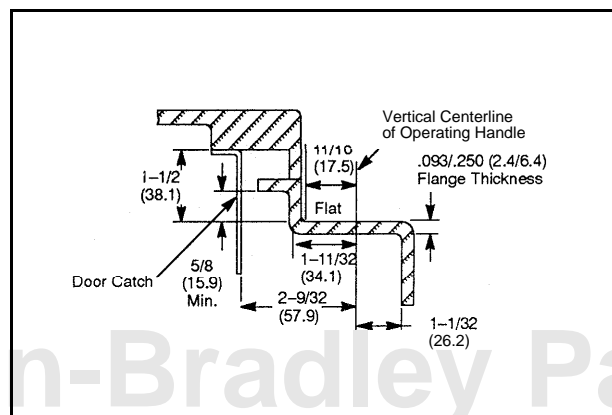


Figure 1 - Flange Details

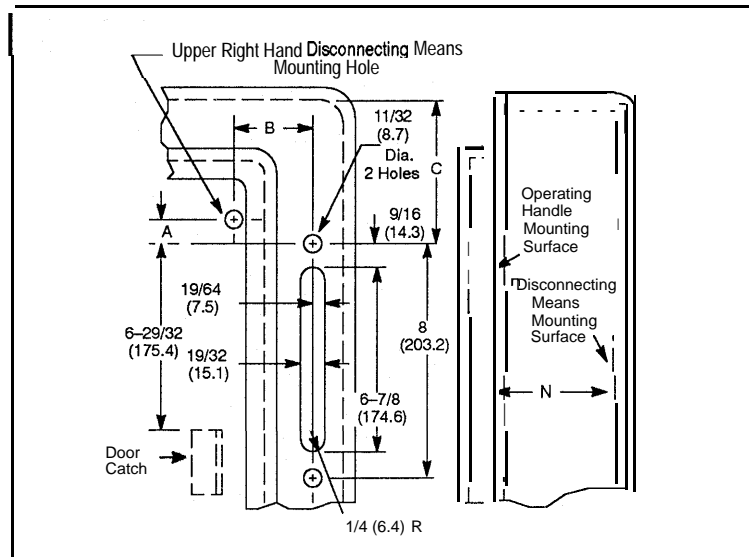



Figure 2 - Flange Drilling

DIMENSIONS IN INCHES (MILLIMETERS)

Series	Disconnecting Means Catalog No.	A	B	C	F 	N	
						Min.	Max.
A	1494V-DS200	2-13/16 (71.4)	1-31/32 (50)	7-27/64 (188.5)	4 (101.6)	8-3/8 (212.7)	23 (584.2)
A	1494V-DS400	5-5/32 (131)	2-5/64 (52.8)	13-3/16 (334.9)	8 (203.2)		

The values for "F" are the wire bending space for the values of "C" specified. Any change required for "F" will cause an identical change in "C".

3. Locate the upper right hand mounting hole for the disconnecting means as shown in Figure 2. To locate the remaining mounting holes, use the disconnecting means instruction sheet.
4. Mount the operating handle, gasket, spring bracket and the handle support bracket as shown in Figure 3 using two 5/16" 18 x 7/8" (22.2) screw assemblies. Apply furnished grease to the gasket before installing in the handle housing groove. Tighten the mounting screws which hold the operating handle spring bracket and support bracket to the flange to 50 lb-in. torque.

NOTE: When the flange thickness is between .093 (2.4) and .187 (4.8) also use one .109 (2.8) thick washer on each screw assembly.

5. Fasten the door catch as shown in Figures 1 and 2. Hardware to be supplied by user. For Allen-Bradley Bulletin 1450 corrosion resistant glass polyester enclosures, the two #8-18 x 5/8" (15.9) thread cutting screws furnished are used. (See DR and ER module modifications on page 3 and hole information in figure 4, page 4.)

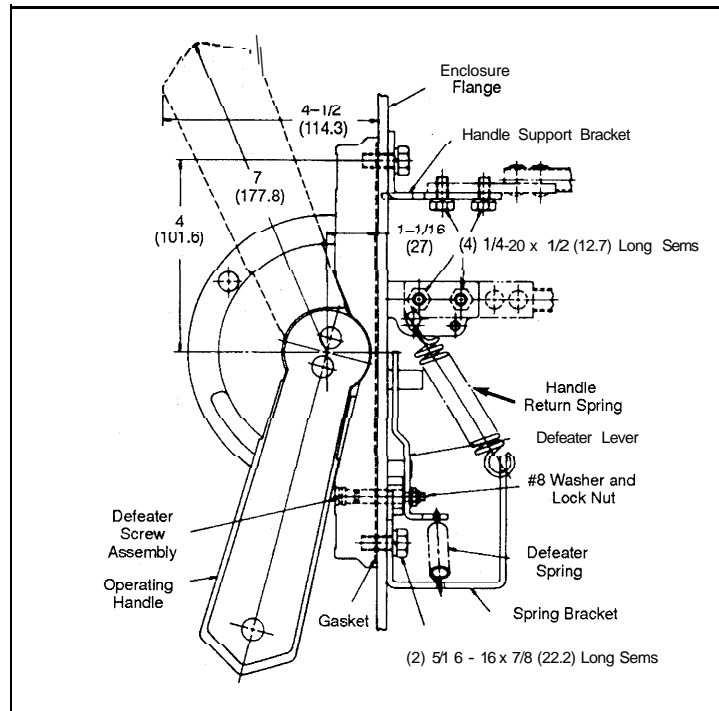


Figure 3

Note: Dimensions shown in inches (millimeters).

6. Insert the defeater screw assembly into the handle housing. Then fasten the defeater lever with the #8 flat washer and nylon inserted lock nut as shown in Figure 3. Keep the defeater screw assembly engaged with the defeater lever and tighten the nut to 15 lb.-in. torque. Attach the defeater spring.
7. Use the disconnecting means instruction sheet to determine the connecting and support rod lengths, assembly and adjustments.

DR and ER Module Modifications

DR = 21" width x 76" length (533.4 x 1930.4)
ER = 32" width x 76" length (812.8 x 1930.4)

1. Provide the flange drilling as shown in Figure 4.
2. Drill the two holes on the inside of the door for the door catch mounting screws. **DO NOT DRILL THROUGH.**
3. Fasten the door catch with the two #8-18 x 5/8" (15.9) thread cutting screws. Tighten the screws to 15 lb.-in. torque. The notch in the door catch must face upward.
4. Proceed with Steps 3 through 6 of the installation instructions section of this instruction sheet.

Instruction Sheet

NEMA Type 4X Long Operating Handle

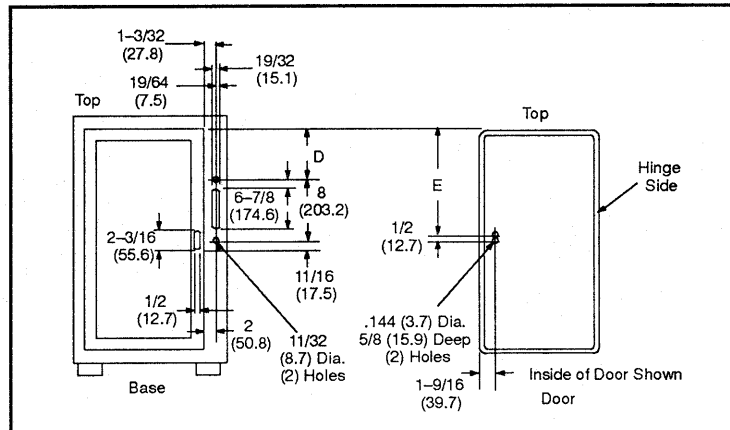


Figure 4

DIMENSIONS IN INCHES (MILLIMETERS)				
Series	Disconnecting Means Catalog No.	D	E	F ¹
A	1494V-DS200	9-3/4 (247.7)	17-1/8 (435)	7-9/16 (192)
A	1494V-DS400	15-29/32 (404)	23-9/32 (591)	12 (304.8)

¹ The values for "F" are the wire bending space for the values of "D" specified when Allen-Bradley pressure connectors are used on the devices. Any change required for "F" will cause an identical change in "D" and "E".

NOTE: Dimensions shown in inches (millimeters).

© 1992 Allen-Bradley Company



A subsidiary of Rockwell International, one of the world's largest technology companies, Allen-Bradley meets today's automation challenges with over 85 years of practical plant floor experience. More than 13,000 employees throughout the world design, manufacture and apply a wide range of control and automation products and supporting services to help our customers continuously improve quality, productivity and time to market. These products and services not only control individual machines, but also integrate the manufacturing process while providing access to vital plant floor data that can be used to support decision-making throughout the enterprise.

With offices in major cities worldwide.

WORLD HEADQUARTERS
Allen-Bradley
1201 South Second Street
Milwaukee, WI 53204 USA
Tel:(414) 382-2000
Telex:43 11 016
FAX:(414)382-4444

**EUROPE/MIDDLE EAST/
AFRICA HEADQUARTERS**
Allen-Bradley Europe B.V.
Amsterdamseweg 15
1422 AC Uithoorn
The Netherlands
Tel:(31) 2975/43500
Telex:(844) 18042
FAX:(31) 2975/60222

ASIA/PACIFIC HEADQUARTERS
Allen-Bradley (Hong Kong) Limited
Room 1006, Block B, Sea View Estate
2-8 Watson Road
Hong Kong
Tel:(852)887-4788
Telex:(780) 64347
FAX:(852)510-9436

CANADA HEADQUARTERS
Allen-Bradley Canada Limited
135 Dundas Street
Cambridge, Ontario N1R 5X1
Canada
Tel:(519)623-1810
FAX:(519)623-8930

**LATIN AMERICA
HEADQUARTERS**
Allen-Bradley
1201 South Second Street
Milwaukee, WI 53204
Tel:(414)382-2000
Telex:43 11 016
FAX:(414)382-2400