



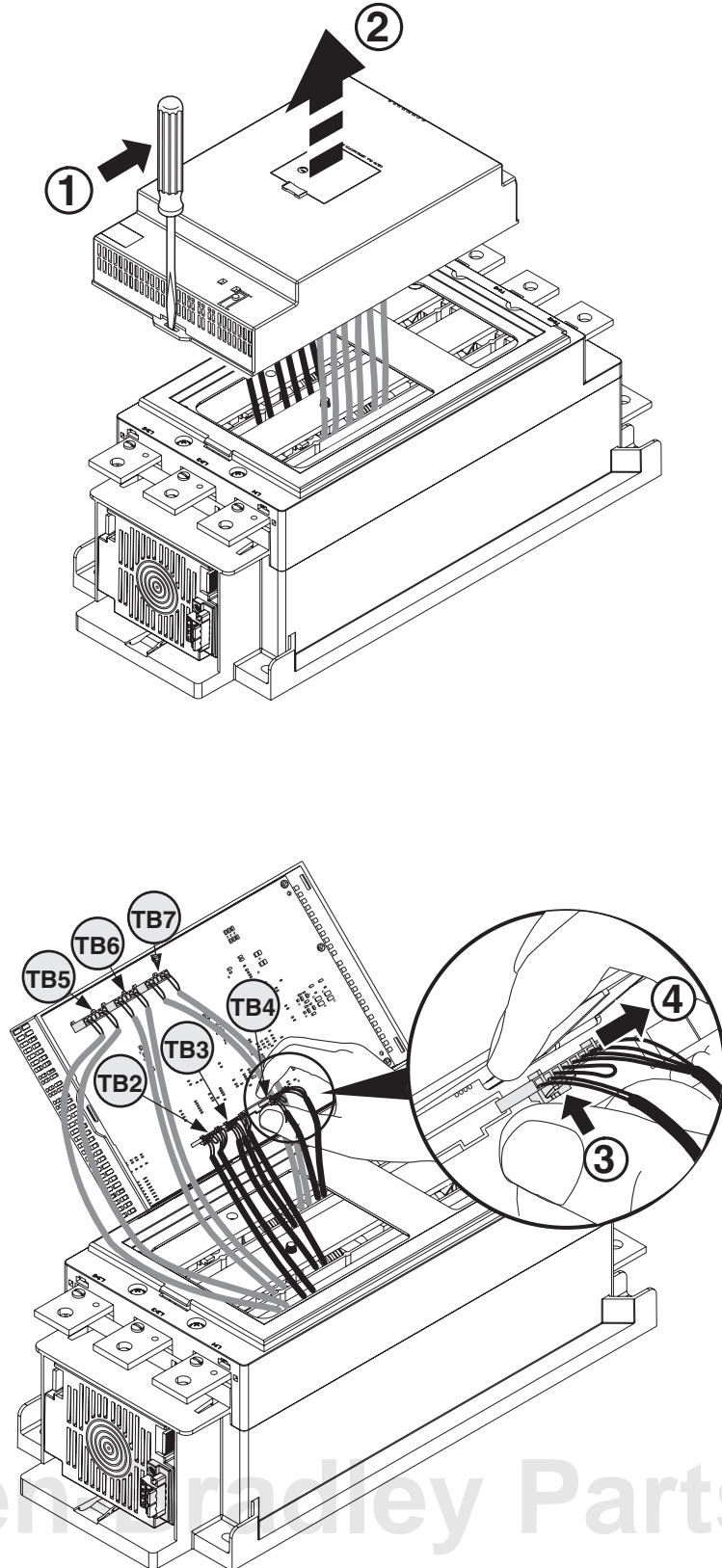
# SMC-3 (108-135A) Series B Power Pole and Control Module Replacement

(150-CPP108\_, -CPP135\_, -CS1\_, -CS2\_)



**ATTENTION:** To prevent electrical shock, disconnect from power source before installing or servicing. Install in suitable enclosure. Keep free from contaminants.

## Control Module Removal



# Control Module Installation

