



SMC-3™/SMC-Delta™ Auxiliary Installation Instructions

(Cat 150-CA _ _)

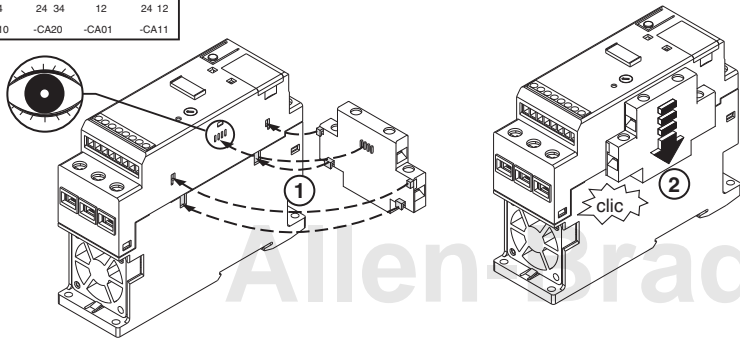


WARNING

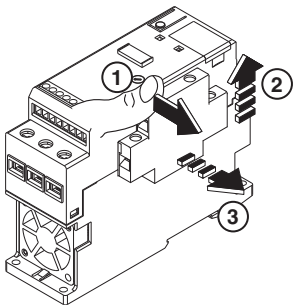
To prevent electrical shock, disconnect from power source before installing or servicing.

Installation


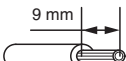


23	23 33	11	11/23
24	24 34	12	24 12
-CA10	-CA20	-CA01	-CA11



Removal



Wire Sizes

	 <p>9 mm</p>	<p>1 x 0.75 ... 2.5 mm² No. 18 ... 14 AWG</p>	<p>1 ... 1.1 N•m 8.9 ... 10 lb•in</p> 
		<p>1 x 0.75 ... 2.5 mm² No. 18 ... 14 AWG</p>	