



SMC-3™ MOV Protective Module Installation Instructions

(Cat 150-C8 _ P)



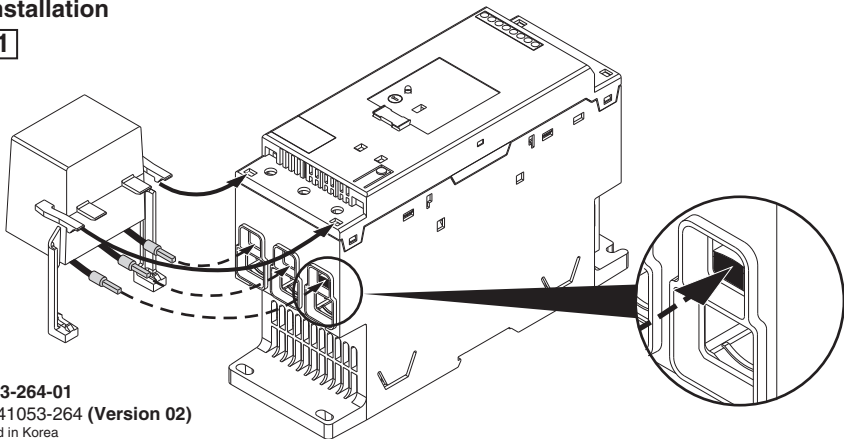
WARNING

To prevent electrical shock, disconnect from power source before installing or servicing.

Protective modules must **NOT** be mounted on the load side when used with controllers that use an inside-the-delta motor connection. Installing them with an inside-the-delta motor connection will result in immediate damage to the protective module.

Installation

1

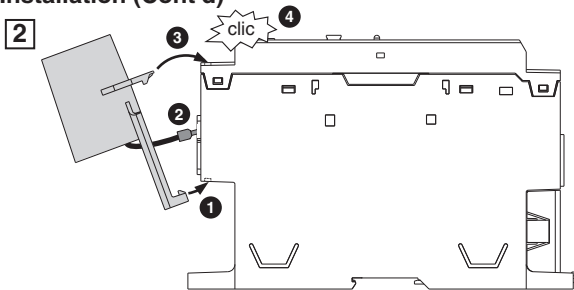


41053-264-01

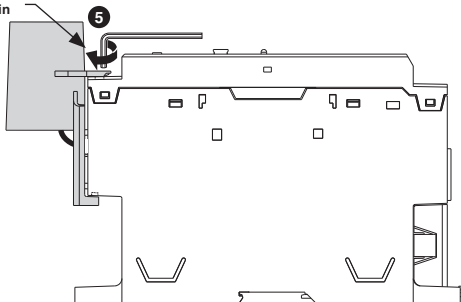
DIR 41053-264 (Version 02)

Printed in Korea

Installation (Cont'd)



2.3 - 2.5 Nm
20 - 22 lb-in



41053-264-01
DIR 41053-264 (Version 02)
Printed in Korea

**Rockwell
Automation**