



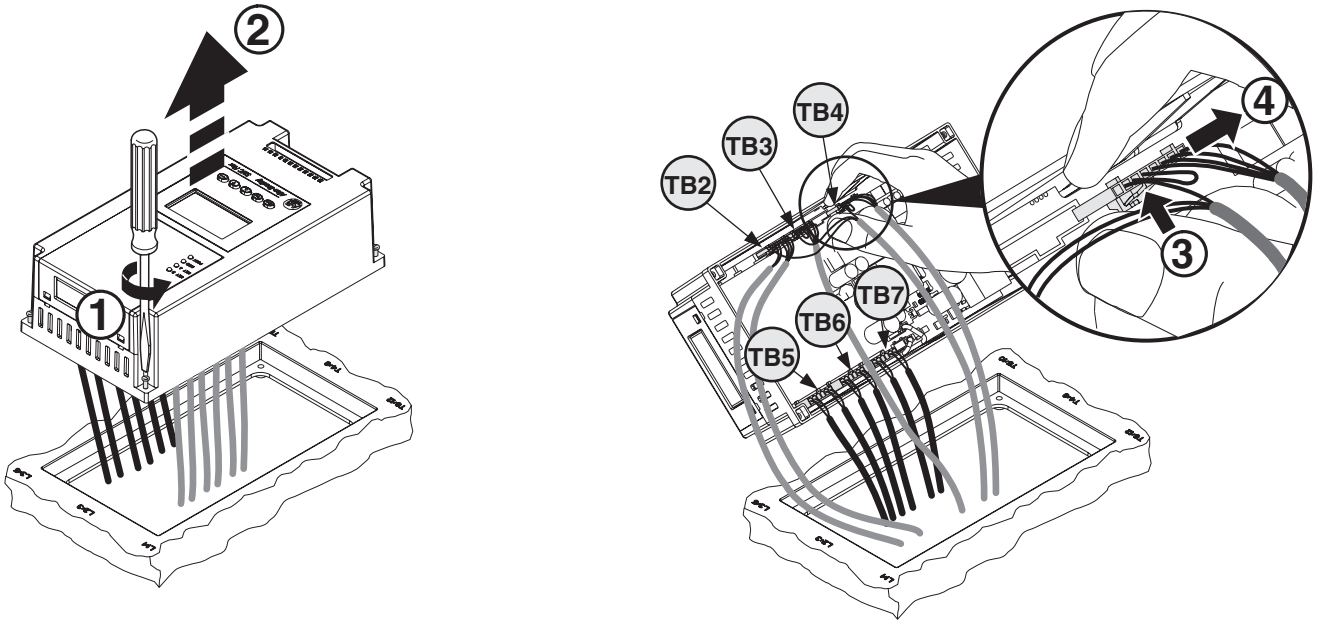
SMC-Flex (5-1250A) Control Module Replacement

(Cat 41391-454-01-_, 41391-454-02-_, 41391-454-05-_)



ATTENTION: To prevent electrical shock, disconnect from power source before installing or servicing. Install in suitable enclosure. Keep free from contaminants. Follow NFPA 70E Requirements.

Control Module Removal



Control Module Installation

