

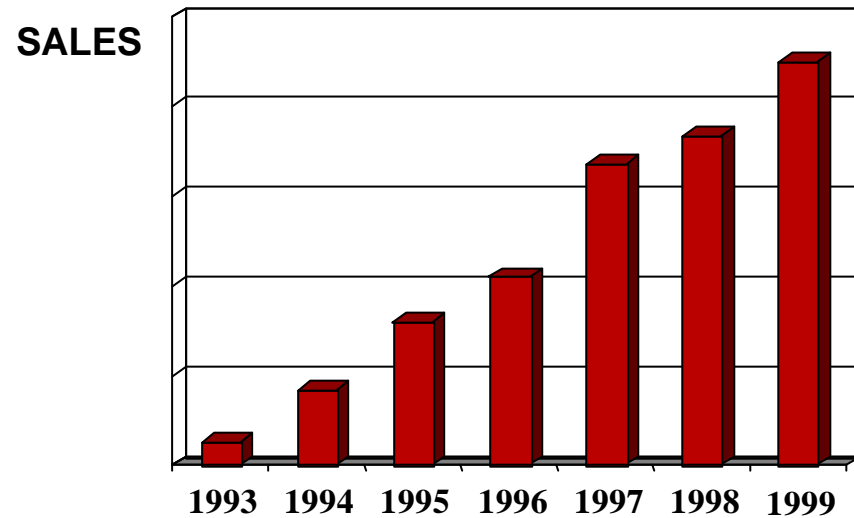


***Top 5 Reasons  
Why the Bulletin 1557  
is the Preferred Choice  
in MV Drive  
Speed Control***

Allen-Bradley PLCs



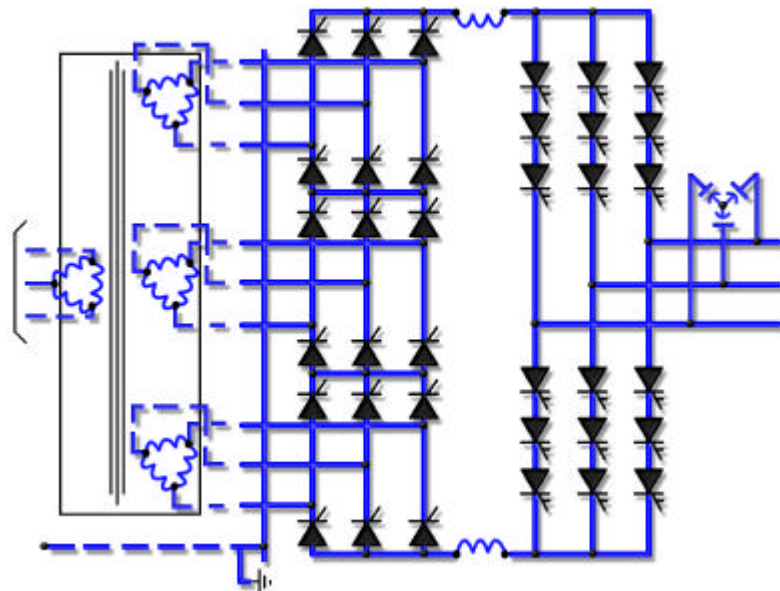
# Market Leadership



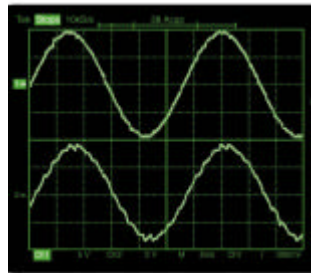
## *Customer Benefits*

- **Industrial Experience.**
  - A proven winner with over 1000 units installed in industries and applications around the world similar to yours.
- **Global Product**
  - CE Mark
  - 1000-6900 Volts
  - 100-16,000 HP
- **Continuous investment in product developments and improvements**
  - Results in a perfect blend of proven technology and the latest innovations.

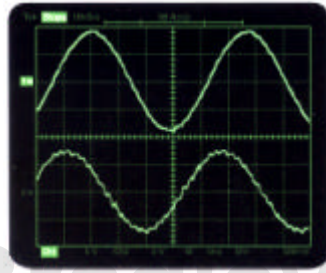
# Technology Leadership



1557 with 18 Pulse Rectifier



Input Waveforms



Output Waveforms

## Customer Benefits

- **Sinusoidal motor waveforms at all speeds and loads eliminates concerns for motor heating or insulation stress.**
  - On a recent large Utility project, all four MV motor suppliers chose the 1557 as the preferred drive to control their motor.
- **Meet IEEE 519 harmonic guidelines**
  - 6,12, 18 Pulse rectifiers
  - PWM Rectifier
- **Up to 6500 Volt rated power semi-conductors reduces component count and increases reliability**
- **High drive and system efficiency**
  - 98.6% VFD only
  - 97.32% VFD & transformer
- **Sensorless Vector Control for superior performance over V/Hz drives**

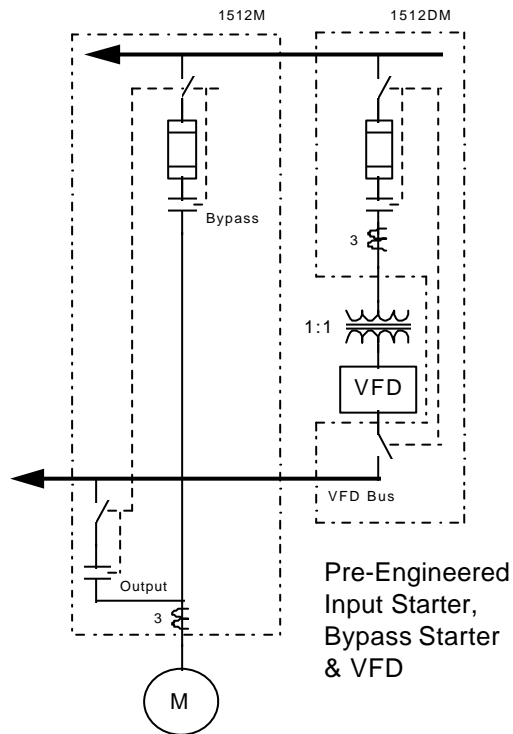
# Ease of Use



## ***Customer Benefits***

- **Automatic Self Tuning Control (ASTC)**
  - Auto-tuning results in faster start-ups and less down time during troubleshooting.
- **Any Motor**
  - Controls the speed of any MV motor including induction, synchronous, and wound rotor type. Ideal for retrofit or new motors.
- **User Friendly operator interface**
  - extensive diagnostic and trending data helps pinpoint problems accurately and quickly

# Standardization



- Pre-Engineered Drives
- Pre-Engineered Starters
  - Input / output / bypass
  - Synchronous Transfer
- Pre-engineered Options
- Automated Business Systems

## *Customer Benefits*

- **Lower Project Cost**
- **Fast Delivery.**
  - Pre-Engineered 6-8 Weeks
  - Engineered 10-16 Weeks
  - Mod Shop Contact Factory
- **Certified Standard Drawings**
- **Fast, Accurate Quotes**
  - PowerOne quotation software linked to order entry, engineering, and manufacturing
- **Flexible Options**
- **One Stop Shopping**
  - no finger pointing

Allen-Bradley PLCs

**Rockwell  
Automation**

# Customer Focus



## *Customer Benefits*

- Flexibility
- Responsiveness
- Rockwell Reputation
- Support our Customers
- Never leave a problem
- Forward/backward migration path