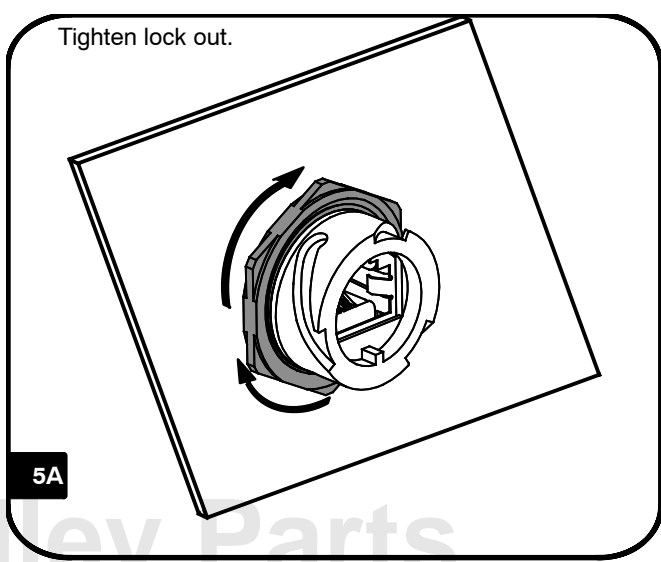
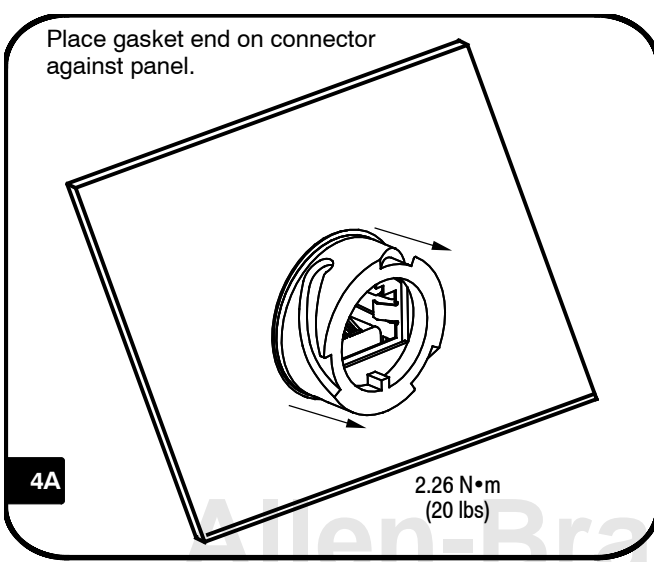
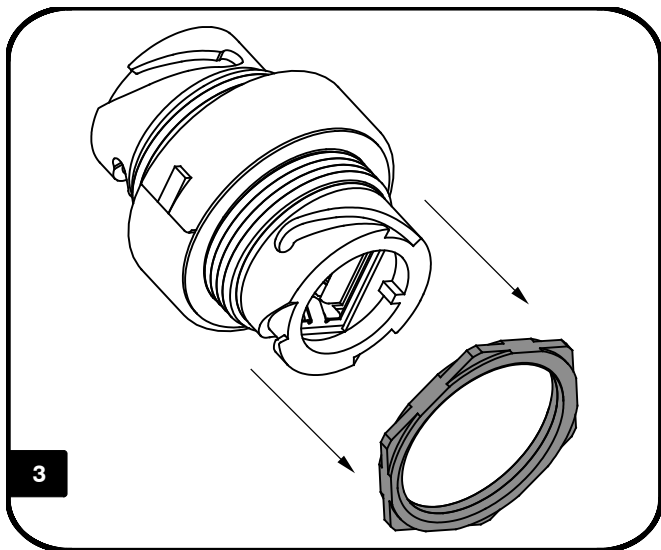
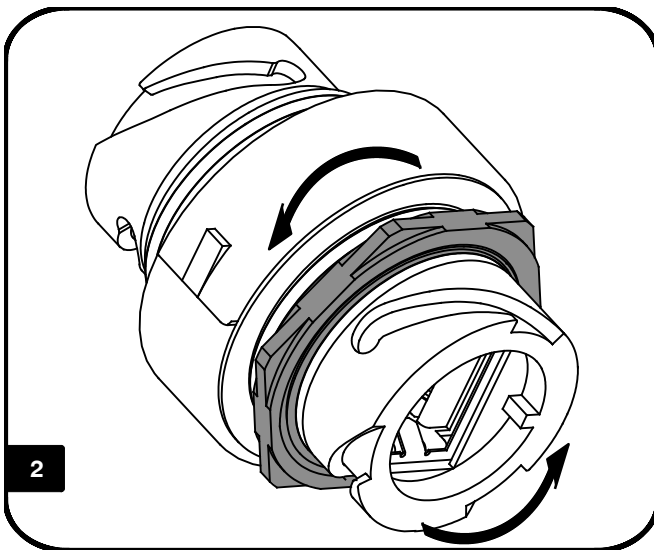
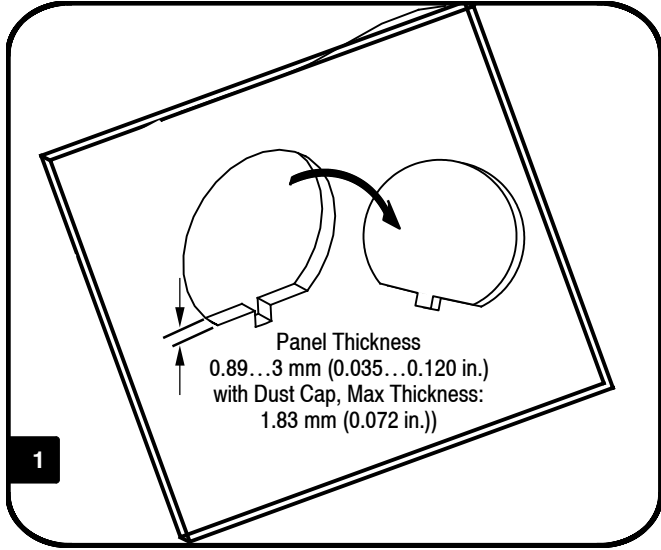
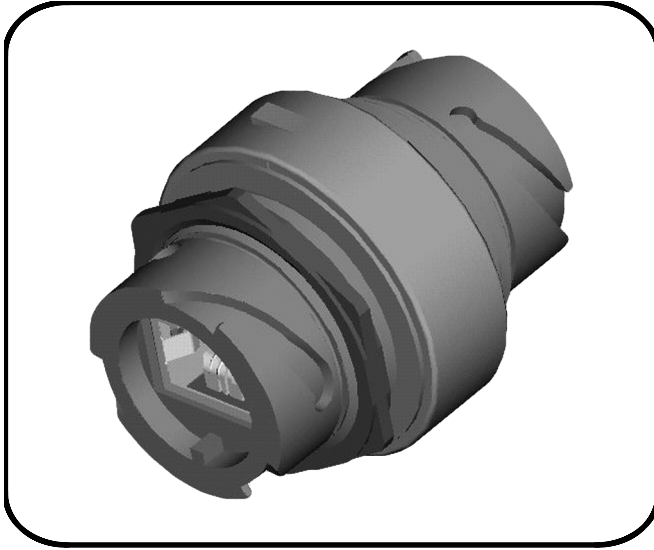


# Installation Instructions Bulletin 1585BP Bulkhead Coupler

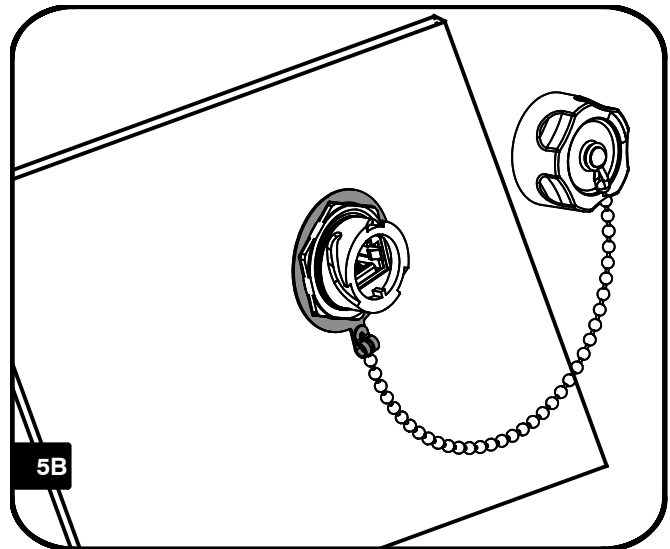
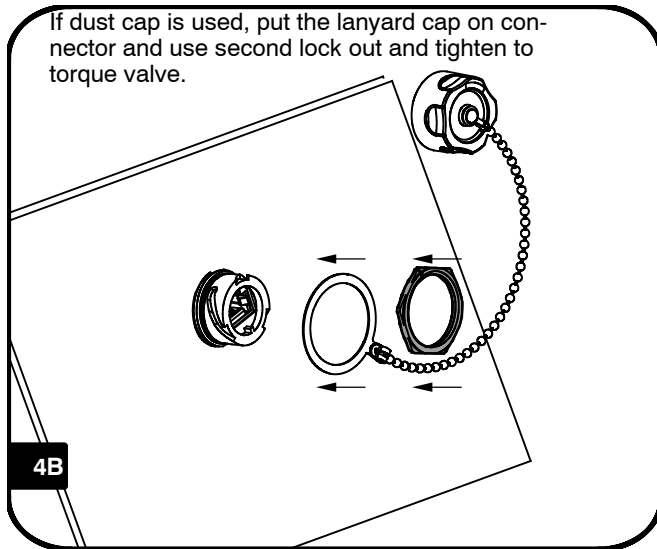


**IMPORTANT: SAVE THESE INSTRUCTIONS FOR FUTURE USE.**  
Refer to the product catalog pages for additional information.



## Optional Dust Cap

If dust cap is used, put the lanyard cap on connector and use second lock out and tighten to torque valve.



**ATTENTION:** To assist safe installation, comply with the following:

- A. Use caution when installing or modifying telecommunications circuits.
- B. Never touch uninsulated wire terminals unless the circuit has been disconnected.
- C. Never install this device in a wet location.
- D. Never install wiring during a lightning storm.

[www.rockwellautomation.com](http://www.rockwellautomation.com)

### Power, Control and Information Solutions Headquarters

Americas: Rockwell Automation, 1201 South Second Street, Milwaukee, WI 53204 USA, Tel: (1) 414.382.2000, Fax: (1) 414.382.4444

Europe/Middle East/Africa: Rockwell Automation, Vorstlaan/Boulevard du Souverain 36, 1170 Brussels, Belgium, Tel: (32) 2 663 0600, Fax: (32) 2 663 0640

Asia Pacific: Rockwell Automation, Level 14, Core F, Cyberport 3, 100 Cyberport Road, Hong Kong, Tel: (852) 2887 4788, Fax: (852) 2508 1846

**PN-26348**

Printed in USA