

# On-Machine Power Supply Specifications

Bulletin Number 1607

Topic	Page
Specifications	2

## Additional Resources

These documents contain additional information concerning related products from Rockwell Automation.

Resource	Description
Industrial Automation Wiring and Grounding Guidelines, publication <a href="#">1770-4.1</a>	Provides general guidelines for installing a Rockwell Automation industrial system.
Product Certifications website, <a href="http://www.ab.com">http://www.ab.com</a>	Provides declarations of conformity, certificates, and other certification details.

You can view or download publications at <http://www.rockwellautomation.com/literature/>. To order paper copies of technical documentation, contact your local Allen-Bradley distributor or Rockwell Automation sales representative.



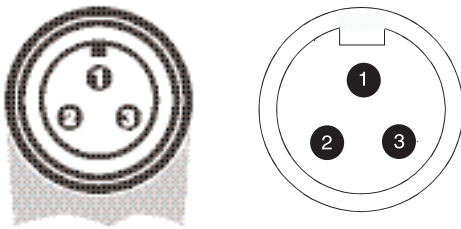
Specifications

	1607-XT50D1A	1607-XT100D1A	1607-XT200D1A	1607-XT200D2A
Output Power	50 W	91.2 W	192 W (288 W with bonus power)	91.2 W per output
Input Voltage (47...63 Hz)	100...240V AC, 100...353V DC		100...240V AC, 100...300V DC	
Operational Range	90...264V AC, 100...353V DC		90...264V AC, 100...300V DC	
Hold-up Time	50 ms			
Rated Input Current	1.0 A (115V AC), 0.5 A (230V AC)	2.0 A (115V AC), 1.0 A (230V AC)	2.4 A (115V AC), 1.2 A (230V AC)	2.2 A (115V AC), 1.1 A (230V AC)
Inrush Current	<25 A			
Efficiency	>88%, 120V AC >89%, 230V AC		>82%, 120V AC >85%, 230V AC	
Output Voltage	24V (+1%)			
Rated Output Current	2.0 A	3.8 A	8 A	3.8 A per output
Ripple Voltage	<240 mV <sub>PP</sub> bandwidth, 1 MHz			
Noise	<480 mV <sub>PP</sub> bandwidth, 20 MHz			
Overcurrent Protection	electronic current limited to 2.2...2.7 A	electronic current limited to 3.8...4.1 A	electronic current limited to 12.1...15.6 A (8.4...10.4 A after 4 s bonus power times out)	electronic current limited to 3.8...4.1 A
AC Power On LED Indication for Output 1	yes			
Operating Temperature Range (T <sub>amb</sub> )	-25...+70 °C derate 2.5%/K, 50...70 °C		-25...+60 °C derate 2%/K, 50...60 °C	
Non-Operating Temperature Range	-40...+85 °C			
Humidity	up to 100% with condensation			
MTBF <sup>Δ</sup>	>500 000 hours			
Dimensions (W x H x D)	140 x 36 x 85 mm (5.51 x 1.42 x 3.35 in.)		187 x 74 x 122 mm (7.36 x 2.91 x 4.80 in.)	
Weight	750 g (1.65 lb)		3040 g (6.70 lb)	
Ingress Protection	IP67, EN 60529			
Certifications/Standards	CE, UL 508 (UL LISTED), UL 60950 (cURus), Safety standards = IEC/EN 60950, EN 60529 CE EN 60950; cULus Listed, UL508, cURus Recognized UL60950/CSA C22.2, No. 60950-1			
Special Features	NEC Class 2		—	NEC Class 2

<sup>Δ</sup> MTBF determined by Siemens norm SN 29500 at full load current and 40 °C.

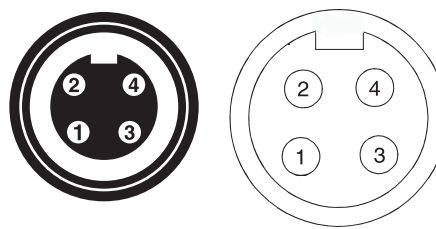
Pinouts

Input



Pin	Connection
1	NC
2	L
3	N

Output

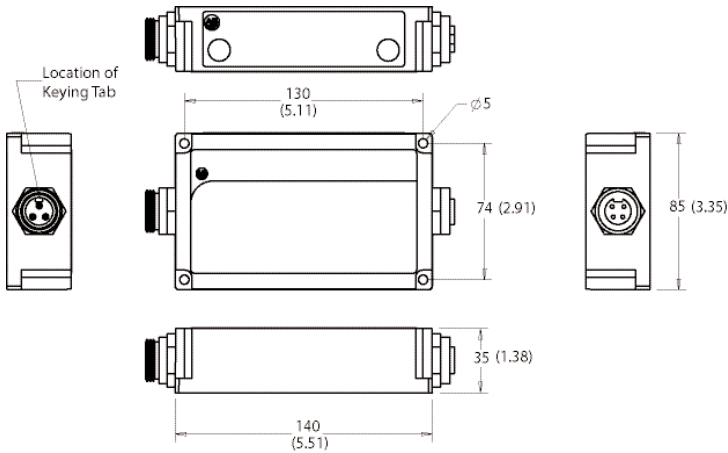


Pin	Connection
1	+
2	+
3	-
4	-

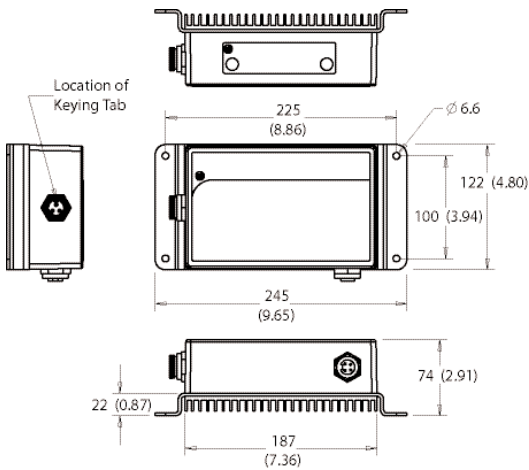
Approximate Dimensions

Dimensions in millimeters (inches). Dimensions are not intended to be used for manufacturing purposes.

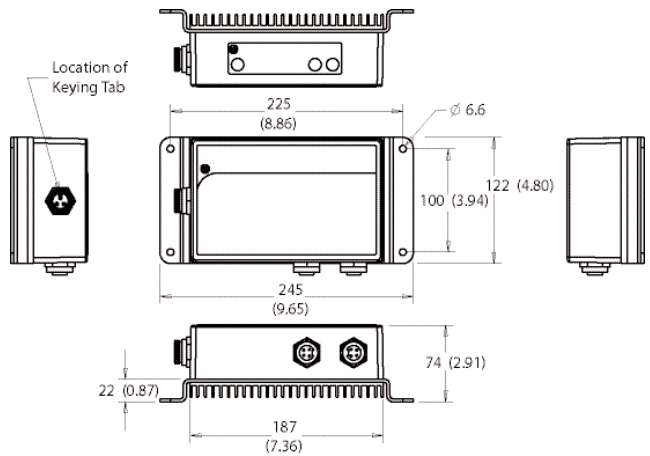
1607-XT50D1A and 1607-XT100D1A



1607-XT200D1A



1607-XT200D2A



Allen-Bradley HMIs

## Important User Information

Read this document and the documents listed in the additional resources section about installation, configuration, and operation of this equipment before you install, configure, operate, or maintain this product. Users are required to familiarize themselves with installation and wiring instructions in addition to requirements of all applicable codes, laws, and standards.

Activities including installation, adjustments, putting into service, use, assembly, disassembly, and maintenance are required to be carried out by suitably trained personnel in accordance with applicable code of practice.

If this equipment is used in a manner not specified by the manufacturer, the protection provided by the equipment may be impaired.

In no event will Rockwell Automation, Inc. be responsible or liable for indirect or consequential damages resulting from the use or application of this equipment.

The examples and diagrams in this manual are included solely for illustrative purposes. Because of the many variables and requirements associated with any particular installation, Rockwell Automation, Inc. cannot assume responsibility or liability for actual use based on the examples and diagrams.

No patent liability is assumed by Rockwell Automation, Inc. with respect to use of information, circuits, equipment, or software described in this manual.

Reproduction of the contents of this manual, in whole or in part, without written permission of Rockwell Automation, Inc., is prohibited.

## Documentation Feedback

Your comments will help us serve your documentation needs better. If you have any suggestions on how to improve this document, complete this form, publication [RA-DU002](#), available at <http://www.rockwellautomation.com/literature/>.

Allen-Bradley, Rockwell Software, Rockwell Automation, and LISTEN. THINK. SOLVE are trademarks of Rockwell Automation, Inc.  
Trademarks not belonging to Rockwell Automation are property of their respective companies.

Rockwell Otomasyon Ticaret A.Ş., Kar Plaza İş Merkezi E Blok Kat:6 34752 İçerenköy, İstanbul, Tel: +90 (216) 5698400

**[www.rockwellautomation.com](http://www.rockwellautomation.com)**

---

### Power, Control and Information Solutions Headquarters

Americas: Rockwell Automation, 1201 South Second Street, Milwaukee, WI 53204-2496 USA, Tel: (1) 414.382.2000, Fax: (1) 414.382.4444  
Europe/Middle East/Africa: Rockwell Automation NV, Pegasus Park, De Kleetlaan 12a, 1831 Diegem, Belgium, Tel: (32) 2 663 0600, Fax: (32) 2 663 0640  
Asia Pacific: Rockwell Automation, Level 14, Core F, Cyberport 3, 100 Cyberport Road, Hong Kong, Tel: (852) 2887 4788, Fax: (852) 2508 1846