



Allen-Bradley

User Manual for 8000/10000 VA UPS

1609-P8000E

8000 VA 200-240 VAC

1609-P10000E

10000 VA 200/240 VAC

Tower/Rack-Mount 6U
Uninterruptible Power Supply



Allen-Bradley Drives

INSTALLATION

Read the safety information sheet before installation.

Unpacking

Inspect the UPS upon receipt. Notify the carrier and dealer if there is damage.

The packaging is recyclable; save it for reuse or dispose of it properly.

Check the package contents:

- UPS
- Two front bezels
- Literature kit containing:
 - PowerChute[®] *Business Edition* CD
 - Bulletin 1609-P Series User Manual CD
 - 1609-NMC (Network Management Card installed in slot located in rear of unit)
 - Network Management Card CD
 - Serial cable
 - Quick Start Guide

Removing the Batteries

The unit is heavy. To lighten the unit, remove the batteries. Refer to the unpacking instructions on the carton in which the unit is shipped.



Environmental Specifications

TEMPERATURE <i>OPERATING</i> <i>STORAGE</i>	32° to 104° F (0° to 40° C) 5° to 113° F (-15 to 45 °C) charge UPS battery every six months	This unit is intended for indoor use only. Select a location sturdy enough to handle the weight. Do not operate the UPS where there is excessive dust or the temperature and humidity are outside the specified limits. Ensure the air vents on the front and rear of the UPS are not blocked.
MAXIMUM ELEVATION <i>OPERATING</i> <i>STORAGE</i>	10,000 ft (3,000 m) 50,000 ft (15,000 m)	
HUMIDITY	0% to 95% relative humidity, non-condensing	

Hardwiring

Wiring must be performed by a qualified electrician.

1. Install a utility circuit breaker in accordance with local electrical codes (see tables below) for input wiring only.
2. Switch the UPS input circuit breaker and utility circuit breakers OFF.
3. Remove the access panel.
4. Remove circular knockouts.
5. Run wires through access panel to terminal blocks. Wire to ground block first. **Adhere to all national and local electrical codes.**
6. Use appropriate glands to achieve strain-relief on the hardwired input and output power cables.

Input Connection	Output Connection (optional)
Wire to L1, L2, 	Wire to L1A, L2A, 

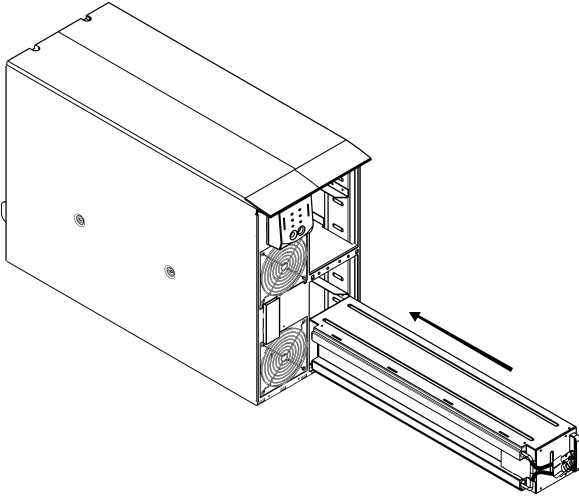
System	Wiring	Voltage	Current Full Load (Nominal)	External Input Circuit Breaker (typical)	Wire Size (typical)
1609-P8000E	Input & Output	208/230 V	40 A <i>XLTW</i> - 38 A	50 A / 2-pole for Input Wiring Only Allen-Bradley Catalog Number 1492-MCAA2H50	# 8 AWG/ 10mm ²
1609-P10000E	Input & Output	208/230 V	54 A <i>XLTW</i> -50 A	70 A / 2-pole for Input Wiring only Allen-Bradley Catalog Number 1492-MCBA2H70	# 6 AWG/ 16mm ²

7. Switch the circuit breakers ON.
8. Check line voltages.
9. Replace the access panel.

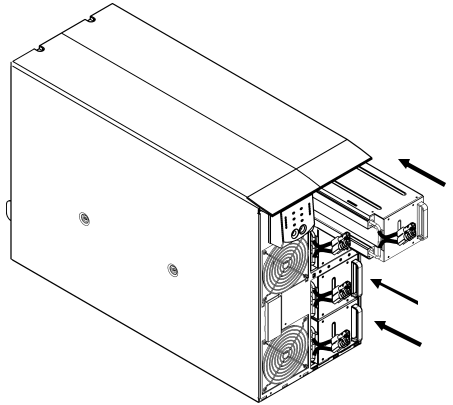
Allen-Bradley Drives

Installing and Connecting the Batteries and Attaching the Front Bezel

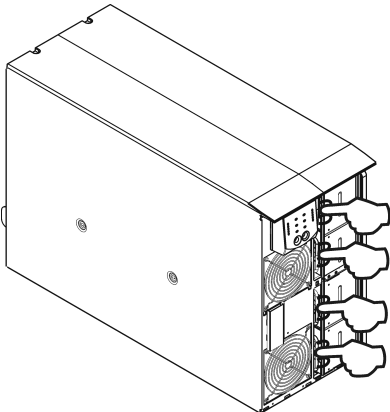
1



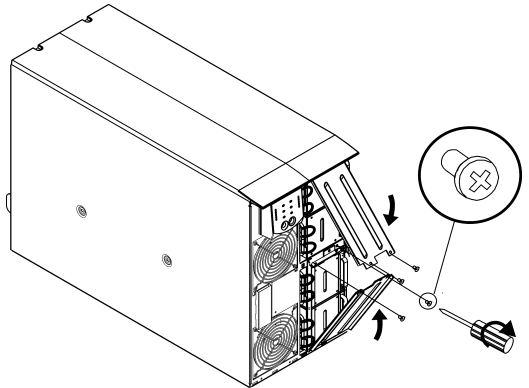
2



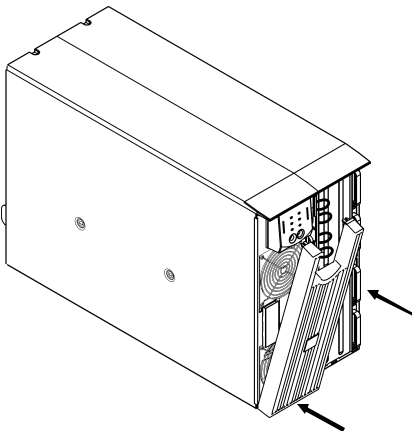
3



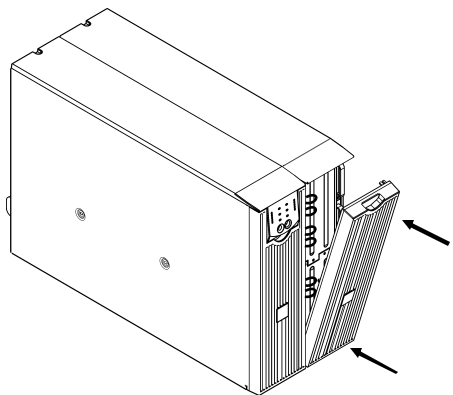
4




5



6



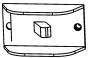
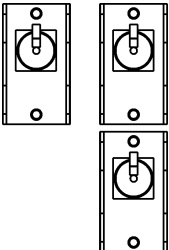
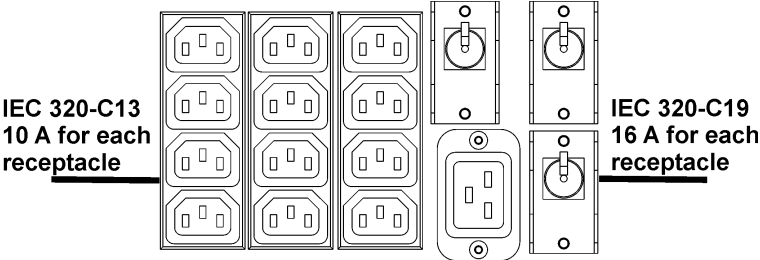
Connecting Power and Equipment to the UPS





1. Hardwire the UPS (see *Hardwiring*).
2. Connect equipment to the UPS.
3. Turn on all connected equipment. To use the UPS as a master *on/off* switch, be sure that all connected equipment is switched ON.
4. Press the  button on the front panel to power up the UPS.
 - The battery charges to 90% capacity during the first three hours of normal operation. **Do not** expect full battery run capability during this initial charge period.

OPTIONS

- External Battery Pack (1609-PXBP)
- Rail Installation Kit (1609-PRK1)
- Isolation Transformer (1609-5000CCT)

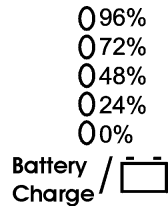
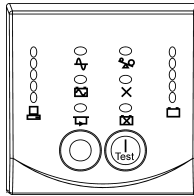
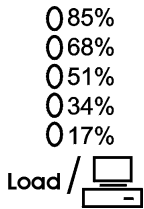
CIRCUIT BREAKERS




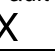

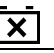
<p><i>Input Circuit Breaker</i> 8000/10000 VA</p> 	<p>The UPS is protected from extreme overloads when in ON position. The breaker must be on for the UPS to operate.</p>
<p><i>Output Circuit Breaker</i> 8000/10000 VA</p> 	 <p>IEC 320-C13 10 A for each receptacle</p> <p>IEC 320-C19 16 A for each receptacle</p>



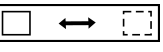
BASIC CONNECTORS	
 <p>serial port</p>	<p>Power management software and interface cable can be used with the UPS.</p> <p>Use only a supplied or approved interface cable.</p> <p>Any other serial interface cable will be incompatible with the UPS connector.</p>
 <p>EPO Terminal</p>	<p>The optional Emergency Power Off (EPO) feature allows connected loads to be immediately de-energized from a remote location, without switching to battery operation (see <i>EPO Option</i>).</p>
 <p>TVSS Screw</p>	<p>The UPS features a transient voltage surge-suppression (TVSS) screw for connecting the ground lead on surge suppression devices such as telephone and network line protectors.</p> <p>When connecting grounding cable, disconnect the unit from the utility power outlet.</p>
 <p>external battery pack connectors</p>	<p>Optional external battery packs provide extended runtime during power outages. These units support up to 10 external battery packs.</p>






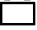




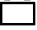






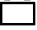

OPERATION

FRONT DISPLAY PANEL




Indicator	Description
Online 	The UPS is drawing utility power and performing double conversion to supply power to connected equipment (see <i>Troubleshooting</i>).
On Battery 	The UPS is supplying battery power to the connected equipment.
Bypass 	The UPS is in bypass mode, sending utility power directly to connected equipment. Bypass mode operation is the result of an internal UPS fault, an overload condition or a user initiated command either through an accessory or the manual bypass switch. Battery operation is not available while the UPS is in bypass mode (see <i>Troubleshooting</i>).
Fault 	The UPS detects an internal fault (see <i>Troubleshooting</i>).
Overload 	The connected loads are drawing more power than the UPS power rating (see <i>Troubleshooting</i>).
Replace Battery 	The battery is disconnected or must be replaced (see <i>Troubleshooting</i>).

Feature	Function
Power On 	Press this button to turn on the UPS. (Read on for additional capabilities.)
Power Off 	Press this button to turn off the UPS.
Feature	Function
Normal /By-pass 	Manually switch connected equipment to bypass mode, so that utility power is sent directly to connected equipment. Battery operation is not available while the UPS is in bypass mode. (See <i>Troubleshooting</i> .)

<p>Cold Start</p>	<p>This is not a normal condition.</p> <p>Supply immediate battery power to the UPS and connected equipment (see <i>Troubleshooting</i>). Press and hold the  button to power up the UPS and connected equipment. The UPS will emit two beeps. During the second beep, release the button.</p>																																										
<p>Self-Test</p>	<p>Automatic: The UPS performs a self-test automatically when turned on, and every two weeks thereafter (by default). During the self-test, the UPS briefly operates the connected equipment on battery.</p> <p>Manual: Press and hold the  button for a few seconds to initiate the self-test.</p>																																										
<p>Diagnostic Utility Voltage</p> <table border="0"> <tr> <td>200V</td> <td>208V</td> <td>220V</td> </tr> <tr> <td>0 236</td> <td>0 245</td> <td>0 256</td> </tr> <tr> <td>0 217</td> <td>0 226</td> <td>0 238</td> </tr> <tr> <td>0 199</td> <td>0 207</td> <td>0 219</td> </tr> <tr> <td>0 180</td> <td>0 189</td> <td>0 200</td> </tr> <tr> <td>0 161</td> <td>0 170</td> <td>0 181</td> </tr> <tr> <td></td> <td></td> <td></td> </tr> <tr> <td>230V</td> <td>240V</td> <td></td> </tr> <tr> <td>0 266</td> <td>0 276</td> <td></td> </tr> <tr> <td>0 248</td> <td>0 258</td> <td></td> </tr> <tr> <td>0 229</td> <td>0 239</td> <td></td> </tr> <tr> <td>0 210</td> <td>0 220</td> <td></td> </tr> <tr> <td>0 192</td> <td>0 202</td> <td></td> </tr> <tr> <td></td> <td></td> <td></td> </tr> </table>	200V	208V	220V	0 236	0 245	0 256	0 217	0 226	0 238	0 199	0 207	0 219	0 180	0 189	0 200	0 161	0 170	0 181				230V	240V		0 266	0 276		0 248	0 258		0 229	0 239		0 210	0 220		0 192	0 202					<p>The UPS has a diagnostic feature that displays the utility voltage. Plug the UPS into the normal utility power.</p> <p>The UPS starts a self-test as part of this procedure. The self-test does not affect the voltage display.</p> <p>Press and hold the  button to view the utility voltage bar graph display. After a few seconds the five-LED, <i>Battery Charge</i>  display on the right of the front panel shows the utility input voltage. Refer to the figure at left for the voltage reading (values are not listed on the UPS). The display indicates the voltage is between the displayed value on the list and the next higher value.</p>
200V	208V	220V																																									
0 236	0 245	0 256																																									
0 217	0 226	0 238																																									
0 199	0 207	0 219																																									
0 180	0 189	0 200																																									
0 161	0 170	0 181																																									
																																											
230V	240V																																										
0 266	0 276																																										
0 248	0 258																																										
0 229	0 239																																										
0 210	0 220																																										
0 192	0 202																																										
																																											

On Battery Operation

The UPS switches to battery operation automatically if the utility power fails. While running on battery, an alarm beeps four times every 30 seconds.

Press the  button to silence this alarm. If the utility power does not return, the UPS continues to supply power to the connected equipment until the battery is fully discharged.

When two minutes of runtime remain the UPS emits a continuous beep. If PowerChute or the Web/SNMP card is not being used, files must be manually saved and the computer must be properly shut down before the UPS fully discharges the battery.

USER CONFIGURABLE ITEMS

NOTE: SETTINGS ARE MADE THROUGH SUPPLIED POWERCHUTE SOFTWARE, OPTIONAL NETWORK MANAGEMENT CARDS, OR TERMINAL MODE.			
<i>FUNCTION</i>	<i>FACTORY DEFAULT</i>	<i>USER SELECTABLE CHOICES</i>	<i>DESCRIPTION</i>
Automatic Self-Test	Every 14 days (336 hours)	Every 7 days (168 hours), Every 14 days (336 hours), On Startup Only, No Self-Test	Set the interval at which the UPS will execute a self-test.
UPS ID	UPS_IDEN	Up to eight characters to define the UPS	Uniquely identify the UPS, (i.e. server name or location) for network management purposes.
Date of Last Battery Replacement	Manufacture Date	mm/dd/yy	Reset this date when you replace the battery modules.
Minimum Capacity Before Return from Shutdown	0 percent	0, 15, 25, 35, 50, 60, 75, 90 percent	Specify the percentage to which batteries will be charged following a low-battery shutdown before powering connected equipment.
Alarm Delay After Line Failure	5 second delay	5 second delay, 30 second delay, At Low Battery, Never	Mute ongoing alarms or disable all alarms permanently.
Shutdown Delay	20 seconds	0, 20, 60, 120, 240, 480, 720, 960 seconds	Set the interval between the time when the UPS receives a shutdown command and the actual shutdown.
Duration of Low Battery Warning.	2 minutes PowerChute software provides automatic, unattended shutdown when approximately two minutes of battery runtime remains.	2, 5, 7, 10, 12, 15, 18, 20 minutes.	The low battery warning beeps become continuous when two minutes of runtime remains. Change the warning interval to a higher setting if the operating system requires a longer interval for shutdown.
Synchronized Turn-on Delay	0 seconds	0, 20, 60, 120, 240, 480, 720, 960 seconds	Specify the time the UPS will wait after the return of utility power before turn-on (to avoid branch circuit overloads).
High Bypass Point	+10% of output voltage setting	+5%, +10%, +15%, +20%	Maximum voltage that the UPS will pass to connected equipment during internal bypass operation.

**NOTE: SETTINGS ARE MADE THROUGH SUPPLIED POWERCHUTE SOFTWARE,
OPTIONAL NETWORK MANAGEMENT CARDS, OR TERMINAL MODE.**

<i>FUNCTION</i>	<i>FACTORY DEFAULT</i>	<i>USER SELECTABLE CHOICES</i>	<i>DESCRIPTION</i>
Low Bypass Point	-30% of output voltage setting	-15%, -20%, -25%, -30%	Minimum voltage that the UPS will pass to connected equipment during internal bypass operation.
Output Voltage	208/230 V models: 230 VAC	208/230 V models: 200, 208, 220, 230, 240 VAC	Allows the user to select the UPS output voltage while online.
Output Frequency	Automatic 50 ± 3 Hz or 60 ± 3 Hz	50 ± 3 Hz 50 ± 0.1 Hz 60 ± 3 Hz 60 ± 0.1 Hz	Sets the allowable UPS output frequency. Whenever possible, the output frequency tracks the input frequency.
Number of Battery Packs	1	Number of Connected Batteries (four battery modules per pack)	Defines the number of connected battery packs for proper runtime prediction.

EPO (Emergency Power Off) Option

The output power can be disabled in an emergency by closing a switch connected to the EPO.

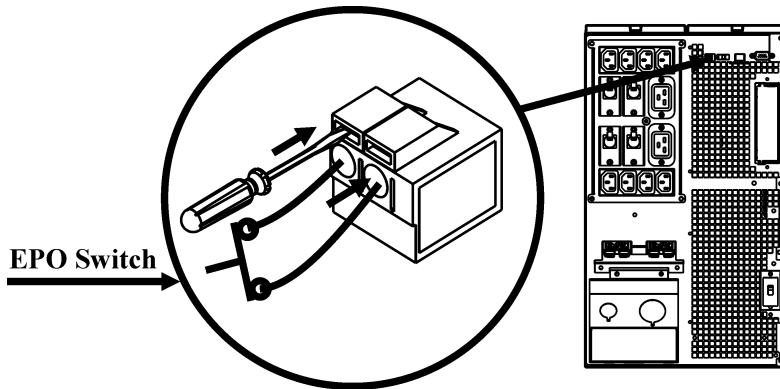
Adhere to national and local electrical codes when wiring.

Rockwell Automation recommends Allen-Bradley Catalog Number 800F Emergency Stop Operator as the interface to the EPO to connector.

The switch should be connected in a normally open switch contact. External voltage is not required; the switch is driven by 12 V internal supply. In closed condition, 2mA of current are drawn.

The EPO switch is internally powered by the UPS for use with non-powered switch circuit breakers.

The EPO circuit is considered a Class 2 circuit, (UL, CSA standards) and an SELV circuit (IEC standard).



Both Class 2 and SELV circuits must be isolated from all primary circuitry. Do not connect any circuit to the EPO terminal block unless it can be confirmed that the circuit is Class 2 or SELV. If circuit standard cannot be confirmed, use a contact closure switch.

Use one of the following cable types to connect the UPS to the EPO switch:

- CL2: Class 2 cable for general use
- CL2P: Plenum cable for use in ducts, plenums, and other spaces used for environmental air.
- CL2R: Riser cable for use in a vertical run in a floor-to-floor shaft.
- CLEX: Limited use cable for use in dwellings and for use in raceways.
- For installation in Canada: Use only CSA certified, type ELC (extra-low voltage control cable).
- For installation in other countries: Use standard low-voltage cable in accordance with local regulations.

Allen-Bradley Drives

Terminal Mode to Configure UPS Parameters

Terminal Mode is a menu driven interface that enables enhanced configuration of the UPS.

Connect the serial cable to the serial port on the back of the UPS.

When using PowerChute® *Network Shutdown* software:

1. Open a terminal program. Example: HyperTerminal
 - From the Desktop, go to **Start => Programs => Accessories => Communication =>HyperTerminal**.
2. Double-click on the **HyperTerminal** icon.
 - Follow the prompts to choose a name and select an icon. Disregard the message, "...must install a modem," if it is displayed. Click OK.
 - Select the **COM**port that is connected to your UPS. The port settings are:
 - ✓ *bits per second - 2400*
 - ✓ *data - bits 8*
 - ✓ *parity - none*
 - ✓ *stop bit - 1*
 - ✓ *flow control - none*
 - Press ENTER
3. Example for setting the number of external battery packs:

Once the blank terminal window is open, follow these steps to enter the number of battery packs:

 - Press ENTER to initiate terminal mode. Press ENTER multiple times, until the prompt **User Name:** is displayed. Follow the prompts. Type slowly, waiting until each character appears on the screen prior to typing the next character.

Web/SNMP Card defaults:

 - User Name: apc
 - Password: apc
 - Press 1 and ENTER to select Device Manager.
 - Select the model by entering the corresponding number, then press ENTER.
 - Press 3 and ENTER to select Configuration.
 - Press 1 and ENTER to select Battery.
 - Press 2 and ENTER to change the Battery Settings.
 - Type in the number of external battery packs (four battery modules per pack), then press ENTER. (Number of packs: 1= internal battery module, 2 = 1 external battery pack, 3 = 2 external battery packs, etc.)
 - Press 3 and ENTER to accept the changes.
 - Press ESC multiple times (5) to return to the main menu.
 - Press 4 and ENTER to log out.

MAINTENANCE, AND TRANSPORTING

Replacing the Battery Module(s)

This UPS has easy to replace, hot-swappable battery modules. Replacement is a safe procedure, isolated from electrical hazards. You may leave the UPS and connected equipment on during the procedure.

The battery replacement procedure must include replacing all battery modules in the UPS and connected external battery pack (s).

Typical Battery life expectancy is two to four years.

Upon battery disconnection, equipment is not protected from power outages.

Use caution when handling heavy battery modules.

Refer to *Installing and Connecting the Batteries and Attaching the Front Bezel* for battery replacement procedure; reverse instructions for battery removal.



Be sure to deliver the spent battery to a recycling facility or ship it to the manufacturer in the replacement battery packing material.





Transporting the UPS

Always disconnect the battery module(s) before shipping the UPS in compliance with U.S. Department of Transportation (DOT) and IATA regulations.

The battery module(s) may remain in the UPS.

1. Shut down and disconnect any equipment attached to the UPS.
2. Shut down and disconnect the UPS from the power supply.
3. Unplug the battery connectors.

TROUBLESHOOTING

PROBLEM AND POSSIBLE CAUSE	SOLUTION
<i>UPS WILL NOT TURN ON</i>	
Batteries are not connected properly.  button not pushed. UPS not connected to utility power supply. Very low or no utility voltage.	Check that the battery connectors are fully engaged. Press the  button once to power the UPS and the connected equipment. Check that the power cable from the UPS to the utility power supply is securely connected at both ends. Check the utility power supply to ensure proper voltage at the receptacle.
<i>UPS WILL NOT TURN OFF</i>	
 button not pushed. Internal UPS fault.	Press the  button once to turn the UPS off. Do not attempt to use the UPS. Unplug the UPS and have it serviced immediately.
<i>UPS BEEPS OCCASIONALLY</i>	
Normal UPS operation when running on battery.	None. The UPS is protecting the connected equipment.
<i>UPS DOES NOT PROVIDE EXPECTED BACKUP TIME</i>	
The UPS battery module(s) are weak due to a recent outage or are near the end of service life.	Charge the battery module(s). Modules require recharging after extended outages and wear faster when put into service often or when operated at elevated temperatures. If the battery module(s) are near the end of service life, consider replacing, even if the <i>Replace Battery</i> LED is not illuminated.
<i>FRONT PANEL LEDs FLASH SEQUENTIALLY</i>	
The UPS has been shut down remotely through software or an optional accessory card.	None. The UPS will restart automatically when utility power returns.
<i>ALL LEDs ARE OFF AND THE UPS IS CONNECTED TO UTILITY POWER</i>	
The UPS is shut down and the battery is discharged from an extended outage.	None. The UPS will return to normal operation when the power is restored and the battery has a sufficient charge.
<i>BYPASS AND OVERLOAD LEDs ILLUMINATE, UPS EMITS A SUSTAINED ALARM TONE</i>	
The UPS is overloaded.	The connected equipment exceeds the specified “maximum load” as defined in <i>Specifications</i> in the Quick Start Guide. The alarm remains on until the overload is removed. Disconnect nonessential equipment from the UPS to eliminate the overload condition.

PROBLEM AND POSSIBLE CAUSE	SOLUTION
BYPASS LED ILLUMINATES	
The bypass switch has been turned on manually or through an accessory.	If bypass is the chosen mode of operation, ignore the illuminated LED. If bypass is not the chosen mode of operation move the bypass switch on the back of the UPS, to the <i>normal</i> position.
FAULT AND OVERLOAD LEDS ILLUMINATE; UPS EMITS A SUSTAINED ALARM TONE	
The UPS has ceased sending power to connected equipment.	The connected equipment exceeds the specified “maximum load” as defined in <i>Specifications</i> in the Quick Start Guide. Disconnect nonessential equipment from the UPS to eliminate the overload condition. Press the OFF button, then the ON button to restore power to connected equipment.
FAULT LED ILLUMINATES	
Internal UPS fault.	Do not attempt to use the UPS. Turn the UPS off and have it serviced immediately.
REPLACE BATTERY LED ILLUMINATES	
<i>Replace Battery</i> LED flashes and a short beep is emitted every two seconds to indicate the battery is disconnected.	Check that the battery connectors are fully engaged.
Weak battery.	Allow the battery to recharge for 24 hours. Then, perform a self-test. If the problem persists after recharging, replace the battery.
Failure of a battery self-test.	The UPS emits short beeps for one minute and the <i>Replace Battery</i> LED illuminates. The UPS repeats the alarm every five hours. Perform the self-test procedure after the battery has charged for 24 hours to confirm the <i>Replace Battery</i> condition. The alarm stops and the LED clears if the battery passes the self-test.
UPS OPERATES ON BATTERY ALTHOUGH LINE VOLTAGE EXISTS	
Very high, low, or distorted line voltage. (Inexpensive fuel powered generators can distort the voltage.)	Move the UPS to a different line circuit. Test the input voltage with the utility voltage display.
DIAGNOSTIC UTILITY VOLTAGE	
All five LEDs are illuminated.	The line voltage is extremely high and should be checked by an electrician.
There is no LED illumination.	If the UPS is plugged into a properly functioning utility power outlet, the line voltage is extremely low.
ONLINE LED	
There is no LED illumination.	The UPS is running on battery, or it is not turned on.
The LED is blinking.	The UPS is running an internal self-test.

Service

If the UPS requires service do not return it to the dealer. Follow these steps:

1. Review the problems discussed in the *Troubleshooting* section of this manual to eliminate common problems.
2. If the problem persists, contact Rockwell Automation Customer Support. Refer to *Contact Information* below.
3. Pack the UPS in its original packaging.
 - Pack the UPS properly to avoid damage in transit. Never use Styrofoam beads for packaging.
 - Damage sustained in transit is not covered under warranty.

Always DISCONNECT THE BATTERY(S) before shipping in compliance with U.S. Department of Transportation (DOT) and IATA regulations.

The battery(s) may remain in the UPS.

Contact Information

Refer to Rockwell Automation at 440-646-5800.

Safety Information - SAVE THIS GUIDE

This Safety Guide contains important instructions that should be followed during installation and maintenance of the equipment and batteries. It is intended for customers who setup, install, relocate, or maintain equipment. **Changes and modifications to this unit not expressly approved could void the warranty.**

Handling Safety



<18 kg (<40 lb)



32–55 kg (70–120 lb)



18–32 kg (40–70 lb)



>55 kg (>120 lb)



>10°

⚠CAUTION! Electrical Safety

- Do not work alone under hazardous conditions.
- High current through conductive materials could cause severe burns.
- Check that the power cord(s), plug(s), and sockets are in good condition.
- Use qualified service personnel to change the plug on the UPS and to install permanently wired equipment.
- When grounding cannot be verified, disconnect the equipment from the utility power outlet before installing or connecting to other equipment. Reconnect the power cord only after all connections are made.
- Do not handle any metallic connector before the power has been disconnected.
- Connect the equipment to a three wire utility outlet (two poles plus ground). The receptacle must be connected to appropriate branch circuit/mains protection (fuse or circuit breaker). Connection to any other type of receptacle may result in risk of electrical shock.
- *230V models only:* In order to maintain compliance with the Electro Magnetic Compliance directive for products sold in Europe, output cords attached to the UPS should not exceed 10 meters in length.
- *230V models only:* Total leakage current from connected equipment and the UPS must not exceed 3.5 mA for a pluggable A Type UPS.

⚠CAUTION! Deenergizing Safety

- If the UPS has an internal energy source (battery), the output may be energized when the unit is not connected to a utility power outlet.
- To deenergize a **pluggable UPS**, press the OFF button or switch to shut the equipment off. Unplug the UPS from the utility power outlet. Disconnect the external batteries where applicable and disconnect the internal battery (see User Manual). Push the ON button to deenergize the capacitors.
To deenergize a **permanently wired UPS**, press the OFF button or switch to shut the equipment off. Switch off the utility circuit breaker that supplies power to the UPS. Disconnect the external batteries where applicable and disconnect the internal battery (see User Manual).

⚠WARNING! Battery Safety

- **This equipment contains potentially hazardous voltages.** Do not attempt to disassemble the unit. The **only exception** is for a UPS containing batteries. Refer to the battery replacement procedures detailed in the User's Manual. Except for the battery, the unit contains no user serviceable parts. **Repairs are to be performed only by qualified service personnel.**
- Do not dispose of batteries in a fire. The batteries may explode.
- Do not open or mutilate batteries. They contain an electrolyte that is toxic and harmful to the skin and eyes.
- To avoid personal injury due to energy hazard, remove wrist watches and jewelry such as rings when replacing the batteries. Use tools with insulated handles.
- Replace batteries with the same number and type of batteries as originally installed in the equipment.

Replacement and Recycling of Batteries

See your dealer or contact Rockwell Automation at 440-646-5800, for information on replacement battery kits and battery recycling.



Be sure to deliver the spent battery to a recycling facility in the replacement battery packing material.