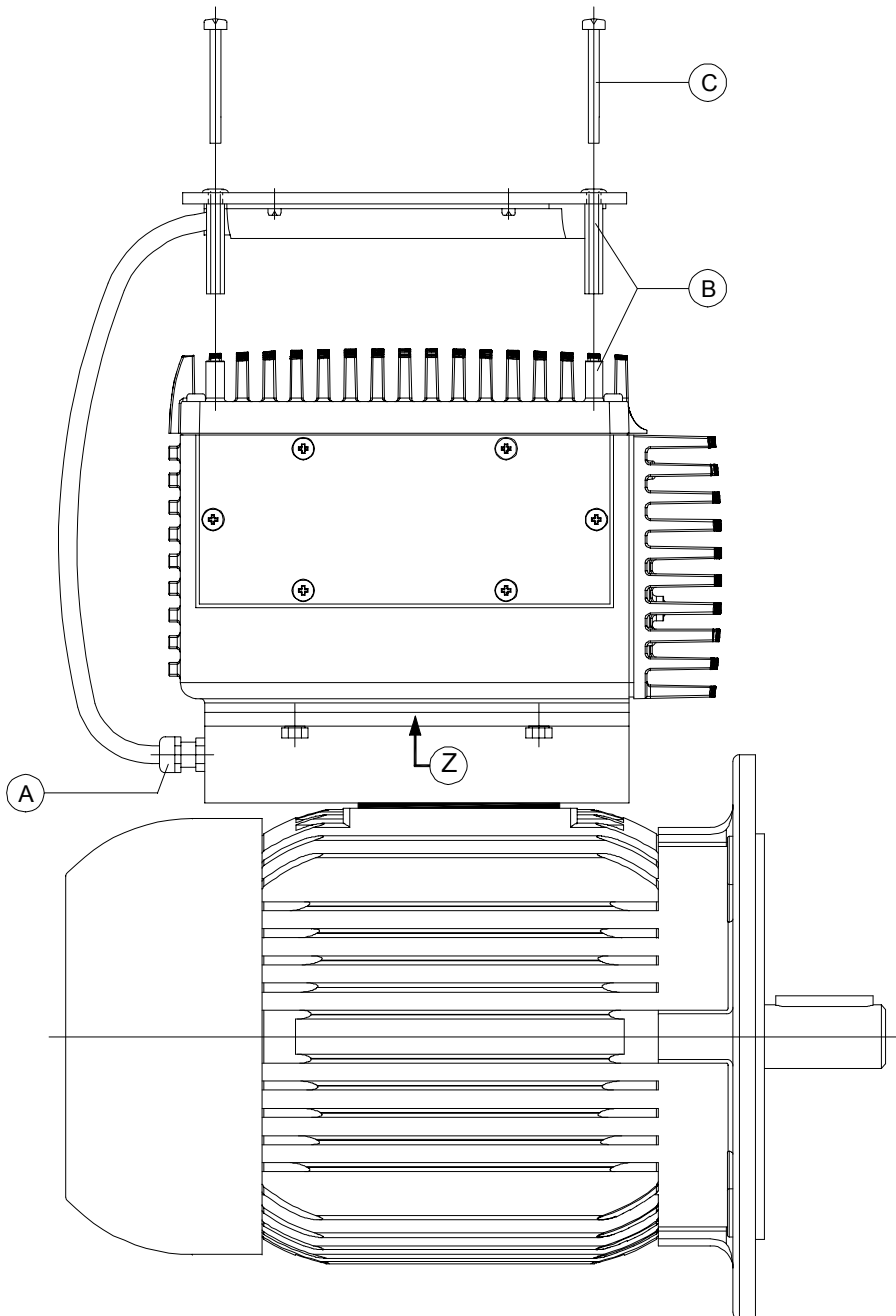


View Z

EN

**MOUNTING INSTRUCTION**  
for Braking Resistor Kit 160Z-BMxx

- (A) Replace the cap by the cable gland M10.
- (B) Center the resistor assembly on the studs in the cover plate and fix it by use of the four attached screws M4x50.
- (C) Tighten with 3 Nm (27 lb.-in.) torque.
- (D) Mount the attached Fast-on connector under the existing Fast-on connector.
- (E) Pass the cable through the gland, attach the cable screen and tighten the gland. Connect the blue and brown conductors to TB2 terminals BR+/BR-. Connect the earth conductor to the Fast-on connector.



**Contents of the Kit**

- 1 Carrier plate
- 1 Cable gland M16
- 1 Fast-on connector
- 4 Screw M4x50

|   |    |         |    |          |        |     |  |                                                              |                                 |          |
|---|----|---------|----|----------|--------|-----|--|--------------------------------------------------------------|---------------------------------|----------|
| A | AM | AM 7889 | AM | Issued   | 8.5.02 | Hon |  | <b>AC DRIVE 160Z</b><br><b>KIT 160Z-BMxx (PN: 839.45.21)</b> | Drawing No.<br><b>899.97.21</b> | Sht. No  |
|   | B  | C       |    | Approved |        | Hon |  |                                                              |                                 | 1        |
|   | MF | MF      | MF | Released | 8.5.02 | Hon |  |                                                              |                                 | Total Sh |
|   |    |         |    |          |        |     |  |                                                              |                                 | 2        |

Allen-Bradley Parts

| DE                                                                                                                                                                                                                                                                                                                                                                                                                                                                                                                                                                                                                                                                                                                      | FR                                                                                                                                                                                                                                                                                                                                                                                                                                                                                                                                                                                                                                                         | IT                                                                                                                                                                                                                                                                                                                                                                                                                                                                                                                                                                                                                                                                                                  | ES                                                                                                                                                                                                                                                                                                                                                                                                                                                                                                                                                                                                                                                                                                 | PT                                                                                                                                                                                                                                                                                                                                                                                                                                                                                                                                                                                                                                                                                                                |
|-------------------------------------------------------------------------------------------------------------------------------------------------------------------------------------------------------------------------------------------------------------------------------------------------------------------------------------------------------------------------------------------------------------------------------------------------------------------------------------------------------------------------------------------------------------------------------------------------------------------------------------------------------------------------------------------------------------------------|------------------------------------------------------------------------------------------------------------------------------------------------------------------------------------------------------------------------------------------------------------------------------------------------------------------------------------------------------------------------------------------------------------------------------------------------------------------------------------------------------------------------------------------------------------------------------------------------------------------------------------------------------------|-----------------------------------------------------------------------------------------------------------------------------------------------------------------------------------------------------------------------------------------------------------------------------------------------------------------------------------------------------------------------------------------------------------------------------------------------------------------------------------------------------------------------------------------------------------------------------------------------------------------------------------------------------------------------------------------------------|----------------------------------------------------------------------------------------------------------------------------------------------------------------------------------------------------------------------------------------------------------------------------------------------------------------------------------------------------------------------------------------------------------------------------------------------------------------------------------------------------------------------------------------------------------------------------------------------------------------------------------------------------------------------------------------------------|-------------------------------------------------------------------------------------------------------------------------------------------------------------------------------------------------------------------------------------------------------------------------------------------------------------------------------------------------------------------------------------------------------------------------------------------------------------------------------------------------------------------------------------------------------------------------------------------------------------------------------------------------------------------------------------------------------------------|
| <p><b>MONTAGEANLEITUNG für Bremswiderstand 160Z-BMxx</b></p> <p>(A) Verschlussdeckel durch Kabelverschraubung ersetzen.</p> <p>(B) Widerstandseinheit auf die Bolzen<br/>(C) im Gehäusedeckel zentrieren und mit den vier Schrauben M4x50 befestigen.<br/>Anzugsdrehmoment: 3 Nm.</p> <p>(D) Faston-Steckzunge unter bestehende Steckzunge montieren.</p> <p>(E) Kabel in Verschraubung einführen, Schirmgeflecht verbinden und festschrauben.<br/>Die beiden Drähte bl und br (E) an BR+/BR- des Klemmenblocks TB2 anschließen.<br/>Schutzleiterkabel in Faston-Zunge einstecken.</p> <p><b>Inhalt des Set</b><br/>1 Widerstandseinheit<br/>1 Kabelverschraubung M10<br/>1 Faston-Steckzunge<br/>4 Schrauben M4x50</p> | <p><b>INSTRUCTION DE SUPPORT pour Kit de résistance 160Z-BMxx</b></p> <p>Remplacer le cache par le serre-câble M10.</p> <p>Centrer le kit de résistance aux goujons sur le couvercle du 160Z et monter au moyen des quatre vis M4x50.<br/>Couple de serrage: 3 Nm.</p> <p>Monter la cosse sous celle existante</p> <p>Passer le câble blindé à travers le serre-câble, connecter le blindage du câble et serrer<br/>Connecter les deux fils bleu et brun aux bornes BR+/BR- du bornier TB2.</p> <p>Connecter le fil de terre sur la cosse.</p> <p><b>Contenu du kit</b><br/>1 Résistance de freinage<br/>1 Serre-câble M10<br/>1 Cosse<br/>4 Vis M4x50</p> | <p><b>ISTRUZIONI DI MONTAGGIO per kit di resistenze 160Z-BMxx</b></p> <p>Sostituire il tappo con il passacavo M10.</p> <p>Centrare le resistenze sulle viti prigioniere nel coperchio e montare per mezzo delle quattro viti M4x50 nel kit.<br/>Coppia di serraggio: 3 Nm.</p> <p>Montare il connettore Fast-on sotto il connettore Fast-on esistente.</p> <p>Passare il cavo attraverso il passacavo, collegare lo schermo ed avvitare.<br/>Collegare i fili blu a marrone ai terminali BR+/BR- della morsettiera TB2.</p> <p>Collegare il filo di terra al connettore Fast-on.</p> <p><b>Contenuto del kit</b><br/>1 Resistenze<br/>1 Passacavo M10<br/>1 Connettore Fast-on<br/>4 Viti M4x50</p> | <p><b>INSTRUCCIÓN DEL MONTAJE para kit de resistencia 160Z-BMxx</b></p> <p>Substituya la tapona para la prensaestopa M10.</p> <p>Centre el kit de resistencia en los pernos prisioneros en la cubierta e monte por medio de los cuatro tornillos M4x50.<br/>Esfuerzo de torsión: 3 Nm.</p> <p>Monte el conector de Fast-on en el conector de Fast-on bajo existir.</p> <p>Una la pantalla del cable a la prensaestopa.</p> <p>Conecte los conductores azules y marrones con los terminales BR+/BR-.</p> <p>Conecte el conductor de la tierra con el conector Fast-on.</p> <p><b>Contenido del kit</b><br/>1 Resistencia<br/>1 Prensaestopa M10<br/>1 Conector de Fast-on<br/>4 Tornillos M4x50</p> | <p><b>INSTRUÇÕES DA MONTAGEM para kit de resistores 160Z-BMxx</b></p> <p>Substitua o tampão pela prensa cabo M10.</p> <p>Centralizar o conjunto de resistores nos pernos hexágonos da distância da placa de tampa e repare pelo uso dos quatro parafusos unidos M4x50.<br/>Torque de aperto: 3 Nm.</p> <p>Monte o conector Fast-on no sob conector Fast-on existir.</p> <p>Passe o cabo através do prensa cabo, uma a blindagem do cabo e aperte o prensa cabo.</p> <p>Conecte os condutores azuis e marrons aos TB2 terminais BR+/BR.</p> <p>Conecte o condutor da terra ao conector Fast-on.</p> <p><b>Conteúdo do kit</b><br/>1 Resistor<br/>1 Prensa cabo M10<br/>1 Conector Fast-on<br/>4 Parafuso M4x50</p> |