

Bulletin 1692

Electronic Circuit Protection

Selection Guide



LISTEN.
THINK.
SOLVE.®

AB PLCs

 Allen-Bradley • Rockwell Software

**Rockwell
Automation**



Bulletin 1692 Electronic Circuit Protection (ECP)

- For protection on the secondary of 24V DC switch mode power supplies
- Monitors both supply voltage and load currents
- Remote monitoring, ON/OFF and, reset
- Output circuit indicators note the presence of an affected circuit for rapid troubleshooting and correction
- Select devices offer certified Class 2 circuits
- Allow less "let-through" energy than non-limiting circuit breakers
- DIN Rail mountable

Standards Compliance

- UL508 Listed
- UL 2367 Recognized
- UL 60950-1 Recognized
- IEC 60 950-1
- NEC Class 2★

★ Selected devices

Certifications

CE

1692 Cat. No. Explanation

Examples given in this section are for reference purposes. This basic explanation should not be used for product selection; not all combinations will produce a valid catalog number.

1692 - Z G XXXX
 a b c

a

Module Voltage	
Code	Description
Z	24V DC

b

Protection Scheme	
Code	Description
G	Module Protection
R	G and Class 2

c

Output Current Rating	
Code	Description
1111	1 A, 1 A, 1 A, 1 A
2222	2 A, 2 A, 2 A, 2 A
3333	3 A, 3 A, 3 A, 3 A
4444	4 A, 4 A, 4 A, 4 A
6666	6 A, 6 A, 6 A, 6 A
AAAA	10 A, 10 A, 10 A, 10 A
3366	3 A, 3 A, 6 A, 6 A
66BB	6 A, 6 A, 12 A, 12 A
CLSS	(4) NEC Class 2 circuits (each circuit max 100 VA)

Bul. 1692 Electronic Circuit Protection

Voltage	Protection Type	NEC Class 2	Output [A]				Cat. No.
			1	2	3	4	
24V DC	Module	Yes	1	1	1	1	1692-ZR1111
		Yes	2	2	2	2	1692-ZR2222
		No	3	3	3	3	1692-ZG3333
		No	4	4	4	4	1692-ZG4444
		No	6	6	6	6	1692-ZG6666
		No	10	10	10	10	1692-ZGAAAA
		No	3	3	6	6	1692-ZG3366
		No	6	6	12	12	1692-ZG66BB
		Yes	(4) NEC Class 2 circuits★ (100 VA /circuit max)				1692-ZRCLSS

★ NEC Class 2

Electronic Circuit Protection

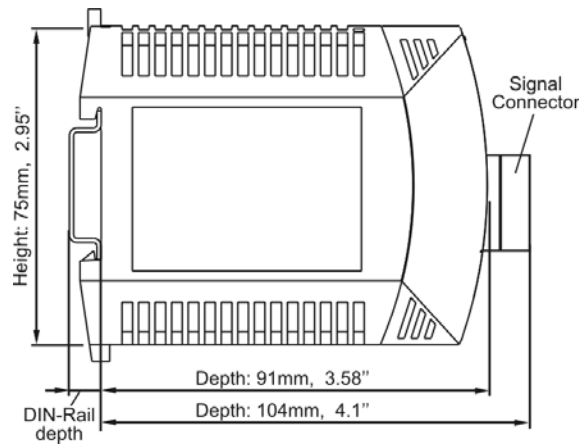
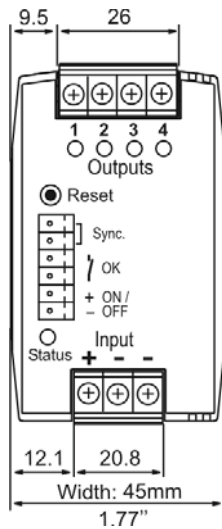
Specifications/Approximate Dimensions

Specifications

Standards Compliance	cULus – UL508, UR – UL 2367, UR – UL60950-1 IEC 60 950-1, Class 2 (select models)
Certifications	UL Listed, CE
Voltage	24V DC (18...30V DC)
Output Current	1 A ... 12 A, select devices – NEC Class 2
Output Ratings	Isolated safety extra-low voltage (SELV)
Operating Temperature	-25...+70 °C (-13...158 °F) (non-condensing)
Storage Temperature	-40 °C...+85 °C (-40...185 °F)
Humidity	5...95% (non-condensing)
Degree of Pollution	2
Terminal Wire Gauge	24...10 AWG 0.2...4mm ²
Termination Type	Screw
Dimensions in. (mm)	1.77 x 2.95 x 3.58 (45 x 75 x 91)
Weight lb. (g)	0.26 (120)

Bul. 1692 Approximate Dimensions

Note: Dimensions are shown in millimeters (inches). Dimensions are not intended for manufacturing purposes.



AB PLCs

Visit our website: www.ab.com/catalogs

Publication 1692-SG001A-EN-P



Allen-Bradley

Allen-Bradley and Rockwell Software are trademarks of Rockwell Automation, Inc.

www.rockwellautomation.com

Power, Control and Information Solutions Headquarters

Americas: Rockwell Automation, 1201 South Second Street, Milwaukee, WI 53204 USA, Tel: (1) 414.382.2000, Fax: (1) 414.382.4444

Europe/Middle East/Africa: Rockwell Automation, Vorstlaan/Boulevard du Souverain 36, 1170 Brussels, Belgium, Tel: (32) 2 663 0600, Fax: (32) 2 663 0640

Asia Pacific: Rockwell Automation, Level 14, Core F, Cyberport 3, 100 Cyberport Road, Hong Kong, Tel: (852) 2887 4788, Fax: (852) 2508 1846