

DeviceNet Products	Description
1732D-IB8M12	DeviceNet 24 VDC 8 Input w/M12
1732D-IB8M8	DeviceNet 24 VDC 8 Input w/M8
1732D-OB8EM12	DeviceNet 24 VDC 8 0.5A Output w/M12
1732D-OB8EM8	DeviceNet 24 VDC 8 0.5A Output w/M8
1732D-8CFGM12	DeviceNet 24 VDC 8 Selectable points w/M12
1732D-8CFGM8	DeviceNet 24 VDC 8 Selectable points w/M8
PROFIBUS Products	Description
1732P-IB8M12	PROFIBUS 24 VDC 8 Input w/M12
1732P-IB8M8	PROFIBUS 24 VDC 8 Input w/M8
1732P-OB8EM12	PROFIBUS 24 VDC 8 0.5A Output w/M12
1732P-OB8EM8	PROFIBUS 24 VDC 8 0.5A Output w/M8
1732P-8CFGM12	PROFIBUS 24 VDC 8 Selectable points w/M12
1732P-8CFGM8	PROFIBUS 24 VDC 8 Selectable points w/M8



A armorBlock, armorBlock MaXum, armorPoint, On-Machine, armorStart, DeviceLogix and DeviceNet are trademarks of Rockwell Automation.



ArmorBlock™ I/O: On-Machine™ IP67 Block I/O

On-Machine™ IP67 ArmorBlock™ I/O

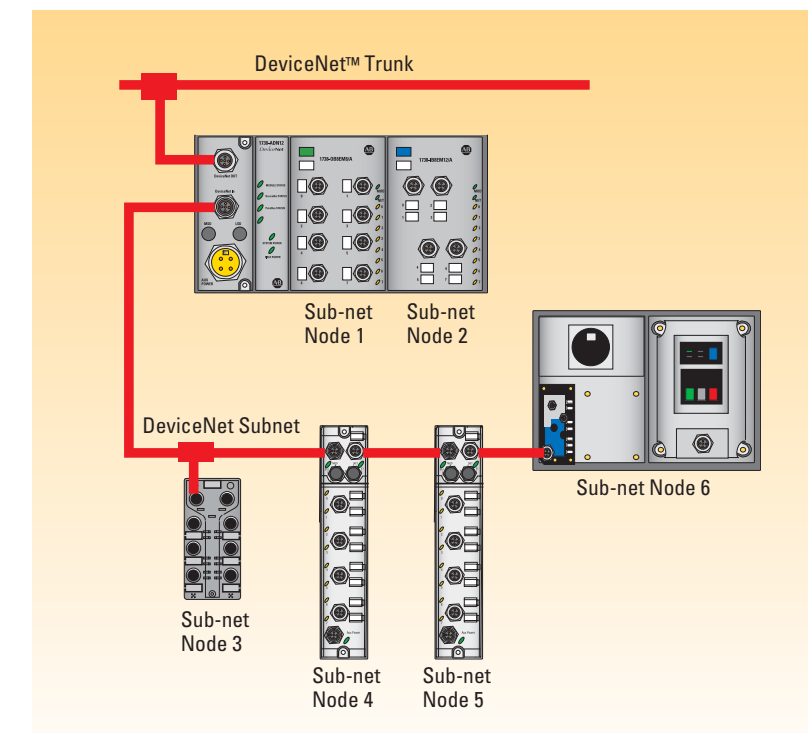
Overview

Rockwell Automation was one of the first offering hardened I/O products with originally the Standard ArmorBlock™ then the ArmorBlock MaXum™ product. MaXum offers high-end diagnostics and DeviceLogix™ as part of the normal offering. The new ArmorBlock I/O family will give Rockwell not only DeviceNet™ and PROFIBUS connectivity but a low-cost IP67 I/O line. These products are perfect for Material Handling and Semiconductor applications as well as providing a low-end alternative in those Machinery applications where diagnostics and local control (DeviceLogix) are not valued.



Benefits

- **IP67 Construction:** Mount anywhere on the machine, close to the sensors and actuators for shorter cable runs.
- **Network Independence:** DeviceNet or PROFIBUS DP
- **I/O Connector Choices:** M12, M8 Quick Disconnect styles available.
- **Electronic Output Protection:** Actuator fault will not damage the I/O.
- **Mounting Flexibility:** Front (panel) or side (rail) mounting.
- **Output Monitoring:** Positive indication that output is on.
- **Self-configuring I/O:** Each point can be either an input or output.



www.rockwellautomation.com

Corporate Headquarters

Rockwell Automation, 777 East Wisconsin Avenue, Suite 1400, Milwaukee, WI, 53202-5302 USA, Tel: (1) 414.212.5200, Fax: (1) 414.212.5201

Headquarters for Allen-Bradley Products, Rockwell Software Products and Global Manufacturing Solutions

Americas: Rockwell Automation, 1201 South Second Street, Milwaukee, WI 53204-2496 USA, Tel: (1) 414.382.2000, Fax: (1) 414.382.4444

Europe/Middle East/Africa: Rockwell Automation SA/NV, Vorstlaan/Boulevard du Souverain 36, 1170 Brussels, Belgium, Tel: (32) 2 663 0600, Fax: (32) 2 663 0640

Asia Pacific: Rockwell Automation, 27/F Citicorp Centre, 18 Whitfield Road, Causeway Bay, Hong Kong, Tel: (852) 2887 4788, Fax: (852) 2508 1846

Headquarters for Dodge and Reliance Electric Products

Americas: Rockwell Automation, 6040 Ponders Court, Greenville, SC 29615-4617 USA, Tel: (1) 864.297.4800, Fax: (1) 864.281.2433

Europe: Rockwell Automation, Brühlstraße 22, D-74834 Elztal-Dallau, Germany, Tel: (49) 6261 9410, Fax: (49) 6261 1774

Asia Pacific: Rockwell Automation, 55 Newton Road, #11-01/02 Revenue House, Singapore 307987, Tel: (65) 351 6723, Fax: (65) 355 1733

Product Profile

**Rockwell
Automation**