

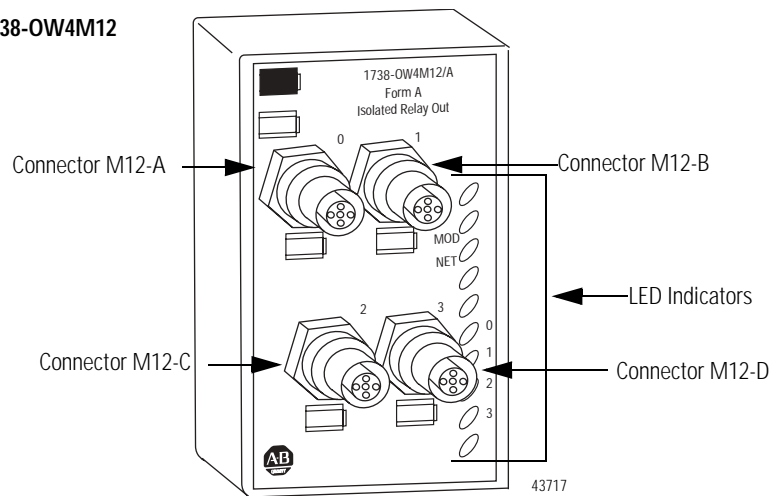


ArmorPoint Relay Output Modules, Series A

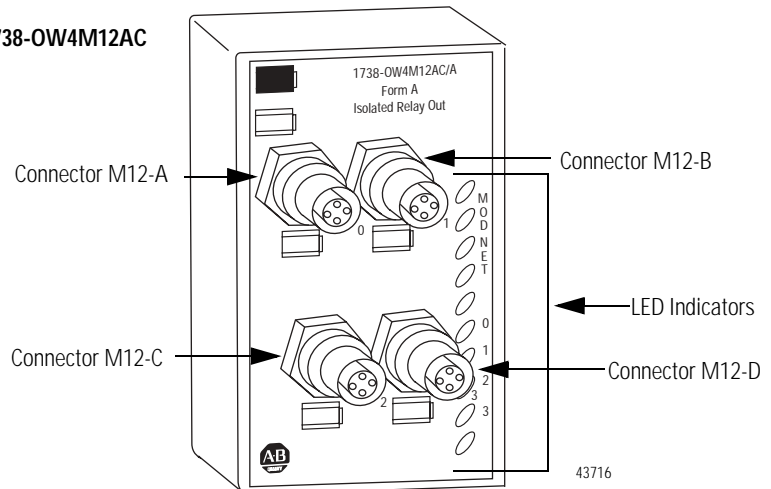
(Cat. No. 1738-OW4M12 and -OW4M12AC)

The ArmorPoint I/O family (Cat. no. 1738) consists of modular I/O modules. The sealed IP67 housing of these modules requires no enclosure. (Note that environmental requirements other than IP67 may require an additional appropriate housing.) I/O connectors are sealed M12 with either DC or AC keyed (micro) styles. The mounting base ships with the module. The 1738-OW4M12 and -OW4M12AC modules are shown below.

1738-OW4M12



1738-OW4M12AC



AB Parts

Important User Information

Solid state equipment has operational characteristics differing from those of electromechanical equipment. *Safety Guidelines for the Application, Installation and Maintenance of Solid State Controls* (Publication SGI-1.1 available from your local Rockwell Automation sales office or online at <http://www.ab.com/manuals/gi>) describes some important differences between solid state equipment and hard-wired electromechanical devices. Because of this difference, and also because of the wide variety of uses for solid state equipment, all persons responsible for applying this equipment must satisfy themselves that each intended application of this equipment is acceptable.





In no event will Rockwell Automation, Inc. be responsible or liable for indirect or consequential damages resulting from the use or application of this equipment.

The examples and diagrams in this manual are included solely for illustrative purposes. Because of the many variables and requirements associated with any particular installation, Rockwell Automation, Inc. cannot assume responsibility or liability for actual use based on the examples and diagrams.

No patent liability is assumed by Rockwell Automation, Inc. with respect to use of information, circuits, equipment, or software described in this manual.

Reproduction of the contents of this manual, in whole or in part, without written permission of Rockwell Automation, Inc. is prohibited.

Throughout this manual we use notes to make you aware of safety considerations.

<p>WARNING</p> 	<p>Identifies information about practices or circumstances that can cause an explosion in a hazardous environment, which may lead to personal injury or death, property damage, or economic loss.</p>
<p>IMPORTANT</p>	<p>Identifies information that is critical for successful application and understanding of the product.</p>
<p>ATTENTION</p> 	<p>Identifies information about practices or circumstances that can lead to personal injury or death, property damage, or economic loss. Attentions help you:</p> <ul style="list-style-type: none"> • identify a hazard • avoid a hazard • recognize the consequence
<p>SHOCK HAZARD</p> 	<p>Labels may be located on or inside the equipment to alert people that dangerous voltage may be present.</p>
<p>BURN HAZARD</p> 	<p>Labels may be located on or inside the equipment to alert people that surfaces may be dangerous temperatures.</p>

ATTENTION**Environment and Enclosure**

This equipment is intended for use in overvoltage Category II applications (as defined in IEC publication 60664-1), at altitudes up to 2000 meters without derating.

This equipment is considered Group 1, Class A industrial equipment according to IEC/CISPR Publication 11. Without appropriate precautions, there may be potential difficulties ensuring electromagnetic compatibility in other environments due to conducted as well as radiated disturbance.

This equipment is supplied as "enclosed" equipment. It should not require additional system enclosure when used in locations consistent with the enclosure type ratings stated in the Specifications section of this publication. Subsequent sections of this publication may contain additional information regarding specific enclosure type ratings, beyond what this product provides, that are required to comply with certain product safety certifications.

NOTE: See NEMA Standards publication 250 and IEC publication 60529, as applicable, for explanations of the degrees of protection provided by different types of enclosure. Also, see the appropriate sections in this publication, as well as the Allen-Bradley publication 1770-4.1 ("Industrial Automation Wiring and Grounding Guidelines"), for additional installation requirements pertaining to this equipment.

ATTENTION**Preventing Electrostatic Discharge**

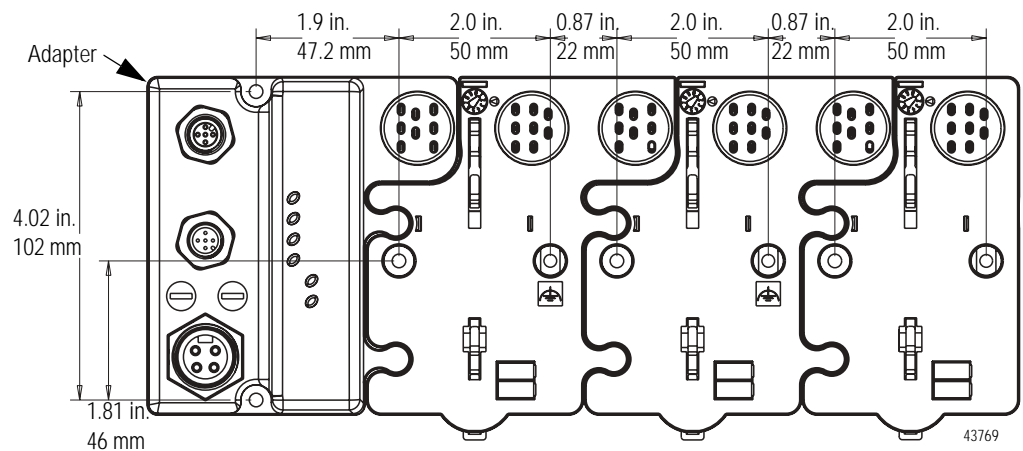
This equipment is sensitive to electrostatic discharge, which can cause internal damage and affect normal operation. Follow these guidelines when you handle this equipment:

- Touch a grounded object to discharge potential static.
- Wear an approved grounding wriststrap.
- Do not touch connectors or pins on component boards.
- Do not touch circuit components inside the equipment.
- If available, use a static-safe workstation.
- When not in use, store the equipment in appropriate static-safe packaging.

Mount the I/O Base

To mount the ArmorPoint I/O base on a wall or panel, use the screw holes provided in the ArmorPoint base.

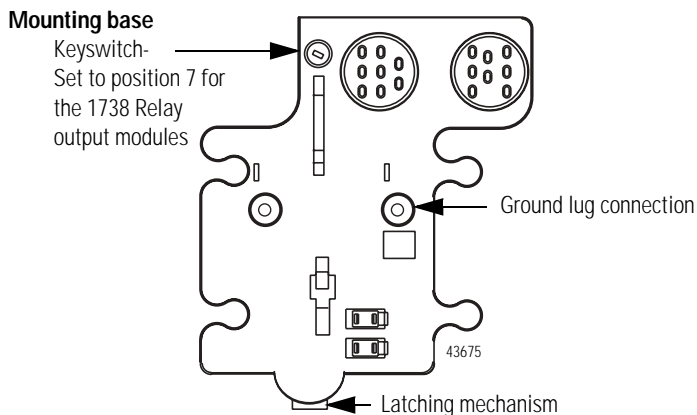
A mounting illustration for the ArmorPoint base with an adapter is shown below.



Install the mounting base as follows:

1. Lay out the required points as shown above in the drilling dimension drawing.
2. Drill the necessary holes for #8 (M4) machine or self-tapping screws.

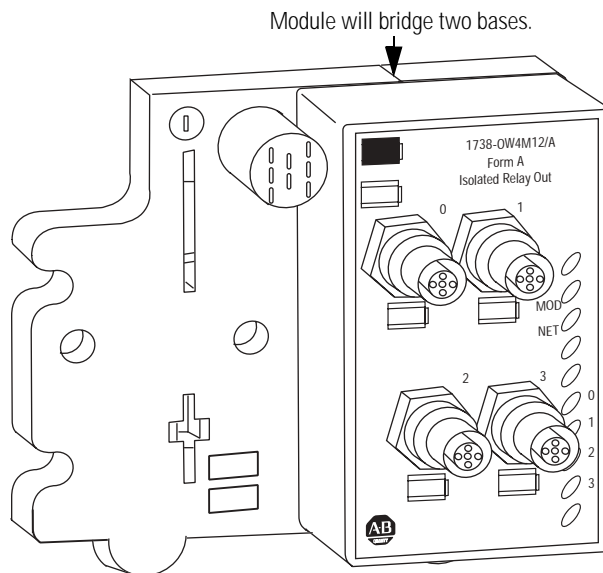
3. Mount the base using #8 (M4) screws.
4. Ground the system using the ground lug connection. (The ground lug connection is also a mounting hole.)



Install the ArmorPoint Relay Output Module

To install the ArmorPoint relay output module, proceed as follows.

1. Using a bladed screwdriver, rotate the keyswitch on the mounting base clockwise until the number 7 aligns with the notch in the base.
2. Position the module vertically above the mounting base. The module will bridge two bases.



3. Push the module down until it engages the latching mechanism. You will hear a clicking sound when the module is properly engaged.

The locking mechanism will lock the module to the base.

Remove the ArmorPoint Relay Output Module From the Mounting Base

To remove the module from the mounting base:

1. Put a flat blade screwdriver into the slot of the orange latching mechanism.
2. Push the screwdriver toward the I/O module to disengage the latch.

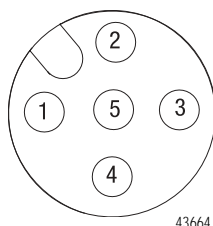
The module will lift up off the base.

3. Pull the module off of the base.

Wire the Relay Output Modules

Following are wiring instructions for the ArmorPoint relay output modules.

1738-OW4M12



(view into connector)

Pin 1 - 24V dc

Pin 2 - Output 0B (M12-A)

Output 1B (M12-B)

Output 2B (M12-C)

Output 3B (M12-D)

Pin 3 - Common

Pin 4 - Output 0A (M12-A)

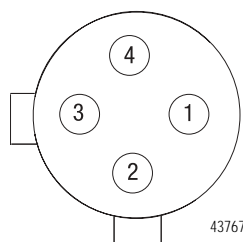
Output 1A (M12-B)

Output 2A (M12-C)

Output 3A (M12-D)

Pin 5 - No Connect

1738-OW4M12AC



(view into connector)

Pin 1 - L1

Pin 2 - L2/N

Pin 3 - Output 0A (M12-A)

Output 1A (M12-B)

Output 2A (M12-C)

Output 3A (M12-D)

Pin 4 - Output 0B (M12-A)

Output 1B (M12-B)

Output 2B (M12-C)

Output 3B (M12-D)

ATTENTION



Make sure all connectors and caps are securely tightened to properly seal the connections against leaks and maintain IP67 requirements.

Communicate With Your Module

I/O messages are sent to (consumed) and received from (produced) the ArmorPoint I/O module. These messages are mapped into the processor's memory. The ArmorPoint I/O relay output module consumes 1 byte of output data (scanner Tx - status). It does not produce data (scanner Rx).

Default Data Map for the ArmorPoint Relay Output Modules

1738-OW4M12 and -OW4M12AC

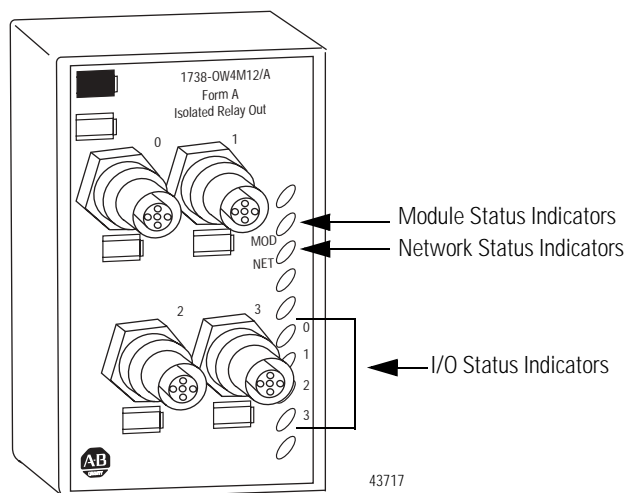
Message size: 1 Byte

	7	6	5	4	3	2	1	0	
Consumes (scanner Tx)	Not Used				Ch3	Ch2	Ch1	Ch0	Output state

Where: 0 = Off, 1 = On

Troubleshoot with the Indicators

1738-OW4M12



Indication	Probable Cause
Module Status	
Off	No power applied to device
Green	Device operating normally
Flashing Green	Device needs commissioning due to missing, incomplete, or incorrect configuration
Flashing Red	Recoverable fault
Red	Unrecoverable fault - may require device replacement
Flashing Red/Green	Device is in self-test
Indication	Probable Cause
Network Status	
Off	Device is not on line: - Device has not completed dup_MAC-id test. - Device not powered - check module status indicator.
Flashing Green	Device is on line but has no connections in the established state.
Green	Device is on line and has connections in the established state.
Flashing Red	One or more I/O connections in timed-out state.
Red	Critical link failure - failed communication device. Device detected error that prevents it from communicating on the network.
Flashing Red/Green	Communication faulted device - the device has detected a network access error and is in communication faulted state. Device has received and accepted an Identity Communication Faulted Request - long protocol message.

AB Parts

Indication	Probable Cause
I/O Status	
Off	Output is inactive
Yellow	Output is active and under control

Specifications

Following are specifications for the 1738 ArmorPoint relay output modules.

ArmorPoint Relay Output Modules	
Outputs per Module	4 Form A isolated (normally open) electromechanical relays
Output Voltage Range (load dependent)	1738-OW4M12 only - 5-28.8V dc @ 2.0A resistive 1738-OW4M12AC only 5-28.8V dc @ 2.0A resistive 48V dc @ 0.5A resistive 125V dc @ 0.25A resistive 125V ac @ 2.0A resistive 240V ac @ 2.0A resistive
Output Current Rating (at rated power)	Resistive 1738-OW4M12 only - 2A @ 5-28.8V dc 1738-OW4M12AC only 2A @ 5-28.8V dc 0.5A @ 48V dc 0.25A @ 125V dc 2A @ 125V ac 2A @ 240V ac Inductive 1738-OW4M12 only - 2.0A steady state @ 5-28.8V dc, L/R = 7ms 1738-OW4M12AC only 2.0A steady state @ 5-28.8V dc, L/R = 7ms 0.5A steady state @ 48V dc, L/R = 7ms 0.25A steady state @ 125V dc, L/R = 7ms 2.0A steady state, 15A make @ 125V ac, PF = cos q = 0.4 2.0A steady state, 15A make @ 240V ac, PF = cos q = 0.4
Output Signal Delay OFF to ON ¹ , maximum	10 ms (time from valid output on signal to relay energization by module)
Output Delay Time, ON to OFF ¹ , maximum	26ms (time from valid output off signal to relay deenergization by module)
Off-state Leakage Current (max at 240v ac)	1.2 mA and bleed resistor through snubber circuit

ArmorPoint Relay Output Modules (continued)

Power Rating (steady state)	1738-OW4M12 only 60W max. for 28.8V dc resistive output 60VA max. for 28.8V dc inductive output 1738-OW4M12AC only 60W max. for 28.8V dc resistive output 60VA max. for 28.8V dc inductive output 250W max. for 125V ac resistive output 480W max. for 240V ac resistive output 24W max. for 48V dc resistive output 31W max. for 125V dc resistive output 250VA max. for 125V ac inductive output 480VA max. for 240V ac inductive output 24VA max. for 48V dc inductive output 31VA max. for 125V dc inductive output
Initial Contact Resistance	30 mW
Switching Frequency, Maximum	1 operation/3s (0.3Hz at rated load)
Operate/Release Time, Maximum	10 ms
Bounce Time	1.2 ms (mean)
Minimum Contact Load	100 μ A at 100mV dc
Expected Life of Electrical Contacts	Minimum 100,000 operations @ rated loads
Fusing	Module outputs are not fused. If fusing is desired, you must supply external fusing.
Keyswitch Position	7

General Specifications

LED Indicators	4 yellow output status, logic side 1 green/red network status, logic side 1 green/red module status, logic side
PointBus Current, Maximum	90 mA @ 5V dc
Power Dissipation, Maximum	0.5 W @ 28.8V dc
Thermal Dissipation, Maximum	1.7 BTU/hr. @ 28.8V dc
Isolation Voltage Between any 2 sets of contacts Customer load to logic	Tested to withstand 2550V dc for 60s. Tested to withstand 2550V dc for 60s.
Field Power Bus Supply Voltage Voltage Range, Maximum	None required 1738-OW4M12 only 5-28.8V dc 1738-OW4M12AC only 5-28.8V dc, 48V dc, 125V dc, 125V ac, 240V ac
Supply Current	2A per channel maximum, 8A per module
Dimensions Inches (Metric)	1.25H x 2.63W x 4.25D (31.75H x 66.80W x 107.95D)
Operating Temperature	IEC 60068-2-1 (Test Ad, Operating Cold), IEC 60068-2-2 (Test Bd, Operating Dry Heat), IEC 60068-2-14 (Test Nb, Operating Thermal Shock): -20 to 60°C (-4 to 140°F)
Storage Temperature	IEC 60068-2-1 (Test Ab, Un-packaged Non-operating Cold), IEC 60068-2-2 (Test Bb, Un-packaged Non-operating Dry Heat), -40 to 85°C (-40 to 185°F)
Relative Humidity	IEC 60068-2-30 (Test Db, Un-packaged Non-operating Damp Heat): 5-95% non-condensing

General Specifications (continued)	
Shock	IEC60068-2-27 (Test Ea, Unpackaged Shock): Operating 15g Non-operating 50g
Vibration	IEC60068-2-6 (Test Fc, Operating): 2g @ 10-500Hz
ESD Immunity	IEC 61000-4-2: 6kV contact discharges 8kV air discharges
Radiated RF Immunity	IEC 61000-4-3: 10V/m with 1kHz sine-wave 80%AM from 80MHz to 2000MHz 10V/m with 200Hz 50% Pulse 100%AM at 900Mhz 10V/m with 200Hz 50% Pulse 100%AM at 1890Mhz
EFT/B Immunity	IEC 61000-4-4: 3kV at 5kHz on signal ports
Surge Transient Immunity	IEC 61000-4-5: ±1kV line-line(DM) and ±2kV line-earth(CM) on signal ports
Conducted RF Immunity	IEC 61000-4-6: 10Vrms with 1kHz sine-wave 80%AM from 150kHz to 80MHz
Emissions	CISPR 11: Group 1, Class A
Enclosure Type Rating	Meets IP65/66/67 (when marked)
Mounting Base Screw Torque	#8 screw, 7.5 in. lbs. in Aluminum, 16 in. lbs. in Steel
Wiring Category ²	1 - on signal ports
Weight Imperial (Metric)	0.637 lb. (0.289 kg)
Certifications: (when product is marked)	c-UL-us UL Listed Industrial Control Equipment, certified for US and Canada CE ³ European Union 89/336/EEC EMC Directive, compliant with: EN 61000-6-4; Industrial Emissions EN 50082-2; Industrial Immunity EN 61326; Meas./Control/Lab., Industrial Requirements EN 61000-6-2; Industrial Immunity European Union 73/23/EEC LVD Directive, compliant with: EN 61131-2; Programmable Controllers C-Tick ³ Australian Radiocommunications Act, compliant with: AS/NZS CISPR 11; Industrial Emissions

1. OFF to ON or ON to OFF delay is time from a valid output "on" or "off" signal to output energization or de-energization.
2. Use this Conductor Category information for planning conductor routing. Refer to Publication 1770-4.1, "Industrial Automation Wiring and Grounding Guidelines".
3. See the Product Certification link at www.ab.com for Declarations of Conformity, Certificates, and other certification details.

Notes:

AB Parts

Rockwell Automation Support

Rockwell Automation provides technical information on the web to assist you in using our products. At <http://support.rockwellautomation.com>, you can find technical manuals, a knowledge base of FAQs, technical and application notes, sample code and links to software service packs, and a MySupport feature that you can customize to make the best use of these tools.

For an additional level of technical phone support for installation, configuration and troubleshooting, we offer TechConnect Support programs. For more information, contact your local distributor or Rockwell Automation representative, or visit <http://support.rockwellautomation.com>.

Installation Assistance

If you experience a problem with a hardware module within the first 24 hours of installation, please review the information that's contained in this manual. You can also contact a special Customer Support number for initial help in getting your module up and running:

United States	1.440.646.3223 Monday – Friday, 8am – 5pm EST
Outside United States	Please contact your local Rockwell Automation representative for any technical support issues.

New Product Satisfaction Return

Rockwell tests all of our products to ensure that they are fully operational when shipped from the manufacturing facility. However, if your product is not functioning and needs to be returned:

United States	Contact your distributor. You must provide a Customer Support case number (see phone number above to obtain one) to your distributor in order to complete the return process.
Outside United States	Please contact your local Rockwell Automation representative for return procedure.

ArmorPoint is a trademark of Rockwell Automation.

www.rockwellautomation.com

Corporate Headquarters

Rockwell Automation, 777 East Wisconsin Avenue, Suite 1400, Milwaukee, WI, 53202-5302 USA, Tel: (1) 414.212.5200, Fax: (1) 414.212.5201

Headquarters for Allen-Bradley Products, Rockwell Software Products and Global Manufacturing Solutions

Americas: Rockwell Automation, 1201 South Second Street, Milwaukee, WI 53204-2496 USA, Tel: (1) 414.382.2000, Fax: (1) 414.382.4444

Europe: Rockwell Automation SA/NV, Vorstlaan/Boulevard du Souverain 36-BP 3A/B, 1170 Brussels, Belgium, Tel: (32) 2 663 0600, Fax: (32) 2 663 0640

Asia Pacific: Rockwell Automation, 27/F Citicorp Centre, 18 Whitfield Road, Causeway Bay, Hong Kong, Tel: (852) 2887 4788, Fax: (852) 2508 1846

Headquarters for Dodge and Reliance Electric Products

Americas: Rockwell Automation, 6040 Ponders Court, Greenville, SC 29615-4617 USA, Tel: (1) 864.297.4800, Fax: (1) 864.281.2433

Europe: Rockwell Automation, Brühlstraße 22, D-74834 Elztal-Dallau, Germany, Tel: (49) 6261 9410, Fax: (49) 6261 17741

Asia Pacific: Rockwell Automation, 55 Newton Road, #11-01/02 Revenue House, Singapore 307987, Tel: (65) 351 6723, Fax: (65) 355 1733