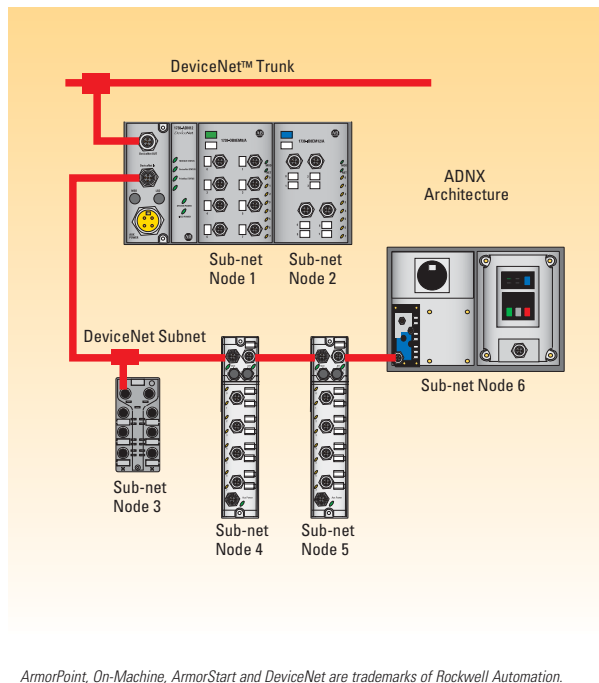
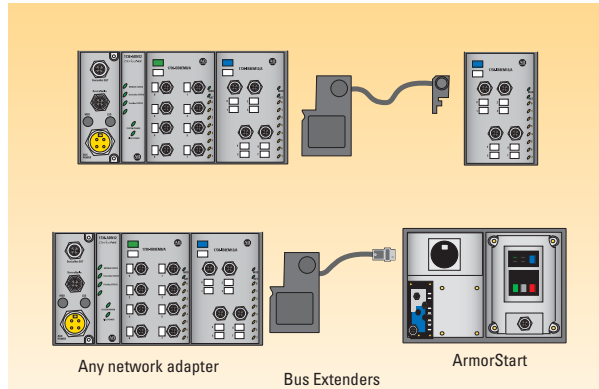


| Digital Output Products | Description |
|-------------------------|--|
| 1738-OB8EM12 | 24 VDC 8 Source Output w/4 M12s |
| 1738-OB8EM8 | 24 VDC 8 Source Output w/8 M8s |
| 1738-OB4EM12 | 24 VDC 4 Source Output w/4 M12s |
| 1738-OB4EM8 | 24 VDC 4 Source Output w/4 M8s |
| 1738-OB2EM12 | 24 VDC 2 Source Output w/2 M12s |
| 1738-OB2EPM12 | 24 VDC 2 2A Source Output w/2 M12s |
| 1738-OV4EM12 | 24 VDC 4 Sink Output w/4 M12s |
| Digital Input Products | Description |
| 1738-IB8M12 | 24 VDC 8 Sink Input w/4 M12s |
| 1738-IB8M8 | 24 VDC 8 Sink Input w/8 M8s |
| 1738-IB8M23 | 24 VDC 8 Sink Input w/1 M23 |
| 1738-IB4M12 | 24 VDC 4 Sink Input w/4 M12s |
| 1738-IB4M8 | 24 VDC 4 Sink Input w/4 M8s |
| 1738-IB2M12 | 24 VDC 2 Sink Input w/2 M12s |
| 1738-IV4M12 | 24 VDC 4 Source Input w/4 M12s |
| Analog Products | Description |
| 1738-IE2CM12 | 24 VDC 2 Analog Current Input w/2 M12s |
| 1738-IE2VM12 | 24 VDC 2 Analog Voltage Input w/2 M12s |
| 1738-OE2CM12 | 24 VDC 2 Analog Current Output w/2 M12s |
| 1738-OE2VM12 | 24 VDC 2 Analog Voltage Output w/2 M12s |
| 1738-IT2IM12 | 24 VDC 2 Thermocouple Input w/2 M12s |
| 1738-IR2M12 | 24 VDC 2 RTD Input w/2 M12s |
| AC and Relay Products | Description |
| 1738-OW4M12 | 24 VDC Coil N.O. Relay w/4 M12s |
| 1738-OW4M12AC4 | 24 VDC Coil N.O. Relay w/4 4-pin AC M12s |
| 1738-IA2M12AC4 | 120 VAC 2 Input w/2 4-pin AC M12s |
| 1738-IA2M12AC3 | 120 VAC 2 Input w/2 3-pin AC M12s |
| 1738-OA2M12AC3 | 120/230 VAC 2 Output w/2 4-pin AC M12s |
| Speciality Products | Description |
| 1738-232ASCM12 | RS232 Interface w/1 M12 |
| 1738-485ASCM12 | RS485 Interface w/1 M12 |
| 1738-VHSC24M23 | 24 VDC VHSC w/ Source Outputs w/1 M23 |
| 1738-IJM23 | 5 VDC Incremental Encoder w/1 M23 |
| 1738-SSIM23 | SSI Interface w/1 M23 |
| Adapter Products | Description |
| 1738-ADN12 | DeviceNet Adapter with 2 M12 connectors |
| 1738-ADN18 | DeviceNet Adapter with 1 Mini connectors |
| 1738-ADN18P | DeviceNet Adapter with 2 Mini connectors |
| 1738-ADNX | DeviceNet Adapter with Sub-net expansion |
| 1738-APB | PROFIBUS Adapter |
| 1738-ACNR | Redundant ControlNet Adapter |
| 1738-AENT | EtherNet/IP Adapter |
| Extender Products | Description |
| 1738-EXT1 | ArmorPoint 1m Bus Extension |
| 1738-EXT3 | ArmorPoint 3m Bus Extension |
| Power Supply Products | Description |
| 1738-FPD | Power Isolation Module |
| 1738-EP24DC | 24 VDC Power Extension |



ArmorPoint, On-Machine, ArmorStart and DeviceNet are trademarks of Rockwell Automation.



ArmorPoint™ I/O: On-Machine™ IP67 Modular I/O Platform



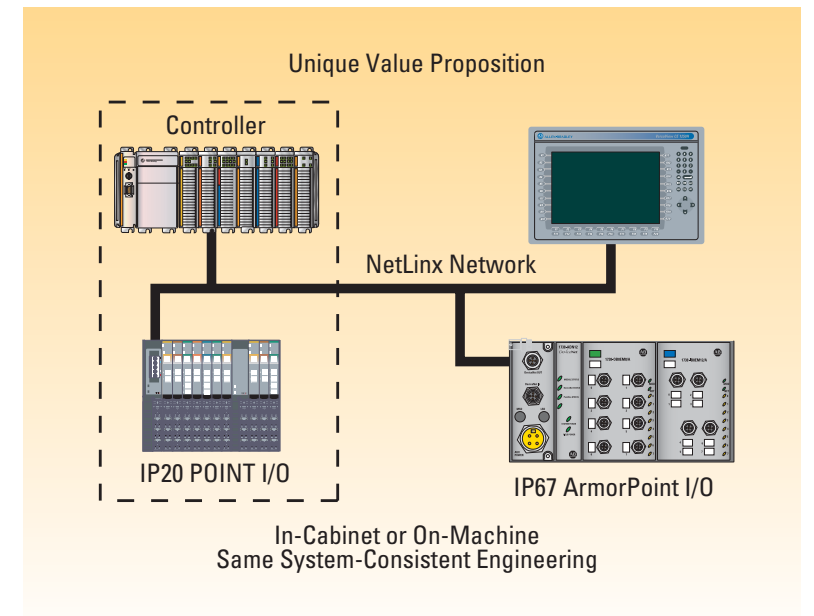
On-Machine™ IP67 Modular I/O Platform

Overview

ArmorPoint™ is the foundation for the next generation of On-Machine™ products from Rockwell Automation. The architecture of ArmorPoint is based on the POINT I/O system and reuses the circuitry of the adapter and I/O designs. The configuration of the ArmorPoint I/O modules also reuses the methodology employed in POINT I/O so that customers leverage their knowledge of the POINT I/O IP20 system in applying an ArmorPoint system. The system is IP67-compliant and adheres to other various certifications necessary to provide a complete On-Machine solution.

Benefits

- **Modular IP67 Construction:** Mount anywhere on the machine, close to the sensors and actuators for shorter cable runs.
- **Flexibility:** Accommodates up to 63 I/O modules per network node. Bus extension module allows for separation of modules on the same node.
- **Software:** ArmorPoint configures just like POINT I/O. No software training needed.
- **Complete Coverage:** Support for DeviceNet, ControlNet, EtherNet/IP and PROFIBUS and 30 different I/O types at release.
- **I/O Connector Choices:** M12, M8 and M23 Quick Disconnect styles available.
- **Power Segmentation:** Hardened power supplies allow for isolation, i.e. AC from DC, analog from digital, inputs from outputs.
- **Easy Module Replacements:** Modules held on base by unique latching mechanisms. No screws needed.
- **IP67 Motor Starter Integration:** ArmorStart™ connects directly to ArmorPoint on the same network node.



www.rockwellautomation.com

Corporate Headquarters
Rockwell Automation, 777 East Wisconsin Avenue, Suite 1400, Milwaukee, WI, 53202-5302 USA, Tel: (1) 414.212.5200, Fax: (1) 414.212.5201

Headquarters for Allen-Bradley Products, Rockwell Software Products and Global Manufacturing Solutions
Americas: Rockwell Automation, 1201 South Second Street, Milwaukee, WI 53204-2496 USA, Tel: (1) 414.382.2000, Fax: (1) 414.382.4444
Europe/Middle East/Africa: Rockwell Automation SA/NV, Vorstlaan/Boulevard du Souverain 36, 1170 Brussels, Belgium, Tel: (32) 2 663 0600, Fax: (32) 2 663 0640
Asia Pacific: Rockwell Automation, 27/F Citicorp Centre, 18 Whitfield Road, Causeway Bay, Hong Kong, Tel: (852) 2887 4788, Fax: (852) 2508 1846

Headquarters for Dodge and Reliance Electric Products
Americas: Rockwell Automation, 6040 Ponders Court, Greenville, SC 29615-4617 USA, Tel: (1) 864.297.4800, Fax: (1) 864.281.2433
Europe: Rockwell Automation, Brühlstraße 22, D-74834 Elztal-Dallau, Germany, Tel: (49) 6261 9410, Fax: (49) 6261 1774
Asia Pacific: Rockwell Automation, 55 Newton Road, #11-01/02 Revenue House, Singapore 307987, Tel: (65) 351 6723, Fax: (65) 355 1733

Publication 1738-PP001B-EN-P – April 2004
Supersedes Publication 1738-PP001A-EN-P – November 2003

Copyright © 2004 Rockwell Automation, Inc. All rights reserved. Printed in USA.

Product Profile

Rockwell
Automation