



Installation Instructions

Digital I/O Modules

(Catalog Number 1746 Series)

Input Module Catalog Numbers:

1746-IA4, -IA8, -IA16, -IB8, -IB16, -IC16, -IG16, -IH16, -IM4, -IM8, -IM16,
-IN16, -ITB16, -ITV16, -IV8, -IV16

Output Module Catalog Numbers:

1746-OA8, -OA16, -OAP12, -OB8, -OB6EI, -OB16, -OB16E, -OBP8,
-OBP16, -OG16, -OV8, -OV16, -OVP16, -OW4, -OW8, -OW16, -OX8

Combination Input/Output Module Catalog Numbers:

1746-IO4, -IO8, -IO12, -IO12DC

Important User Information

Because of the variety of uses for the products described in this publication, those responsible for the application and use of this control equipment must satisfy themselves that all necessary steps have been taken to assure that each application and use meets all performance and safety requirements, including any applicable laws, regulations, codes and standards.

The illustrations, charts, sample programs and layout examples shown in this guide are intended solely for purposes of example. Since there are many variables and requirements associated with any particular installation, Allen-Bradley does not assume responsibility or liability (to include intellectual property liability) for actual use based upon the examples shown in this publication.

Allen-Bradley publication SGI-1.1, *Safety Guidelines for the Application, Installation, and Maintenance of Solid-State Control* (available from your local Allen-Bradley office), describes some important differences between solid-state equipment and electromechanical devices that should be taken into consideration when applying products such as those described in this publication.

Reproduction of the contents of this copyrighted publication, in whole or in part, without written permission of Allen-Bradley Company, Inc., is prohibited.

Throughout these installation instructions we use notes to make you aware of safety considerations:

ATTENTION



Identifies information about practices or circumstances that can lead to personal injury or death, property damage or economic loss.

Attention statements help you to:

- identify a hazard
- avoid the hazard
- recognize the consequences

IMPORTANT

Identifies information that is critical for successful application and understanding of the product.

Table of Contents

Overview	4
Hazardous Location Considerations	4
Environnements Dangereux	4
Installation	5
Specifications	6
General I/O	6
Heat Dissipation	6
Input Modules - ac	8
Input Modules - dc	9
Output Modules - ac	12
Output Modules - dc	13
Relay Contact Output Modules	18
Relay Contact Ratings	19
Input/Output Combination Modules	20
Octal Label Kit Installation (for PLC Processors Only)	21
Applying the Octal Filter Label	21
Applying the Octal Door Label	21
Removable Terminal Blocks	21
Fuse Protection and Blown Fuse Diagnostics	22
Fuse Protection (1746-OBP16 and 1746-OVP16)	23
Fuse Protection (1746-OAP12)	23
Blown Fuse Diagnostics	23
Processor Operation in Case of Blown Fuse - Processor Continues	26
Processor Operation in Case of Blown Fuse - Processor Faults	26
Recovery From Blown Fuse/Processor Fault/Processor Shutdown	28
Replacement Fuse Recommendations	28
Fuse Replacement Procedure	29
Electronically Protected Modules (1746-OB6EI and -OB16E)	30
Electronic Protection	30
Auto Reset Operation	31
Short Circuit/Overload Current Diagnostics	31
Recovery From Channel Shutdown	31
Wiring Diagrams	32
Labeling for SLC/PLC® Systems	32
Input Modules - ac	33
Input Modules - dc	35
Output Modules - ac	37
Output Modules - dc	38
Relay Contact Output Modules	41
Input/Output Combination Modules	42

Overview

In addition to providing the module's electrical specifications, this document tells you how to:

- install the module into a chassis
- wire the module's terminal block
- install the Octal Filter Label

Hazardous Location Considerations

This equipment is suitable for use in Class I, Division 2, Groups A, B, C, D or non-hazardous locations only. The following WARNING statement applies to use in hazardous locations.

WARNING



EXPLOSION HAZARD

- Substitution of components may impair suitability for Class I, Division 2.
 - Do not replace components or disconnect equipment unless power has been switched off or the area is known to be non-hazardous.
 - Do not connect or disconnect components unless power has been switched off or the area is known to be non-hazardous.
 - All wiring must comply with N.E.C. article 501-4(b).
-

Environnements Dangereux

Cet équipement est conçu pour être utilisé dans des environnements de Classe I, Division 2, Groupes A, B, C, D ou non dangereux. La mise en garde suivante s'applique à une utilisation dans des environnements dangereux.

AVERTISSEMENT



DANGER D'EXPLOSION

- La substitution de composants peut rendre cet équipement impropre à une utilisation en environnement de Classe I, Division 2.
 - Ne pas remplacer de composants ou déconnecter l'équipement sans s'être assuré que l'alimentation est coupée.
 - Ne pas connecter ou déconnecter des composants sans s'être assuré que l'alimentation est coupée.
-

Installation

ATTENTION

Never install, remove, or wire modules with power applied to chassis.



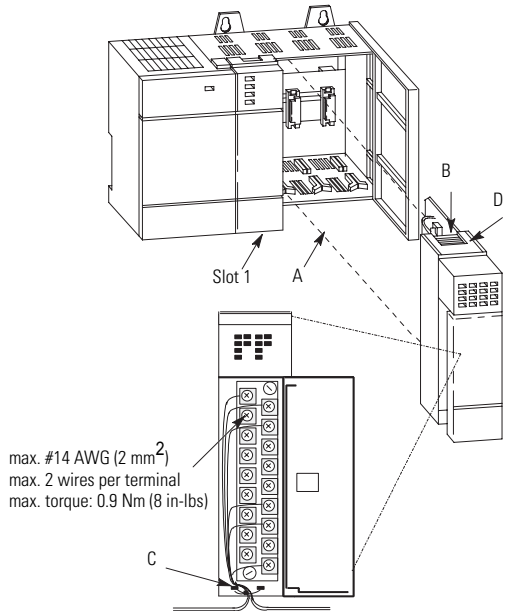
IMPORTANT

The first slot of the chassis is reserved for the processor or the 1747-ASB module.

1. Disconnect power.
2. Align circuit board of module with chassis card guide. (A)
3. Slide the module into the chassis until the bottom tabs lock into place. (B)
4. Route the wires down and away from the module, securing them with the wire tie. (C)
5. To keep the chassis free from debris, cover all unused slots with Card Slot Filler, catalog number 1746-N2.

To remove the module, press and hold the module release located on each self-locking tab, and slide the module out of the chassis slot. (D)

Figure 1 Module Installation



Specifications

General I/O

Table 1 Specifications for All Digital Modules

Operating Temperature	0°C to 60°C (32°F to 140°F) ⁽³⁾
Storage Temperature	-40°C to 85°C (-40°F to 185°F)
Operating Humidity	5% to 95% (noncondensing)
Noise Immunity	NEMA standard ICS 2-230
Vibration (Operating)	Displacement 0.015 in peak at 5 to 57 Hz Acceleration 2.5Gs at 57 to 2000 Hz
Shock (Operating)	30Gs (all modules except relay contact) 10Gs (relay contact modules: -OW, -OX, and combination I/O modules)
Isolation⁽¹⁾	1500V
Agency Certification	<ul style="list-style-type: none"> • UL listed • CSA certified or C-UL approved as indicated by product marking • CE compliant for all applicable directives when product or packaging is marked • C-Tick marked for all applicable acts
Hazardous Environment Class⁽²⁾	Class I, Division 2 Hazardous Environment UL-A196, CSA, C-UL

(1) Electro-optical isolation between I/O terminals and control logic.

(2) Some modules are classified Class 1, Division 2 by CSA only or C-UL only as shown in the specification table for the respective module.

(3) Exceptions are indicated with certain modules.

Heat Dissipation

The following tables contain values for the heat dissipated by each I/O module. Use them to calculate the total amount of heat dissipated by your SLC 500™ control system. For details on how to calculate total heat dissipation, refer to the *SLC 500 Modular Hardware Style User Manual*, publication 1747-UM011. Please note the following definitions:

- *Watts per Point* - the heat dissipation that can occur in each field wiring point when energized at nominal voltage.
- *Minimum Watts* - the amount of heat dissipation that can occur when there is no field power present.
- *Total Watts* - the watts per point multiplied by the number of points, plus the minimum watts (with all points energized).

Table 2 Input Module Heat Dissipation

Catalog Numbers	Watts per Point	Minimum Watts	Total Watts
1747-IA4	0.27	0.175	1.30
1746-IA8	0.27	0.250	2.40
1746-IA16	0.27	0.425	4.80
1746-IB8	0.20	0.250	1.90
1746-IB16	0.20	0.425	3.60
1746-IC16	0.22	0.425	3.95
1746-IG16	0.02	0.700	1.00
1746-IH16	0.32	0.217	5.17
1746-IM4	0.35	0.175	1.60
1746-IM8	0.35	0.250	3.10
1746-IM16	0.35	0.425	6.00
1746-IN16	0.35	0.425	6.00
1746-ITB16	0.20	0.425	3.60
1746-ITV16	0.20	0.425	3.60
1746-IV8	0.20	0.250	1.90
1746-IV16	0.20	0.425	3.60

Table 3 Output Module Heat Dissipation

Catalog Numbers	Watts per Point	Minimum Watts	Total Watts
1746-OA8	1.000	0.925	9.00
1746-OA16	0.462	1.850	9.30
1746-OAP12	1.000	1.850	10.85
1746-OB6EI	0.440	0.230	2.90
1746-OB8	0.775	0.675	6.90
1746-OB16	0.388	1.400	7.60
1746-OB16E	0.150	0.675	3.07
1746-OBP8	0.300	0.675	3.08
1746-OBP16	0.310	1.250	6.26
1746-OG16	0.033	0.900	1.50
1746-OV8	0.775	0.675	6.90
1746-OV16	0.388	1.400	7.60
1746-OVP16	0.310	1.250	6.26
1746-OW4	0.133	1.310	1.90
1746-OW8	0.138	2.590	3.70
1746-OW16	0.033	5.170	5.70
1746-OX8	0.825	2.590	8.60

Table 4 Combination Input/Output Module Heat Dissipation

Catalog Numbers	Watts per Point	Minimum Watts	Total Watts
1746-IO4	0.27 per input point 0.133 per output point	0.75	1.60
1746-IO8	0.27 per input point 0.133 per output point	1.38	3.00
1746-IO12	0.27 per input point 0.133 per output point	2.13	4.60
1746-IO12DC	0.20 per input point 0.133 per output point	1.84	3.90

Input Modules - ac

Table 5 Specifications for Input Modules 1746-IA4, -IA8, and -IA16

Specification	Catalog Number 1746-			
	IA4	IA8	IA16 ⁽¹⁾	
Voltage Category	100/120V ac Signal Input			
Number of Inputs	4	8	16	
Points per Common	4	8	16	
Operating Voltage	85 to 132V ac at 47 to 63 Hz			
Backplane Current Consumption	5V dc	0.035A	0.050A	0.085A
	24V dc	0.0A		
Signal Delay (max.)	on = 35 ms off = 45 ms			
Off State Voltage (max.)	30V ac			
Off State Current (max.)	2 mA			
Nominal Input Current at 120V ac	12 mA			
Inrush Current (max.)⁽²⁾	0.8A			
Inrush Current Time Duration (max.)	0.5 ms			

(1) Removable Terminal Block.

(2) An ac input device must be compatible with SLC 500 input circuit inrush current. A current limiting resistor can be used to limit inrush current; however, the operating characteristics of the ac input circuit will be affected.

Table 6 Specifications for Input Modules 1746-IM4, -IM8, and -IM16

Specification	Catalog Number 1746-			
	IM4	IM8	IM16 ⁽¹⁾	
Voltage Category	200/240V ac Signal Input			
Number of Inputs	4	8	16	
Points per Common	4	8	16	
Operating Voltage	170 to 265V ac at 47 to 63 Hz			
Backplane Current Consumption	5V dc	0.035A	0.050A	0.085A
	24V dc	0.0A		
Signal Delay (max.)	on = 35 ms off = 45 ms			
Off State Voltage (max.)	50V ac			
Off State Current (max.)	2 mA			
Nominal Input Current at 240V ac	12 mA			
Inrush Current (max.)⁽²⁾	1.6A			
Inrush Current Time Duration (max.)	0.5 ms			

(1) Removable Terminal Block.

(2) An ac input device must be compatible with SLC 500 input circuit inrush current. A current limiting resistor can be used to limit inrush current; however, the operating characteristics of the ac input circuit will be affected.

Input Modules - dc

Table 7 Specifications for Input Modules 1746-IB8, -IB16, -ITB16, and -IC16

Specification	Catalog Number 1746-			
	IB8	IB16 ⁽¹⁾	ITB16 ⁽¹⁾	IC16 ⁽¹⁾⁽²⁾
Voltage Category	24V dc Signal Input (sinking)			48V dc Signal Input (sinking)
Number of Inputs	8	16	16	16
Points per Common	8	16	16	16
Operating Voltage	10 to 30V dc (sinking)			30 to 60V dc at 55°C (sinking) 30 to 55V dc at 60°C (sinking)
Backplane Current Consumption	5V dc	0.050A		
	24V dc	0.0A		
Signal Delay (max.)	on = 8 ms off = 8 ms	on = 8 ms off = 8 ms	on = 0.3 ms off = 0.5 ms ⁽³⁾	on = 4 ms off = 4 ms
Off State Voltage (max.)	5.0V dc			10.0V dc
Off State Current (max.)	1 mA	1 mA	1.5 mA	1.5 mA
Nominal Input Current	8 mA at 24V dc			4.1 mA at 48V dc

(1) Removable Terminal Block.

(2) Use ID Code 0509 when configuring your system with programming software or the HHT.

(3) Typical signal delay for these modules: ON = 0.1 ms, OFF = 0.25 ms at 24V dc.

Table 8 Specifications for Input Modules 1746-IV8, -IV16, and -ITV16

Specification	Catalog Number 1746-		
	IV8	IV16 ⁽¹⁾	ITV16 ⁽¹⁾
Voltage Category	24V dc Signal Input (sourcing)		
Number of Inputs	8	16	16
Points per Common	8	16	16
Operating Voltage	10 to 30V dc (sourcing)		
Backplane Current Consumption	5V dc	0.050A	0.085A
	24V dc	0.0A	
Signal Delay (max.)	on = 8 ms off = 8 ms	on = 8 ms off = 8 ms	on = 0.3 ms off = 0.5 ms ⁽²⁾
Off State Voltage (max.)	5.0V dc		
Off State Current (max.)	1 mA	1 mA	1.5 mA
Nominal Input Current at 24V dc	8 mA		

(1) Removable Terminal Block.

(2) Typical signal delay for these modules: ON = 0.1 ms, OFF = 0.25 ms at 24V dc.

Table 9 Specifications for Input Module 1746-IG16

Specification	1746-IG16 ⁽¹⁾	
Voltage Category	5V dc TTL Signal Input (sourcing)	
Number of Inputs	16	
Points per Common	16	
Operating Voltage +5V to DC COM	4.5 to 5.5V dc (sourcing)	50 mV peak to peak ripple (max.)
Backplane Current Consumption	5V dc	0.140A
	24V dc	0.0A
Signal Delay (max.)	on = 0.25 ms	off = 0.50 ms
Off State Voltage (max.)	2 to 5.5 V dc ⁽²⁾	
Off State Current (max.)	4.1 mA	
Nominal Input Current at 5V dc	3.7 mA	

(1) Removable Terminal Block.

(2) TTL inputs are inverted (-0.2 to +0.8V dc = low voltage = True = ON). Use a NOT instruction in your ladder program to convert to traditional True = High logic.

ATTENTION

To avoid potential damage to TTL modules, handle them by the ends of the module, not metallic surfaces. Electrostatic discharges can damage the module. Care should be taken to prevent exposure of terminals or components to electrostatic charges.

Careful wire routing within the enclosure helps cut down electrical noise between I/O lines. Refer to the *SLC 500 Modular Hardware Style User Manual*, publication 1747-UM011, for recommended wiring procedures for TTL modules.

Cable Length - Limit cable length to 15 meters (50 feet) per point for inputs in standard environments. Refer to *Allen-Bradley Programmable Controller Wiring and Grounding Guidelines*, publication 1770-4.1, for complete information.

Table 10 Specifications for Input Module 1746-IN16

Specification	1746-IN16 ⁽¹⁾	
Voltage Category	24V ac/dc Signal Input	
Number of Inputs	16	
Points per Common	16	
Operating Voltage	dc	10 to 30V dc (sinking)
	ac	10 to 30V ac
Backplane Current Consumption	5V dc	0.085A
	24V dc	0.0A
Signal Delay (max.)	dc	on = 15 ms off = 15 ms
	ac	on = 25 ms off = 25 ms
Off State Voltage (max.)	dc	3.0V dc
	ac	3.0V ac
Off State Current (max.)	dc	1 mA
	ac	1 mA
Nominal Input Current	dc	8 mA at 24V dc
	ac	8 mA at 24V ac
Inrush Current (max.)	0.02A (ac only)	

(1) Removable Terminal Block.

Table 11 Specifications for Input Module 1746-IH16

Specification	1746-IH16 ⁽¹⁾⁽²⁾⁽³⁾	
Voltage Category	125V dc Signal Input (sinking)	
Number of Inputs	16	
Points per common	16	
Operating Voltage	Range: • 90 to 146V dc	Max. Points ON Simultaneously: • 16 at 146V dc and 30°C • 12 at 146V dc and 50°C • 14 at 132V dc and 55°C • 16 at 125V dc and 60°C
Backplane Current Consumption	5V dc	0.085A
	24V dc	0.0A

Table 11 Specifications for Input Module 1746-IH16

Specification	1746-IH16 ⁽¹⁾⁽²⁾⁽³⁾
Signal Delay (max.)	on = 9 ms off = 9 ms
Off State Voltage (max.)	20.0V dc
Off State Current (max.)	0.8mA
Nominal Input Current	2.15 mA at 125V dc
	2.25 mA at 132V dc

- (1) Removable Terminal Block.
- (2) Use ID Code 0507 when configuring your system with programming software or the HHT.
- (3) If the input module is connected in parallel with an inductive load, use surge suppression across the load to protect the input module from damage caused by reverse voltage. Refer to the *SLC 500 Modular Hardware Style User Manual*, publication 1747UM011, for more information on surge suppression.

Output Modules - ac

Table 12 Specifications for Output Modules 1746-OA8, -OA16, and -OAP12

Specification		Catalog Number 1746-		
		OA8	OA16 ⁽¹⁾	OAP12 ⁽¹⁾⁽²⁾⁽³⁾⁽⁴⁾
Voltage Category		120/240V ac Signal Input		
Number of Outputs		8	16	12
Points per Common		4	8	6
Operating Voltage		85 to 265V ac at 47 to 63 Hz		
Backplane Current Consumption	5V dc	0.185A	0.370A	0.370A
	24V dc	0.0A		
Max. Signal Delay, Resistive Load ⁽⁵⁾		on = 1 ms, off = 11.0 ms		
Off State Leakage (max.) ⁽⁶⁾		2 mA		
Load Current (min.)		10 mA		
Continuous Current per Point ⁽⁷⁾		1.0A at 30°C 0.50A at 60°C	0.50A at 30°C 0.25A at 60°C	2.0A at 30°C 1.25A at 55°C 1.0A at 60°C
Continuous Current per Module (max.)		8.0A at 30°C 4.0A at 60°C	8.0A at 30°C 4.0A at 60°C	9.0A at 30°C 6.0A at 60°C
On State Voltage Drop (max.)		1.50V at 1.0A	1.50V at 0.50A	1.2V at 2.0A
Surge Current per Point ⁽⁸⁾ (max.)		10.0A for 25 ms	10.0A for 25 ms	17.0A for 25 ms ⁽⁹⁾

- (1) Removable Terminal Block.
- (2) A fused common and blown fuse LED are provided on this module. See "Fuse Protection and Blown Fuse Diagnostics" on page 22.
- (3) Use ID Code 2803 when configuring your system with programming software or the HHT.

- (4) Certified for Class 1, Division 2 hazardous location by CSA.
- (5) Triac outputs turn on at any point in the ac line cycle, and turn off at ac line zero cross.
- (6) To limit the effects of leakage current through solid state outputs, a loading resistor can be connected in parallel with your load. For 120V ac operation, use a 15K Ω , 2W resistor. For 240V ac operation, use a 15K Ω , 5W resistor.
- (7) Recommended surge suppression: For triac outputs when switching 120V ac inductive loads, use Harris Metal-Oxide Varistor, model number V220MA2A. Refer to the *SLC 500 Modular Hardware Style User Manual*, publication 1747-UM011, for more information on surge suppression.
- (8) Repeatability is once every 1s at 30°C. Repeatability is once every 2s at 60°C.
- (9) Surge current = 35A per common for 10 ms.

Output Modules - dc

Table 13 Specifications for Output Modules 1746-OB8, -OB16, and -OB16E

Specification	Catalog Number 1746-		
	OB8	OB16 ⁽¹⁾	OB16E ⁽¹⁾⁽²⁾
Number of Outputs	8	16	16
Points per Common	8	16	16
Voltage Category	24V dc Signal Output		
Operating Voltage (V dc)	10 to 50 (source)		10 to 30 (source)
Backplane Current Consumption	5V dc	0.135A	0.280A
	24V dc	0.0A	
Signal Delay (max.). Resistive Load.	on = 0.1 ms off = 1.0 ms	on = 0.1 ms off = 1.0 ms	on = 1.0 ms ⁽³⁾ off = 1.0 ms
Off State Leakage (max.)⁽⁴⁾	1 mA		
Load Current (min.)	1 mA		
Continuous Current per Point⁽⁵⁾	1.0A at 30°C 0.50A at 60°C	0.50A at 30°C 0.25A at 60°C	1.0A at 30°C ⁽⁶⁾ 0.50A at 60°C
Continuous Current per Module	8.0A at 30°C 4.0A at 60°C	8.0A at 30°C 4.0A at 60°C	8.0A at 0 to 60°C
On State Voltage Drop (max.)	1.2V at 1.0A	1.2V at 0.50A	1.0V at 0.50A
Surge Current per Point⁽⁷⁾	3.0A for 10 ms	3.0A for 10 ms	2.0A for 10 ms ⁽⁸⁾

- (1) Removable Terminal Block.
- (2) Use the following ID Code when configuring your system with programming software or the HHT: 1746-OB16E = 2920.
- (3) Fast turn-off modules (1746-OB6EI, -OBP8 Series B and later, -OB16E Series B and later, -OBP16, and -OVP16) provide fast OFF delay for inductive loads. Comparative OFF delay times for 1746-OB8/-OV8 and fast turn-off modules, when switching Bulletin 100-B110 (24W sealed) contactor, are: 1746-OB8/-OV8 OFF delay = 152 ms; fast turn-off modules OFF delay = 47 ms.
- (4) To limit the effects of leakage current through solid state outputs, a loading resistor can be connected in parallel with your load. For transistor outputs, 24V dc operation, use a 5K Ω , 1/2W resistor.

- (5) Recommended surge suppression: For transistor outputs when switching 24V dc inductive loads, use a 1N4004 diode reverse-wired across the load. Refer to the *SLC 500 Modular Hardware Style User Manual*, publication 1747-UM011, for more information on surge suppression.
- (6) Fast off delay for inductive loads is accomplished with surge suppressors on the 1746-OB6EI, -OBP8 Series B and later, -OB16E Series B and later, -OBP16, and -OVP16 modules. A suppressor at the load is not needed unless another contact is connected in series. If this is the case, a 1N4004 diode should be reverse wired across the load. This defeats the fast turn-off feature.
- (7) Repeatability is once every 1s at 30°C. Repeatability is once every 2s at 60°C.
- (8) Surge current = 32A per module for 10 ms.



A transient pulse occurs in transistor outputs when the external dc supply voltage is applied to the output common terminals (e.g., via the master control relay). This can occur regardless of the processor having power or not. For most applications, the energy of this pulse is not sufficient to energize the load. Refer to the *SLC 500 Modular Hardware Style User Manual*, publication 1747-UM011, for more information on transient pulses and guidelines to reduce inadvertent processor operation.

Table 14 Specifications for Output Modules 1746-OB6EI, -OBP8, and -OBP16

Specification	Catalog Number 1746-		
	OB6EI ⁽¹⁾⁽²⁾	OBP8 ⁽¹⁾⁽²⁾⁽³⁾	OBP16 ⁽¹⁾⁽²⁾⁽⁴⁾⁽⁵⁾
Number of Outputs	6	8	16
Points per Common	Individually Isolated	4	16
Voltage Category	24V dc Signal Output		
Operating Voltage (V dc)	10 to 30 (source)	20.4 to 26.4 (source)	
Backplane Current Consumption	5V dc	0.046A	0.135A
	24V dc	0.0A	
Signal Delay (max.). Resistive Load.	on = 1.0 ms ⁽⁶⁾ off = 2.0 ms	on = 1.0 ms ⁽⁶⁾ off = 2.0 ms	on = 0.1 ms ⁽⁶⁾ off = 1.0 ms
Off State Leakage (max.)⁽⁷⁾	1 mA		
Load Current (min.)	1 mA		
Continuous Current per Point⁽⁸⁾⁽⁹⁾	2.0A at 0 to 60°C	2.0A at 0 to 60°C	1.5A at 30°C 1.0A at 60°C
Continuous Current per Module	12.0A at 0 to 60°C	8.0A at 0 to 60°C	6.4A at 0 to 60°C
On State Voltage Drop (max.)	1.0V at 2.0A	1.0V at 2.0A	1.0V at 1.0A
Surge Current per Point⁽¹⁰⁾	4.0A for 10 ms	4.0A for 10 ms	4.0A for 10 ms
Surge Current per Module⁽¹⁰⁾	24.0A for 10 ms	32.0A for 10 ms	32.0A for 10 ms

Table 14 Specifications for Output Modules 1746-OB6EI, -OBP8, and -OBP16

Specification	Catalog Number 1746-		
	OB6EI ⁽¹⁾⁽²⁾	OBP8 ⁽¹⁾⁽²⁾⁽³⁾	OBP16 ⁽¹⁾⁽²⁾⁽⁴⁾⁽⁵⁾
Electronic Protection	yes	no	no

- (1) Removable Terminal Block.
- (2) Use the following ID Code when configuring your system with programming software or the HHT: 1746-OB6EI = 2619, 1746-OBP8 = 2721 and 1746-OBP12 = 2921.
- (3) An external fuse can be used to protect this module from short circuits. Recommended fuse is SANO MQ4-3.15A, 5x20 mm.
- (4) A fused common and blown fuse LED are provided on this module. See "Fuse Protection and Blown Fuse Diagnostics" on page 22.
- (5) Certified for Class 1, Division 2 hazardous location by CSA.
- (6) Fast turn-off modules (1746-OB6EI, -OBP8 Series B and later, -OB16E Series B and later, -OBP16, and -OVP16) provide fast OFF delay for inductive loads. Comparative OFF delay times for 1746-OB8/-OV8 and fast turn-off modules; when switching Bulletin 100-B110 (24W sealed) contactor, are: 1746-OB8/-OV8 OFF delay = 152 ms; fast turn-off modules OFF delay = 47 ms.
- (7) To limit the effects of leakage current through solid state outputs, a loading resistor can be connected in parallel with your load. For transistor outputs, 24V dc operation, use a 5.6K Ω 1/2W resistor.
- (8) Recommended surge suppression: For transistor outputs when switching 24V dc inductive loads, use a 1N4004 diode reverse-wired across the load (also see footnote 9). Refer to the *SLC 500 Modular Hardware Style User Manual*, publication 1747-UM011, for more information on surge suppression.
- (9) Fast off delay for inductive loads is accomplished with surge suppressors on the 1746-OB6EI, -OBP8 Series B and later, -OB16E Series B and later, -OBP16, and -OVP16 modules. A suppressor at the load is not needed unless another contact is connected in series. If this is the case, a 1N4004 diode should be reverse wired across the load. This defeats the fast turn-off feature.
- (10) Repeatability is once every 1s at 30°C. Repeatability is once every 2s at 60°C.

ATTENTION

A transient pulse occurs in transistor outputs when the external dc supply voltage is applied to the output common terminals (e.g., via the master control relay). This can occur regardless of the processor having power or not. For most applications, the energy of this pulse is not sufficient to energize the load. Refer to the *SLC 500 Modular Hardware Style User Manual*, publication 1747-UM011, for more information on transient pulses and guidelines to reduce inadvertent processor operation.

Table 15 Specifications for Output Modules 1746-OV8, -OV16, and -OVP16

Specification	Catalog Number 1746-		
	OV8	OV16 ⁽¹⁾	OVP16 ⁽¹⁾⁽²⁾⁽³⁾⁽⁴⁾
Number of Outputs	8	16	16
Points per Common	8	16	16
Voltage Category	24V dc Signal Output		
Operating Voltage (V dc)	10 to 50 (sink)		20.4 to 26.4 (sink)
Backplane Current Consumption	5V dc	0.135A	0.270A
	24V dc	0.0A	
Signal Delay (max.). Resistive Load.	on = 0.1 ms off = 1.0 ms		on = 0.1 ms ⁽⁵⁾ off = 1.0 ms
Off State Leakage (max.)⁽⁶⁾	1 mA		
Load Current (min.)	1 mA		
Continuous Current per Point⁽⁷⁾	1.0A at 30°C	0.50A at 30°C	1.5A at 30°C ⁽⁸⁾
	0.50A at 60°C	0.25A at 60°C	1.0A at 60°C
Continuous Current per Module	8.0A at 30°C 4.0A at 60°C		6.4A at 0 to 60°C
On State Voltage Drop (max.)	1.2V at 1.0A	1.2V at 0.5A	1.0V at 1.0A
Surge Current per Point⁽⁹⁾	3.0A for 10 ms		4.0A for 10 ms ⁽¹⁰⁾

(1) Removable Terminal Block.

(2) A fused common and blown fuse LED are provided on this module. See "Fuse Protection and Blown Fuse Diagnostics" on page 22.

(3) Use the following ID Code when configuring your system with programming software or the HHT: 1746-OVP16 = 2922.

(4) Certified for Class 1, Division 2 hazardous location by CSA.

(5) Fast turn-off modules (1746-OB6EI, -OBP8 Series B and later, -OB16E Series B and later, -OBP16, and -OVP16) provide fast OFF delay for inductive loads. Comparative OFF delay times for 1746-OB8/-OV8 and fast turn-off modules; when switching Bulletin 100-B110 (24Ws sealed) contactor, are: 1746-OB8/-OV8 OFF delay = 152 ms; fast turn-off modules OFF delay = 47 ms.

(6) To limit the effects of leakage current through solid state outputs, a loading resistor can be connected in parallel with your load. For transistor outputs, 24V dc operation, use a 5.6K Ω 1/2W resistor.

(7) Recommended surge suppression: For transistor outputs when switching 24V dc inductive loads, use a 1N4004 diode reverse-wired across the load (also see footnote 9). Refer to the *SLC 500 Modular Hardware Style User Manual*, publication 1747UM011 for more information on surge suppression.

(8) Fast off delay for inductive loads is accomplished with surge suppressors on the 1746-OB6EI, -OBP8 Series B and later, -OB16E Series B and later, -OBP16, and -OVP16 modules. A suppressor at the load is not needed unless another contact is connected in series. If this is the case, a 1N4004 diode should be reverse wired across the load. This defeats the fast turn-off feature.

(9) Repeatability is once every 1s at 30°C. Repeatability is once every 2s at 60°C.

(10) Surge current = 32A per module for 10 ms.

ATTENTION

A transient pulse occurs in transistor outputs when the external dc supply voltage is applied to the output common terminals (e.g., via the master control relay). This can occur regardless of the processor having power or not. For most applications, the energy of this pulse is not sufficient to energize the load. Refer to the *SLC 500 Modular Hardware Style User Manual*, publication 1747-UM011, for more information on transient pulses and guidelines to reduce inadvertent processor operation.

Table 16 Specifications for Output Module 1746-0G16

Specification	1746-0G16 ⁽¹⁾	
Number of Outputs	16	
Points per Common	16	
Voltage Category	5V dc TTL Signal Input (sinking)	
Operating Voltage VDC to DC COM	4.5 to 5.5V dc ⁽²⁾ 50mV peak to peak ripple (max.)	
Backplane Current Consumption	5V dc	0.180A
	24V dc	0.0A
Signal Delay (max.). Resistive Load.	on = 0.25 mA off = 0.50 mA	
Offstate Voltage	4.5 to 5.5V dc ⁽²⁾	
Off State Leakage (max.)	0.1 mA	
Load Current (min.)	0.15 mA	
Continuous Current per Point	24 mA	

(1) Removable Terminal Block.

(2) TTL outputs are inverted (0 to 0.4V dc = low voltage = True = ON). Use a NOT instruction in your ladder program to convert to traditional True = High logic.

ATTENTION

To avoid potential damage to TTL modules, handle them by the ends of the module, not metallic surfaces. Electrostatic discharges can damage the module. Care should be taken to prevent exposure of terminals or components to electrostatic charges.

Careful wire routing within the enclosure helps cut down electrical noise between I/O lines. Refer to the *SLC 500 Modular Hardware Style User Manual*, publication 1747-UM011, for recommended wiring procedures for TTL modules.

Cable Length - Limit cable length to 3 meters (10 feet) per point for outputs in standard environments. Refer to *Allen-Bradley Programmable Controller Wiring and Grounding Guidelines*, publication 1770-4.1, for complete information.

Relay Contact Output Modules

Table 17 Specifications for Output Modules 1746-OW4, -OW8, -OW16, and -OX8

Specification		Catalog Number 1746-			
		OW4 ⁽¹⁾	OW8 ⁽¹⁾	OW16 ⁽¹⁾⁽²⁾	OX8 ⁽¹⁾⁽²⁾
Number of Outputs		4	8	16	8
Points per Common		4	4	8	Individually Isolated
Voltage Category		ac/dc Relay			
Operating Voltage	5V dc	5 to 125			
	24V ac	5 to 265			
Backplane Current Consumption	5V dc	0.045A	0.085A	0.170A	0.085A
	24V dc	0.045A	0.090A	0.180A	0.090A
Signal Delay (max.). Resistive Load.		on = 10.0 ms off = 10.0 ms			
Off State Leakage (max.)		0 mA			
Load Current (min.)		10mA at 5V dc			
Continuous Current per Point⁽³⁾		See relay contact ratings. (Table 18 and Table 19 on page 19)			
Continuous Current per Module		8.0A ac 8.0A /Common	16.0A ac 8.0A /Common	16.0A ac 8.0A /Common	⁽⁴⁾

(1) Certified for Class 1, Division 2 hazardous location by CSA.

(2) Removable Terminal Block.

(3) Recommended surge suppression: For relay contact outputs, refer to the *SLC 500 Modular Hardware User Manual* publication 1747-UM011. Connecting surge suppressors across your external inductive load will extend the life of SLC 500 relay contacts.

(4) The continuous current per module must be limited so the module power does not exceed 1440 VA.

Relay Contact Ratings

Table 18 Relay Contact Rating Table for Output Modules 1746-OW4, -OW8, and -OW16

Voltages:		Amperes ⁽²⁾		Amperes ⁽²⁾ Continuous	Volt-Amperes	
		Make	Break		Make	Break
Maximum Volts (ac)	120	15	1.5	2.5	1800	180
	240	7.5	0.75			
Maximum Volts (dc)	125	0.22 ⁽³⁾		1.0	28	
	24	1.2 ⁽³⁾		2.0	28	

Table 19 Relay Contact Rating Table for Output Module 1746-0X8

Voltages:		Amperes ⁽¹⁾		Amperes Continuous ⁽²⁾	Volt-Amperes	
		Make	Break		Make	Break
Maximum Volts (ac)	120	30	3.0	5.0	3600	360
	240	15	1.5			
Maximum Volts (dc)	125	0.22 ⁽³⁾		1.0	28	
	24	1.2 ⁽³⁾		2.0	28	

- (1) Recommended surge suppression: For relay contact outputs, refer to the *SLC 500 Modular Hardware User Manual*, publication 1747-UM011. Connecting surge suppressors across your external inductive load will extend the life of SLC 500 relay contacts.
- (2) The continuous current per module must be limited so the module power does not exceed 1440 VA.
- (3) For dc voltage applications, the make/break ampere rating for relay contacts can be determined by dividing 28 VA by the applied dc voltage. For example, 28 VA/48V dc = 0.58A. For dc voltage applications less than 14V, the make/break ratings for relay contacts cannot exceed 2A.

Input/Output Combination Modules

Table 20 Specifications for Combination Modules 1746-IO4, -IO8, -IO12, and -IO12DC

Specification	Catalog Number 1746-				
	IO4 ⁽¹⁾⁽²⁾	IO8 ⁽¹⁾⁽²⁾	IO12 ⁽¹⁾⁽³⁾⁽⁴⁾	IO12DC ⁽³⁾⁽⁵⁾⁽⁶⁾⁽⁷⁾	
Points per Module	2 inputs 2 outputs	4 inputs 4 outputs	6 inputs 6 outputs	6 inputs 6 outputs	
Points per Common	2	4	6	6	
Voltage Category (Inputs)	120V ac			24V dc	
Operating Voltage (Inputs)	85 to 132V ac			10 to 30V dc	
Voltage Category (Outputs)	100/120V ac Relay contact output				
Operating Voltage (Outputs)	5 to 265V ac 5 to 125V dc				
Backplane Current Consumption	5V dc	0.030A	0.060A	0.090A	0.080
	24V dc	0.025A	0.045A	0.070A	0.060

- (1) Certified for Class 1, Division 2 hazardous location by CSA.
- (2) See specifications for catalog numbers 1746-IA4 and 1746-OW4. Continuous Current per 1746-IO4 Module is 4.0A. Continuous Current per 1746-IO8 Module is 8.0A.
- (3) Removable Terminal Block.
- (4) See specifications for catalog numbers 1746-IA16 and 1746-OW16. Continuous Current per 1746-IO12 Module is 8.0A.
- (5) See specification for catalog numbers 1746-IB16 and 1746-OW16. Continuous Current per 1746-IO12DC Module is 8.0A.
- (6) Certified for Class 1, Division 2 hazardous location by C-UL.
- (7) Use the following ID Code when configuring your system with programming software or the HHT: 1746-IO12DC = 1512.

TIP



Combination I/O modules (Catalog Numbers 1746-IO4, 1746-IO8, 1746-IO12 and 1746-IO12DC:

For the first several seconds of any power-up or when power is applied to a rack that is not under processor control, the output LEDs of the combination IO modules in the rack will be illuminated.

Racks are not under processor control if one of the following conditions exist:

Modular Hardware Style (only): Processor is absent from the rack or the rack interconnect cable is not properly connected.

Modular Hardware Style and Fixed Hardware Style: The processor does not have the firmware PROM installed or the processor is not functioning properly.

Octal Label Kit Installation (for PLC Processors Only)

The octal label kit consists of an octal filter label and a door label. Use these octal labels to replace the decimal labels that are attached to the I/O modules. The octal label kit is included with the I/O modules and can also be obtained through your Allen-Bradley distributor.

ATTENTION

Do not touch or remove the terminal block when the SLC 500 system is powered. Contact with ac line potential may cause injury to personnel.

Applying the Octal Filter Label

1. Remove the octal filter label from its paper carrier.
2. Align the octal filter label numbers horizontally to the module color bar and over the decimal filter numbers.
3. Apply the octal label to the filter.
4. Press firmly to ensure proper adhesion of the label.

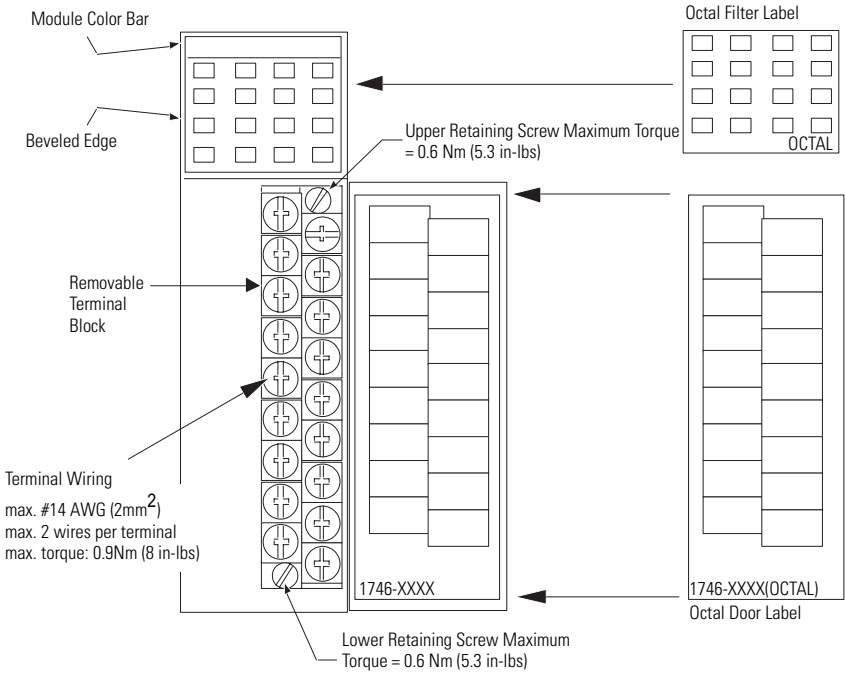
Applying the Octal Door Label

1. Remove the octal door label from its paper carrier.
2. Align the octal label directly over the decimal door label on the inside of the door.
3. Press firmly to ensure proper adhesion of the label.

Removable Terminal Blocks

Colored terminal blocks are removable by loosening the upper and lower retaining screws. Black terminal blocks are not removable.

Figure 2 Installing Octal Labels



Fuse Protection and Blown Fuse Diagnostics

This section describes fusing characteristics for the following modules:

- Catalog 1746-OBP16
- Catalog 1746-OVP16
- Catalog 1746-OAP12

Fuse Protection (1746-OBP16 and 1746-OVP16)

The fuse on the 1746-OBP16 and 1746-OVP16 modules (shown on page 24) has been designed to provide short-circuit protection for wiring only (16 AWG or larger) to external loads. In the event of a short circuit on an output channel, it is likely that the transistor associated with that channel will be damaged and the module should be replaced or a spare output channel used for the load. The fuse does not provide overload protection. In the event of an overload on an output channel, it is likely that the fuse will not blow and the transistor associated with that channel will be damaged. To provide overload protection for your application, user-supplied fuses should be installed externally and properly sized to match your individual load characteristics.

Fuse Protection (1746-OAP12)

A fuse is provided on each common of the 1746-OAP12 module (shown on page 25) for a total of 2 fuses. The fuses are designed to protect the module from short-circuit conditions. The fuse does not provide overload protection. In the event of an overload on an output channel, it is likely that the fuse will not blow and the output device associated with that channel will be damaged. To provide overload protection for your application, user-supplied fuses should be installed externally. Recommended fuse for overload protection is SAN-O HT. Select the fuse rating according to your load. Do not use HT fuses rated higher than 2.0A.

Blown Fuse Diagnostics

If the fuse blows on the 1746-OBP16, -OVP16 or -OAP12, the following occurs:

1. The blown fuse LED will illuminate provided power (5V dc via backplane and load power via external supply) is applied to the module.
2. A processor error will occur if JP1 connects pins 2 and 3. (See figures on page 24 and page 25.)

Figure 3 Location of Jumpers and Fuses for 1746-OBP16 and -OVP16

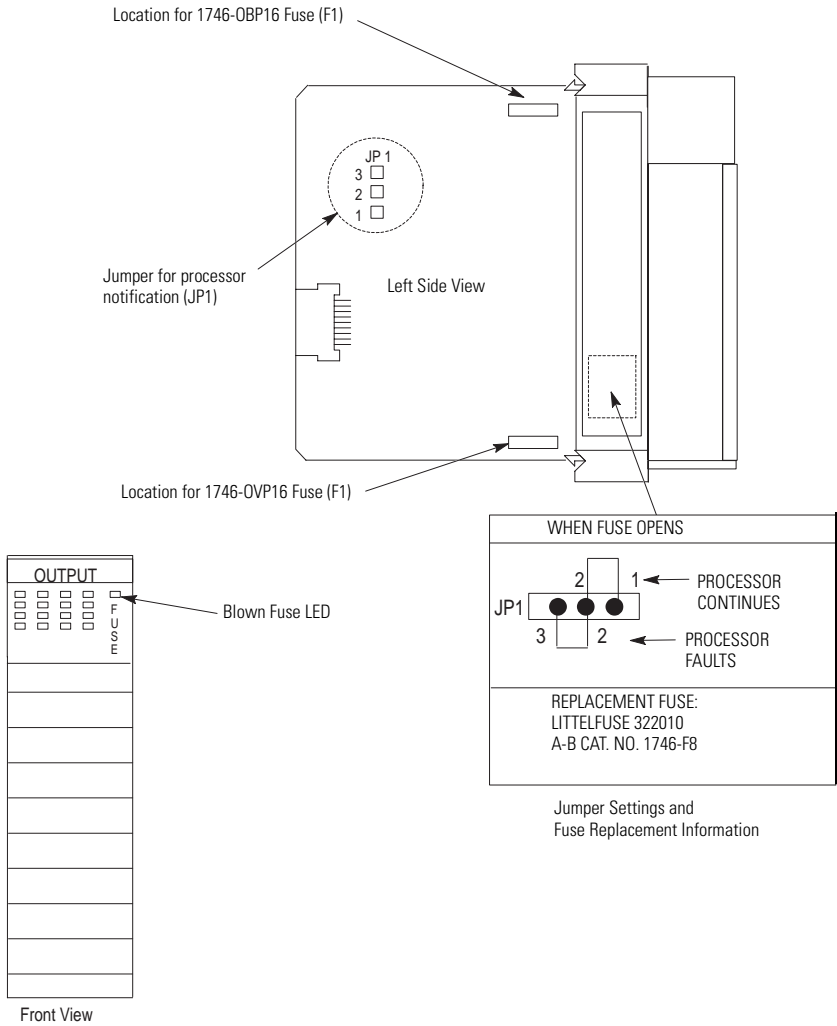
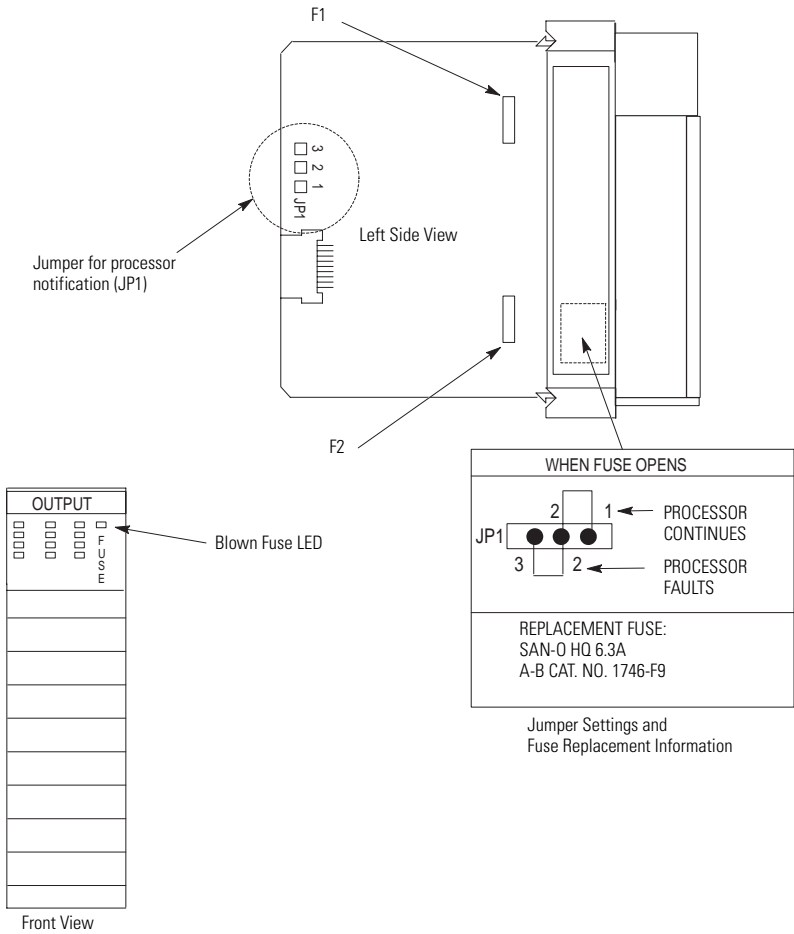


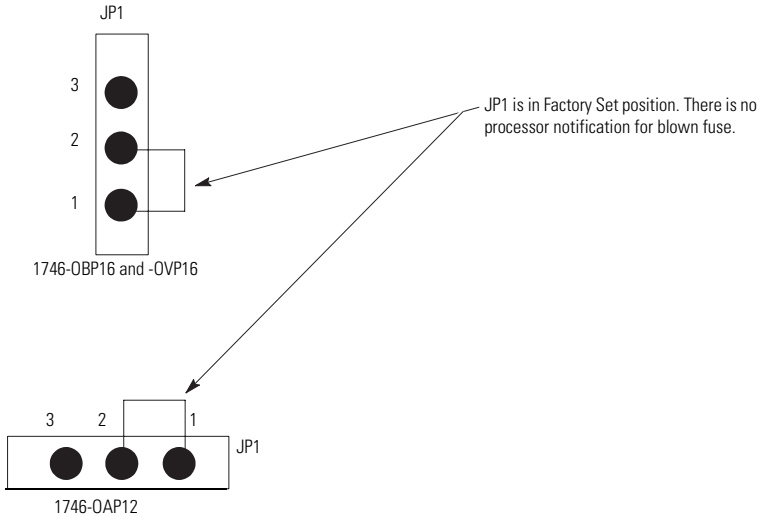
Figure 4 Location of Jumpers and Fuses for 1746-OAP12



Processor Operation in Case of Blown Fuse - Processor Continues

The factory set position for JP1 is shown in Figure 5. For this JP1 configuration, the processor operation will continue if the module fuse blows.

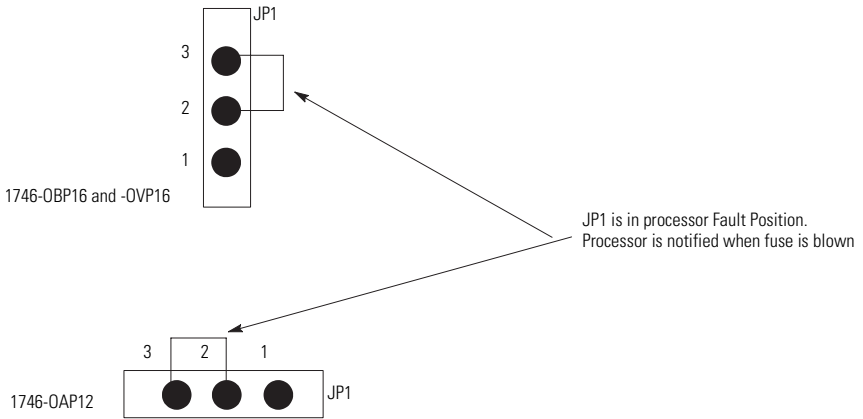
Figure 5 JP1 Factory Set Position (No Processor Notification)



Processor Operation in Case of Blown Fuse - Processor Faults

The Processor Fault position for JP1 is shown in Figure 6 on the following page. For this JP1 configuration, the processor generates a non-recoverable error for all SLC 500 processors. For a non-recoverable error, note the following:

- Processor operation halts and the processor fault light flashes.
- All outputs are reset to OFF.
- The processor major fault bit S:1/13 is set.
- Monitor processor status file word S:6 for error code xx58 for SLC 500 and 5/01™ processors, and error code xx60 for SLC 5/02™ and higher processors.

Figure 6 JP1 in Processor Fault Notification Position**IMPORTANT**

When using SLC 5/02 and higher processors, a User Fault Routine cannot be used to clear the major fault bit.

ATTENTION

For 1746-OBP16/-OVP16, all outputs on the module are OFF if the fuse blows. For 1746-OAP12, all outputs on the same common as the blown fuse are OFF. If processor operation is allowed to continue after a blown fuse, extreme care should be taken to ensure the safety of personnel and guard against equipment damage.

For additional information on processor fault codes and user fault routines refer to the following user manuals:

- Your programming device's reference manual
- HHT User Manual, publication 1747-NP002:

Chapter 28, Troubleshooting Faults

Chapter 29, Understanding the Fault Routine

Table 21 defines operation of all SLC 500 processors in the case of a blown fuse in a 1746-OBP16, -OVP16 and -OAP12:

Table 21 Processor Operation After A Blown Fuse (1746-OBP16, -OVP16 and -OAP12)

JP1 Set to Processor Continues	JP1 Set to Processor Faults
No error. Processor continues with 1746-OBP16/-OVP16 outputs de-energized. 1746-OAP12 outputs, on the same common as the blown fuse, are de-energized.	Non-recoverable error. Processor operations stop and all outputs reset to OFF.

Recovery From Blown Fuse/Processor Fault/Processor Shutdown

Processor operation will stop under the following conditions:

- The output module fuse blows due to a short circuit.
- JP1 is set to the *Processor Faults* position (pins 2 and 3 connected).

If the above conditions occur, the following procedures should be used for recovery:

1. Follow fuse replacement procedures shown on page 29.
2. Clear the processor major fault bit S:1/13.
3. Clear processor status file S:6 major error code (optional).
4. Return processor to Run Mode.

For additional information on processor fault codes and clearing processor fault bits, refer to the following user manuals:

- Your programming device's reference manual
- *HHT User Manual*, publication 1747-NP002
Chapter 28, Troubleshooting Fault
Chapter 29, Understanding the Fault Routine

Replacement Fuse Recommendations

Use the following replacement fuses:

- 1746-OBP16/-OVP16 -Littelfuse #322010,10A. This fuse is required to maintain UL/CSA rating. Replacement Fuse Kit is catalog number 1746-F8. (5 fuses per kit).
- 1746-OAP12 -Use SAN-O HQ 6.3A for replacement. This fuse is required to maintain UL/CSA rating. Replacement Fuse Kit is catalog number 1746-F9 (5 fuses per kit).

Fuse Replacement Procedure

To replace a blown fuse:

ATTENTION

Never install, remove, or wire modules with power applied to chassis.



-
1. Remove SLC 500 system power and correct the conditions causing the short circuit.
 2. Remove the output module from the chassis.
 3. Remove the fuse.
 - 1746-OBP16/-OVP16: Use a wide tipped, slotted head screw driver to remove the blown fuse. Slide the screw driver tip under the fuse and use a twisting motion to pry the fuse from the fuse clip. Use care so that the printed circuit board and surrounding electronics are not damaged.
 - 1746-OAP12: A fuse holder is provided with each fuse. Simply grasp the fuse holder with needle-nose pliers, or your fingers, and pull it out.
 4. Replace the fuse.
 - 1746-OBP16/OVP16: Center the replacement fuse over the fuse clip and press down. If a tool is used to press the fuse in place, apply pressure to the metal end caps only, not the center of the fuse.
 - 1746-OAP12: Insert a new fuse into the fuse holder, align fuse holder on fuse clips and press down.
 5. Replace the output module in the chassis.
 6. Restore SLC 500 system power. Clear processor fault bits as indicated in the steps provided on page 28.

Electronically Protected Modules (1746-OB6EI and -OB16E)

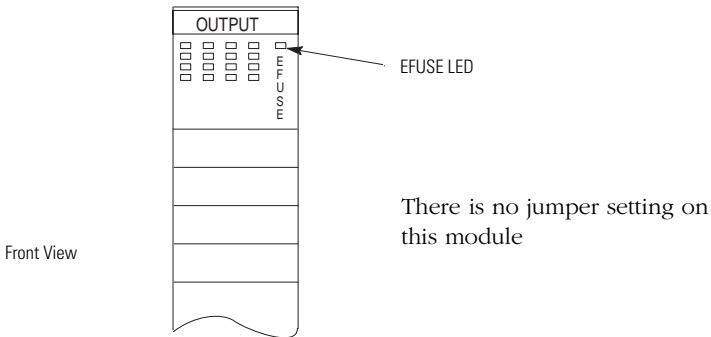
Electronic Protection

The electronic protection of the 1746-OB6EI and -OB16E has been designed to provide protection for the modules from short circuit and overload current conditions. The protection is based on a thermal cut-out principle. In the event of a short circuit or overload current condition on an output channel, that channel will limit current within milliseconds after its thermal cut-out temperature has been reached. All other channels continue to operate as directed by the CPU (processor) module.

IMPORTANT

The modules do not provide protection against reverse polarity wiring or wiring to AC power sources. Electronic protection is not intended to replace fuses, circuit breakers, or other code-required wiring protection devices.

Figure 7 EFUSE LED



Auto Reset Operation

IMPORTANT

The 1746-OB6EI and -OB16E perform auto-reset under overload conditions. When an output channel overload occurs as described on page 30, that channel will limit current within milliseconds after its thermal cut-out temperature has been reached. While in current limit, the output channel can cool below the thermal cut-out temperature allowing the module to auto-reset and resume control of the output channel as directed by the processor until the thermal cut-out temperature is again reached.

Removing power from an overloaded output channel would also allow the output channel to cool below the thermal cut-out temperature, allowing auto-reset to occur when power is restored. The output channel would operate as directed by the processor until the thermal cut-out temperature is again reached.

To avoid auto-reset of an output channel under overload conditions, an external mechanical fuse can be used to open the circuit when overloaded.

Short Circuit/Overload Current Diagnostics

If a short circuit or overload current condition occurs on an output channel:

1. The E-Fuse LED will illuminate provided that power is applied to the module. Power required: 5V dc via backplane and load power via an external supply.
2. All other channels continue to operate as directed by the CPU (processor) module.

Recovery From Channel Shutdown

1. Remove the SLC 500 system power and correct the conditions causing the short circuit or overload current condition.
2. Restore the SLC 500 system power. The module automatically resets and resumes control of the output channel and associated load.

Wiring Diagrams

The wiring diagrams in these installation instructions are examples only. It is not necessary to connect an I/O device to each and every I/O module terminal.

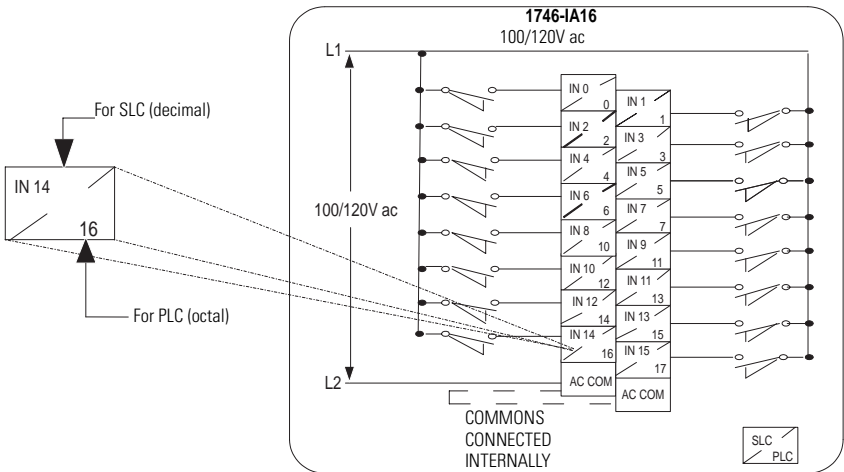
Labeling for SLC/PLC® Systems

In this document, 16-point I/O module wiring diagrams include both decimal and octal numbers for I/O addressing and wire identification (see figure below). To wire your 16-point I/O module when used in a SLC system, use the decimal numbers in the upper left portion of each box. When used in a PLC system, use the octal numbers in the lower right portion of the box. *As shipped from the factory, the I/O module has a decimal address label on the inside of its door.* An octal label kit should be included with your 16-point I/O modules, or a separate octal conversion kit can be ordered, to allow you to convert your module to the octal system.

IMPORTANT

Ensure the octal labels are used with your PLC system. Directions on how to install the labels are included with the kit and on page 21 of this document.

Figure 8 Decimal and Octal Labeling for 16-Point I/O Modules



Input Modules - ac

Figure 9 Wiring Diagrams (1746-IA4, -IA8, -IA16)

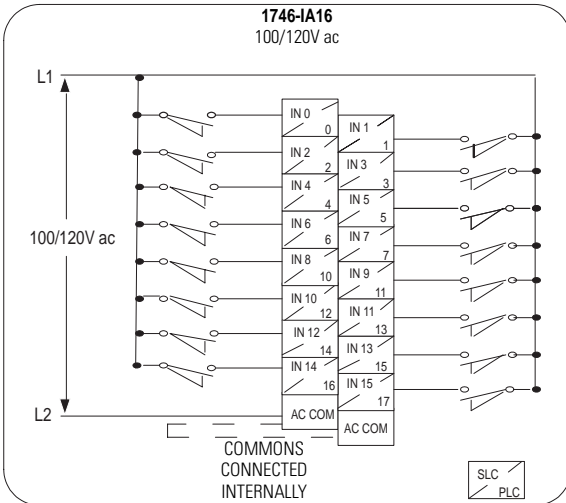
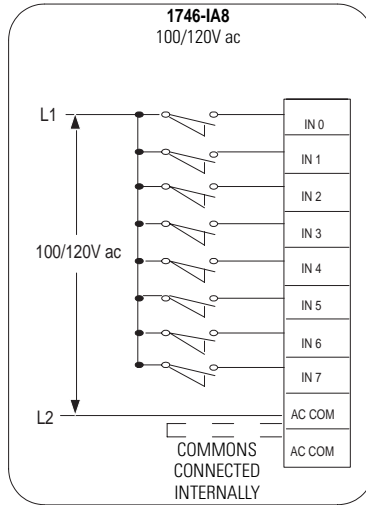
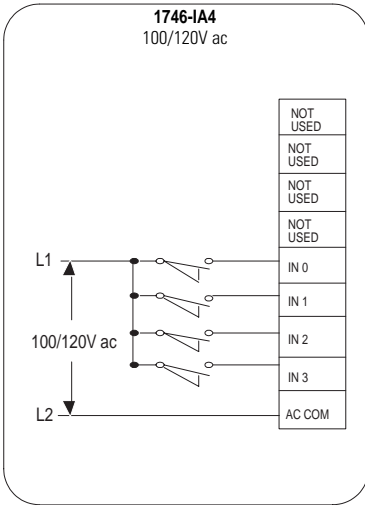
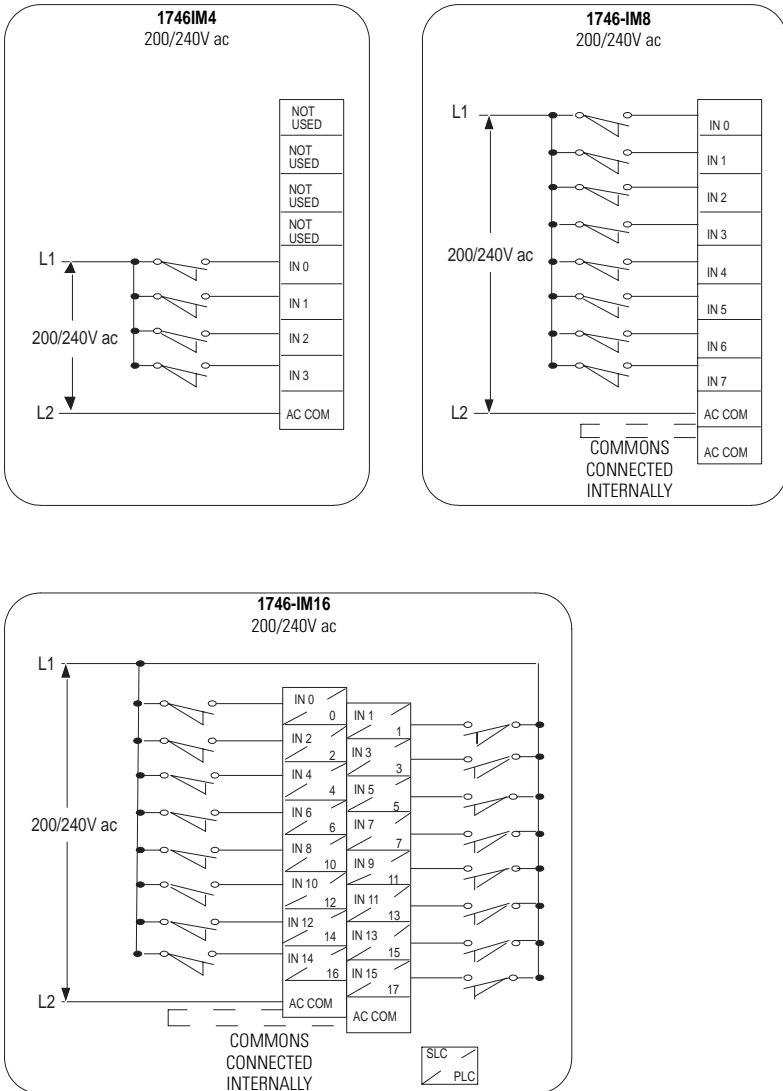


Figure 10 Wiring Diagrams (1746-IM4, -IM8, -IM16)



Input Modules - dc

Figure 11 Wiring Diagram (1746-IN16)

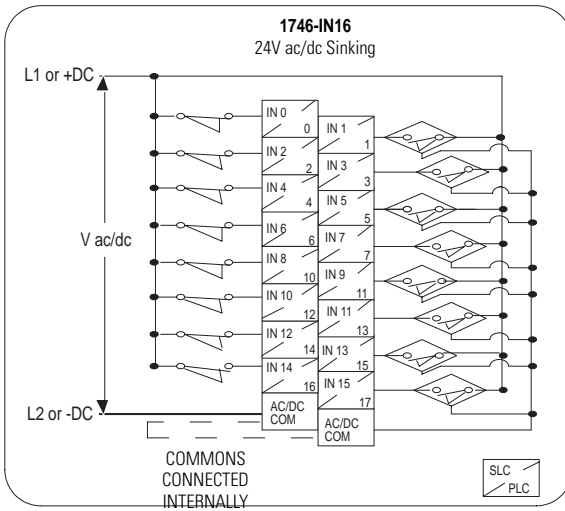


Figure 12 Wiring Diagram (1746-IB8, -IB16, -ITB16, -IC16, -IH16)

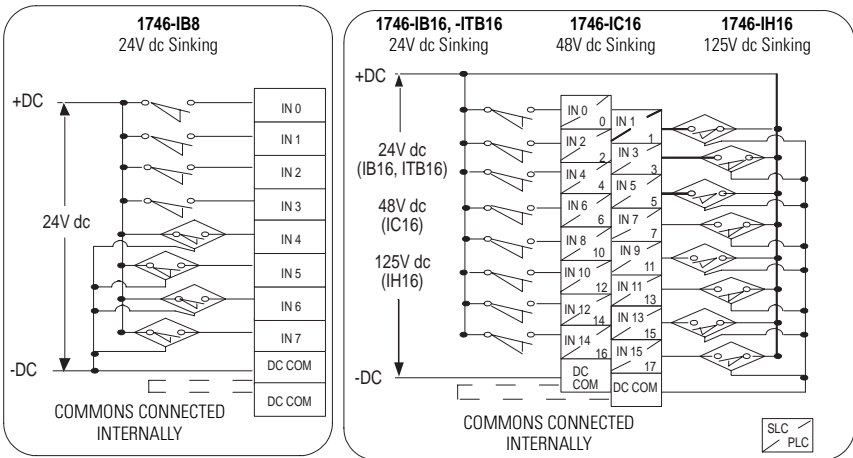


Figure 13 Wiring Diagram (1746-IV8, -IV16, -ITV16)

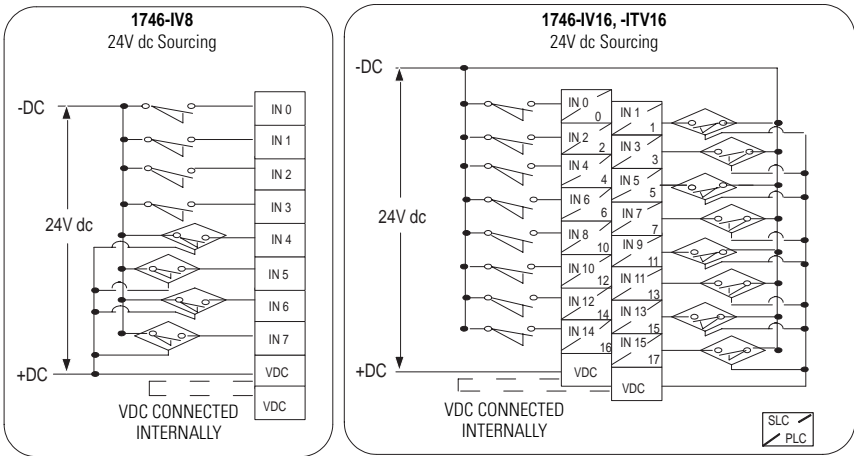
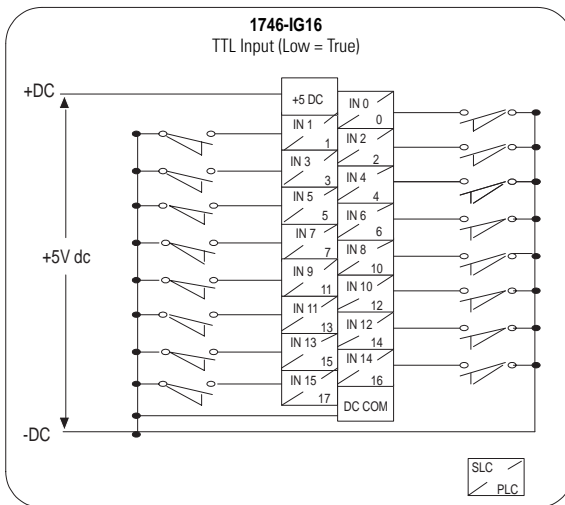


Figure 14 Wiring Diagram (1746-IG16)



Output Modules - ac

Figure 15 Wiring Diagrams (1746-OA8, -OA16)

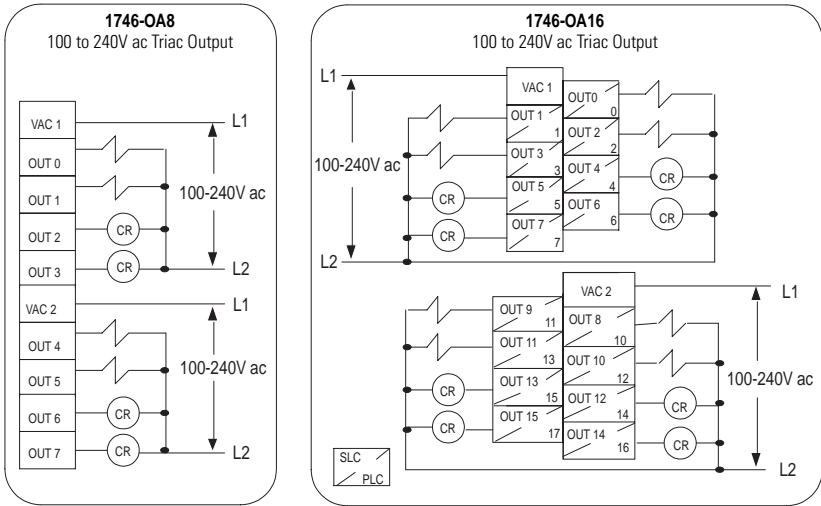
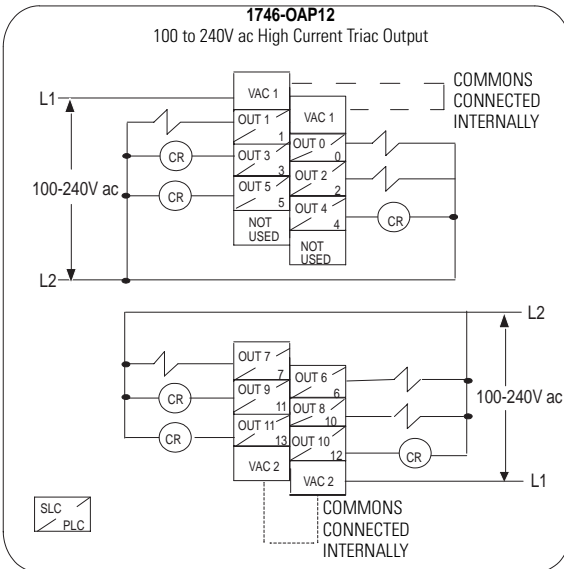


Figure 16 Wiring Diagram (1746-OAP12)



Output Modules - dc

Figure 17 Wiring Diagrams (1746-OB6EI)

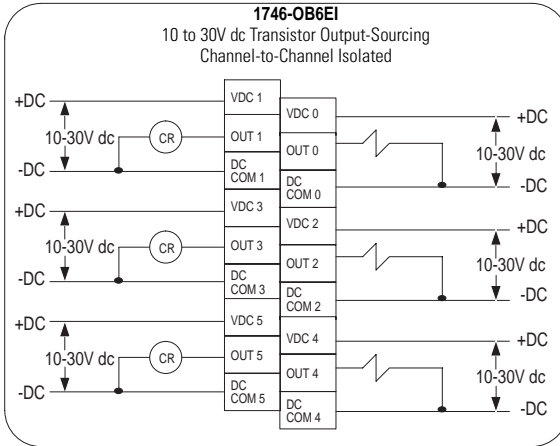


Figure 18 Wiring Diagrams (1746-OB8, -OBP8, -OB16, -OB16E, -OBP16)

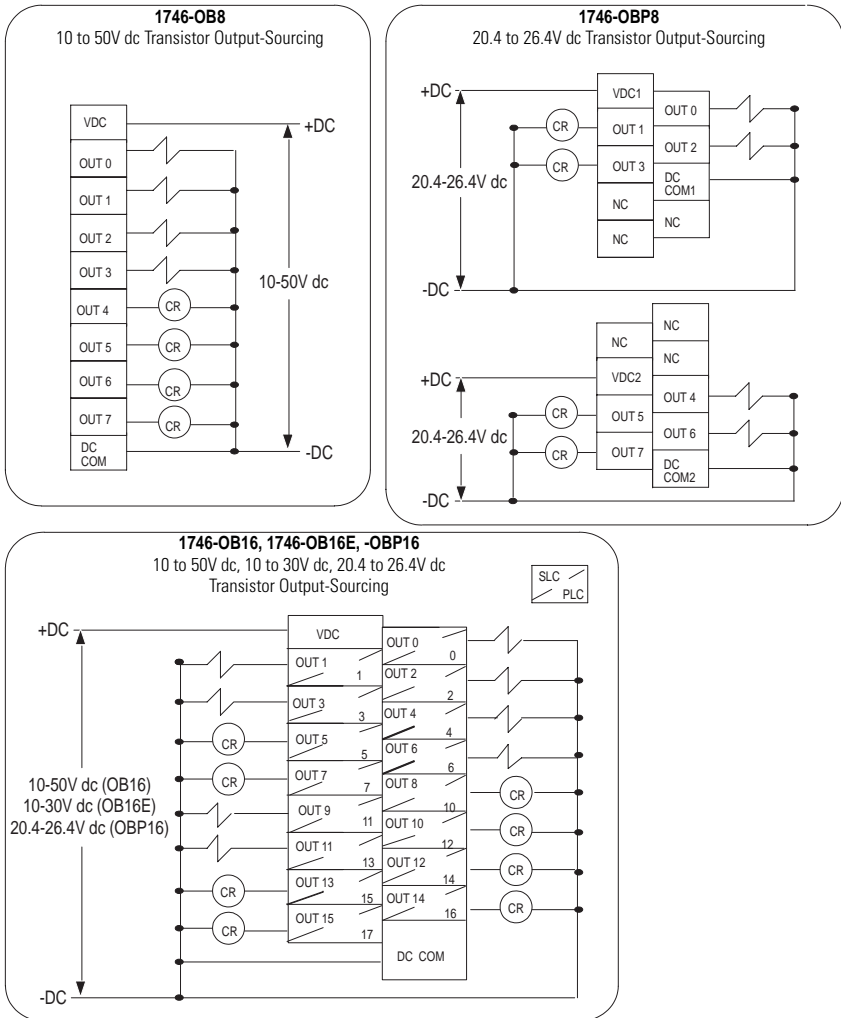


Figure 19 Wiring Diagrams (1746-OV8, -OV16, -OVP16)

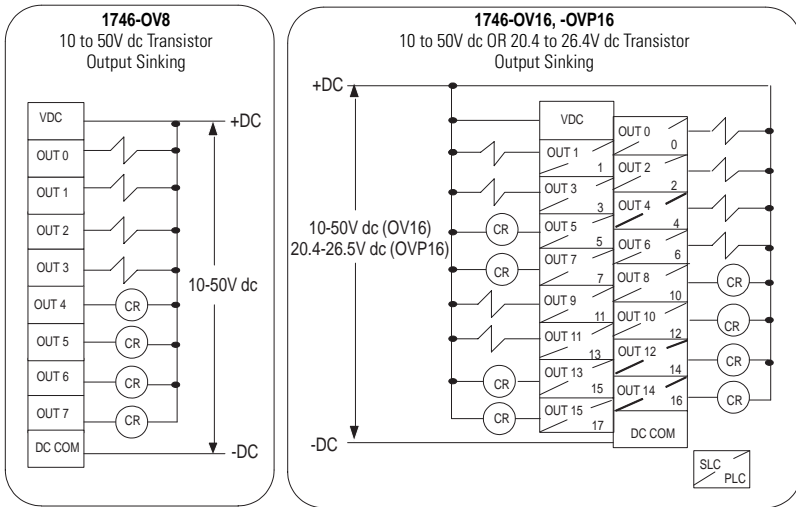
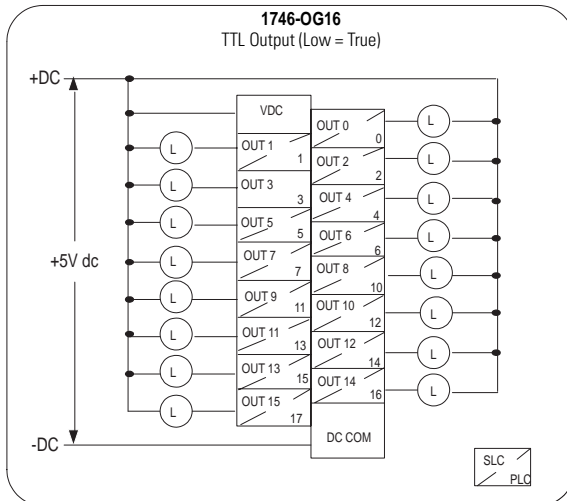


Figure 20 Wiring Diagrams (1746-OG16)



Relay Contact Output Modules

Figure 21 Wiring Diagrams (1746-OW4, -OW8, -OW16)

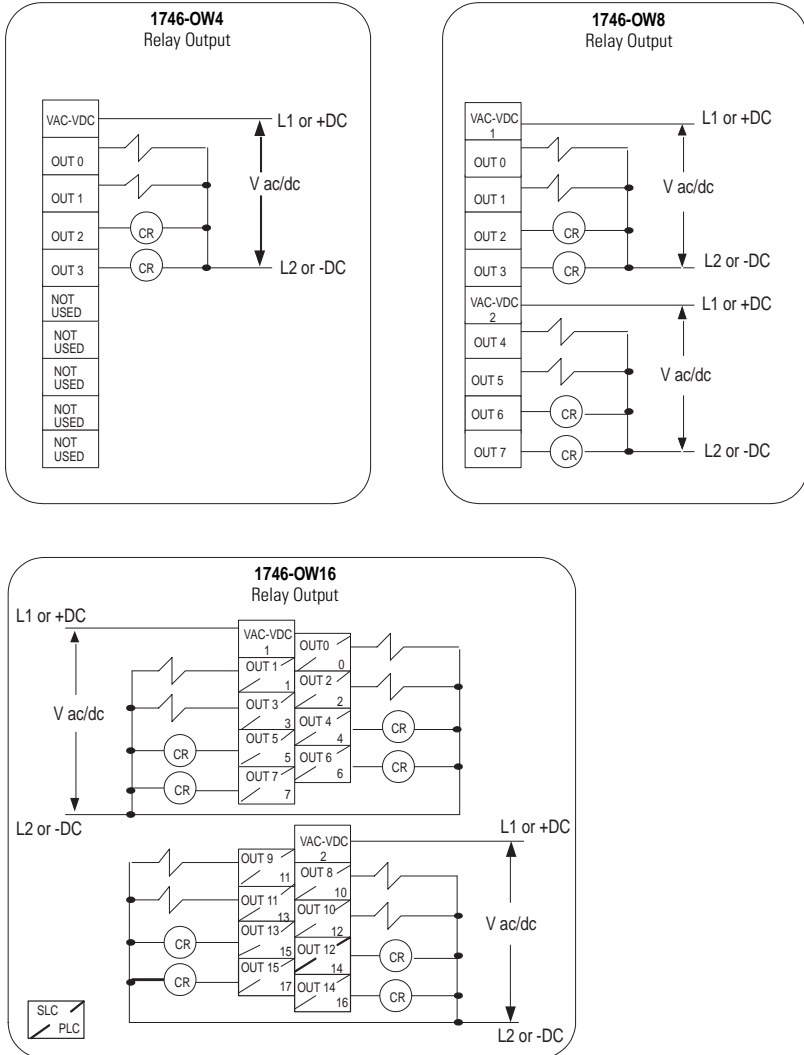
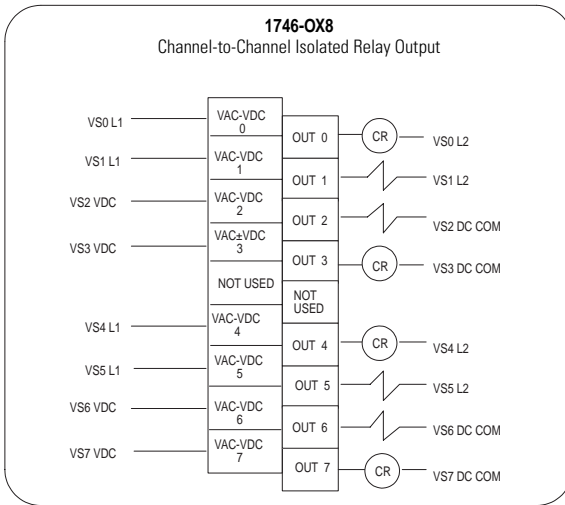


Figure 22 Wiring Diagram (1746-OX8)



Input/Output Combination Modules

Figure 23 Wiring Diagram (1746-IO4, -IO8)

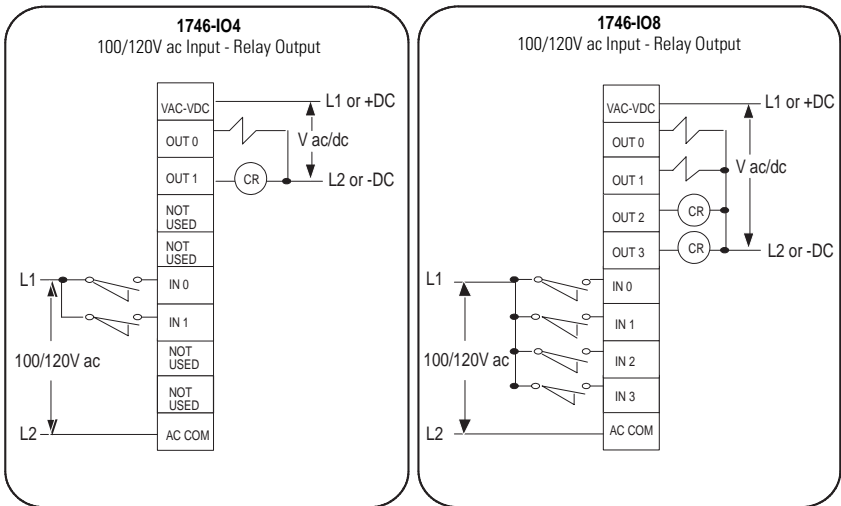


Figure 24 Wiring Diagram (1746-I012)

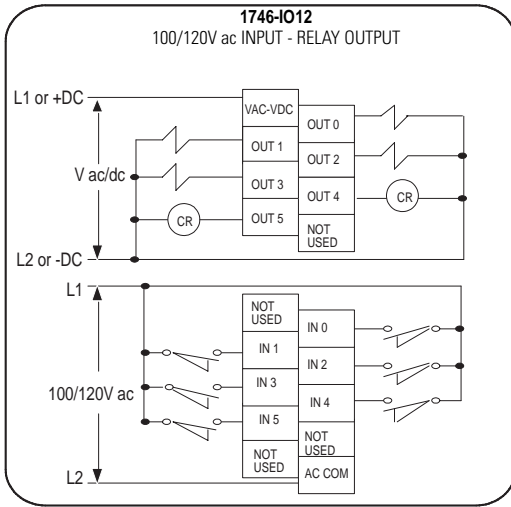
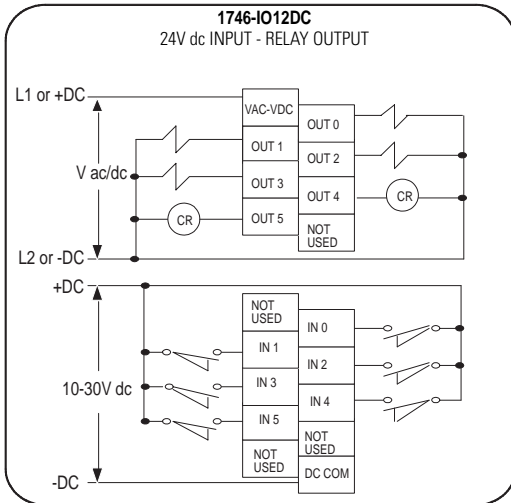


Figure 25 Wiring Diagram (1746-I012DC)



For More Information

For	Refer to this Document	Pub. No.
A more detailed description on how to install and use your modular SLC 500 system.	SLC 500 Modular Hardware Style User Manual	1747-UM011
A reference manual that contains status file data, instruction set, and troubleshooting information.	SLC 500 Instruction Set Reference Manual	1747-RM001
In-depth information on grounding and wiring Allen-Bradley programmable controllers	Allen-Bradley Programmable Controller Grounding and Wiring Guidelines	1770-4.1

If you would like a manual, you can:

- download a free electronic version from the internet:
www.theautomationbookstore.com
- purchase a printed manual by:
 - contacting your local distributor or Rockwell Automation representative
 - visiting **www.theautomationbookstore.com** and placing your order
 - calling **1.800.963.9548** (USA/Canada) or **001.330.725.1574** (Outside USA/Canada)

PLC is a registered trademark of Rockwell Automation.

SLC 500, SLC 5/01, SLC 5/02, SLC 5/03, SLC 5/04, and SLC 5/05 are trademarks of Rockwell Automation.

www.rockwellautomation.com

Corporate Headquarters

Rockwell Automation, 777 East Wisconsin Avenue, Suite 1400, Milwaukee, WI, 53202-5302 USA, Tel: (1) 414.212.5200, Fax: (1) 414.212.5201

Headquarters for Allen-Bradley Products, Rockwell Software Products and Global Manufacturing Solutions

Americas: Rockwell Automation, 1201 South Second Street, Milwaukee, WI 53204-2496 USA, Tel: (1) 414.382.2000, Fax: (1) 414.382.4444

Europe/Middle East/Africa: Rockwell Automation SA/NV, Vorstlaan/Boulevard du Souverain 36, 1170 Brussels, Belgium, Tel: (32) 2 663 0600, Fax: (32) 2 663 0640

Asia Pacific: Rockwell Automation, 27/F Citicorp Centre, 18 Whitfield Road, Causeway Bay, Hong Kong, Tel: (852) 2887 4788, Fax: (852) 2508 1846

Headquarters for Dodge and Reliance Electric Products

Americas: Rockwell Automation, 6040 Ponders Court, Greenville, SC 29615-4617 USA, Tel: (1) 864.297.4800, Fax: (1) 864.281.2433

Europe/Middle East/Africa: Rockwell Automation, Brühlstraße 22, D-74834 Elztal-Dallau, Germany, Tel: (49) 6261 9410, Fax: (49) 6261 17741

Asia Pacific: Rockwell Automation, 55 Newton Road, #11-01/02 Revenue House, Singapore 307987, Tel: (65) 6356-9077, Fax: (65) 6356-9011

Publication 1746-IN005B-EN-P - September 2002

PN 40071-079-01 (2)

Supersedes Publication 1746-IN005A-US-P - January 2000

Copyright © 2002 Rockwell Automation. All rights reserved. Printed in the U.S.A.

