

AC/DC Relay Output Modules (1746-OW4, -OW8, -OW16, -OX8)

Specification	Catalog Number			
	1746-OW4	1746-OW8	1746-OW16 (RTB)	1746-OX8 (RTB)
Voltage Category	ac/dc Relay			
Operating Voltage	5 to 265V ac at 47 to 63 Hz / 5 to 125V dc			
Number of Outputs	4	8	16	8
Points per Common	4	4	8	Individually Isolated
Backplane Current Draw	5V	0.045A	0.085A	0.170A
	24V	0.045A	0.090A	0.180A
Signal Delay (max.) (Resistive Load)	on = 10 ms / off = 10 ms			
Off-State Leakage (max.)	0 mA			
Load Current (min.)	10 mA at 5V dc			
Continuous Current per Point ^① (max.)	Refer to the <i>Relay Contact Ratings</i> tables shown below.			
Continuous Current per Module (max.)	8.0A ac	16.0A ac	16.0A ac	②
Current per Common (max.)	8.0A	8.0A	8.0A	

Relay Contact Ratings for 1746-OW4, OW8, and OW16

Maximum Volts		Amperes ^①		Amperes Continuous ^②	Volt-Amperes	
		Make	Break		Make	Break
ac	240V ac	7.5A	0.75A	2.5A	1800 VA	180 VA
	120V ac	15A	1.5A			
dc	125V dc	0.22A ^③		1.0A	28 VA	
	24V dc	1.2A ^③		2.0A		

Relay Contact Ratings for 1746-OX8

Maximum Volts		Amperes ^①		Amperes Continuous ^②	Volt-Amperes	
		Make	Break		Make	Break
ac	240V ac	15A	1.5A	5.0A	3600 VA	360 VA
	120V ac	30A	3.0A			
dc	125V dc	0.22A ^③		1.0A	28 VA	
	24V dc	1.2A ^③		2.0A		

① Connecting surge suppressors across your external load will extend the life of SLC 500 relay contacts. For recommended surge suppressors when switching ac inductive loads, consult the SLC 500 Modular Hardware Style Installation and Operation User Manual (Publication 1747-6.2) or the SLC 500 Fixed Hardware Style Installation and Operation User Manual (Publication 1747-6.21). Recommended surge suppression for switching 24V dc inductive loads is a 1N4004 diode reverse wired across the load.

② The continuous current per module must be limited so the module power does not exceed 1440 VA.

③ For dc voltage applications, the make/break ampere rating for relay contacts can be determined by dividing the 28 VA by the applied dc voltage. For example, 28 VA/48V dc = 0.58A. For dc voltage applications less than 14V, the make/break ratings for relay contacts cannot exceed 2A.

RTB = Removable Terminal Block.

Allen-Bradley Motors

Operating Voltage Range

(For ac operation: voltage is applied between L1 and L2.)

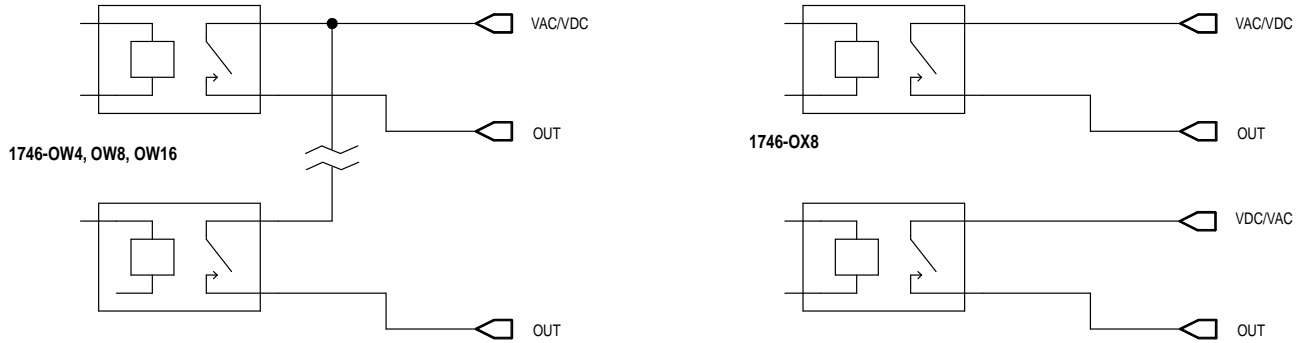
0 V 5V ac
0 V 5V dc

265V ac
125V dc

(For dc operation: voltage applied is between +VDC and DC common.)



Circuit Diagram



Wiring Diagrams

