



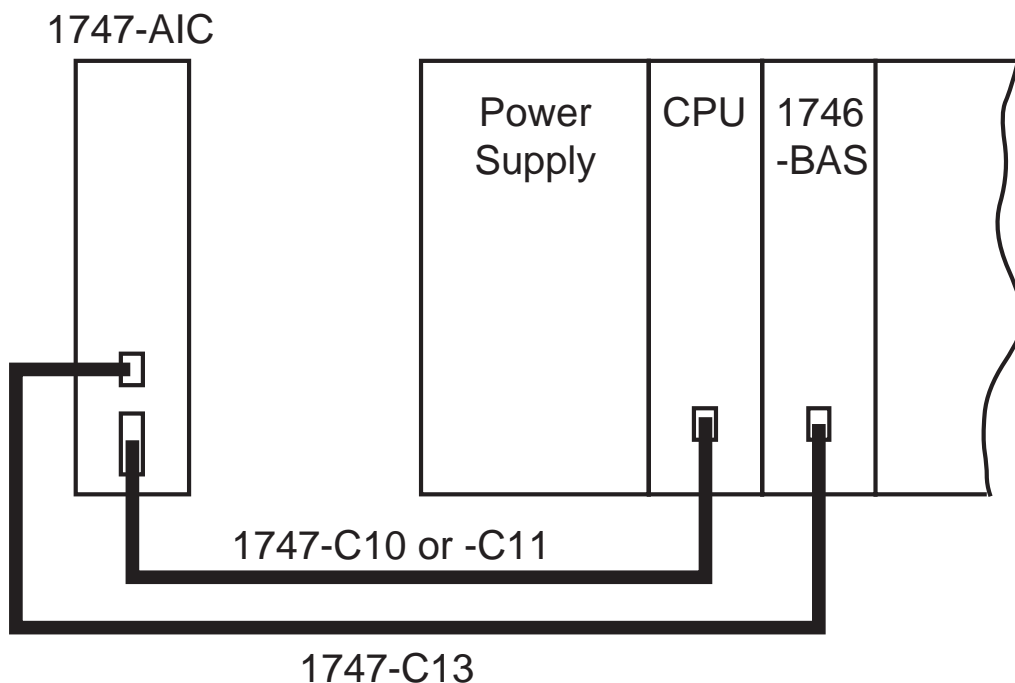
INSTRUCTION SHEET FOR CATALOG NO. 1747-C13 CABLE

This cable, Catalog Number 1747-C13 is used to connect devices such as the Basic Module, Catalog Number 1746-BAS to the Link Coupler, Catalog Number 1747-AIC.

IMPORTANT:

The 1747-C13 cable does not conduct the 24 VDC power required by the Link Coupler. The Link Coupler must be connected to an SLC 500 processor with a 1747-C10 or 1747-C11 cable or powered by an external 24 VDC power supply to operate.

Example Connection:



40063-133-01 (B)
Printed in Singapore.



ALLEN-BRADLEY
A ROCKWELL INTERNATIONAL COMPANY

AB Drives