



*Allen-Bradley*

*Ethernet  
SLC 500™  
Processors*

*(Catalog Numbers  
1747-L551, -L552, and -L553)*

# Quick Start for Experienced Users

Allen-Bradley Parts

## Important User Information

Because of the variety of uses for the products described in this publication, those responsible for the application and use of this control equipment must satisfy themselves that all necessary steps have been taken to assure that each application and use meets all performance and safety requirements, including any applicable laws, regulations, codes and standards.

The illustrations, charts, sample programs and layout examples shown in this guide are intended solely for purposes of example. Since there are many variables and requirements associated with any particular installation, Allen-Bradley does not assume responsibility or liability (to include intellectual property liability) for actual use based upon the examples shown in this publication.

Allen-Bradley publication SGI-1.1, *Safety Guidelines for the Application, Installation, and Maintenance of Solid-State Control* (available from your local Allen-Bradley office), describes some important differences between solid-state equipment and electromechanical devices that should be taken into consideration when applying products such as those described in this publication.

Reproduction of the contents of this copyrighted publication, in whole or in part, without written permission of Allen-Bradley Company, Inc., is prohibited.

Throughout this manual we use notes to make you aware of safety considerations:



**ATTENTION:** Identifies information about practices or circumstances that can lead to personal injury or death, property damage or economic loss.

---

Attention statements help you to:

- identify a hazard
- avoid the hazard
- recognize the consequences

**Important:** Identifies information that is critical for successful application and understanding of the product.

# Table of Contents

---

<b>Preface</b>	Who Should Use this Manual . . . . .	P-1
	Purpose of This Manual . . . . .	P-1
	Related Documentation . . . . .	P-2
	Conventions Used in this Manual . . . . .	P-3
	Allen-Bradley Support . . . . .	P-3
	Local Product Support . . . . .	P-3
	Technical Product Assistance . . . . .	P-3
	Your Questions or Comments on this Manual . . . . .	P-4
<b>SLC 5/05 Ethernet Processor Features</b>	<b>Chapter 1</b>	
	SLC 5/05 Processors and Ethernet Communication . . . . .	1-1
	Passthru Feature . . . . .	1-2
	SLC 5/05 Performance Considerations . . . . .	1-2
	Hardware Features . . . . .	1-2
	Processor Status LED Operation . . . . .	1-3
	Keyswitch Operation . . . . .	1-4
	RUN Position . . . . .	1-4
	PROG Position . . . . .	1-4
	REM Position . . . . .	1-4
<b>Setting Up the SLC and PC Hardware</b>	<b>Chapter 2</b>	
	Required Tools and Equipment . . . . .	2-1
	Install the Power Supply . . . . .	2-1
	Install the Processor . . . . .	2-3
	Apply Power to the Processor . . . . .	2-4
	Connect the SLC 5/05 and the PC to the Ethernet Network . . . . .	2-4
	Ethernet Network Topology . . . . .	2-4
	Ethernet Channel 1 8-Pin 10Base-T Connector . . . . .	2-5
	Cables . . . . .	2-5
	Load Your Programming Software . . . . .	2-5
<b>Configuring the Ethernet Channel for Local</b>	<b>Chapter 3</b>	
	Configuration Methods . . . . .	3-1
	Configuration Using RSLogix500 Programming Software . . . . .	3-2
	Define SLC 5/05 Processor and I/O Modules . . . . .	3-2
	Create Program and Configure Comms Drivers . . . . .	3-5
	Download the Program . . . . .	3-6
	Switch to the Ethernet Network and Go ONLINE . . . . .	3-7

	Configuration Via BOOTP . . . . .	3-7
	Using DOS/Windows BOOTP . . . . .	3-8
	Install the DOS/Windows BOOTP server . . . . .	3-9
	Edit the DOS/Windows BOOTP Configuration File . . . . .	3-9
	Run the Boot Server Utility . . . . .	3-11
	Running the DOS-Based Utility . . . . .	3-11
	Running the Windows-Based Utility . . . . .	3-12
<b>Communicating on the Ethernet Network</b>	<b>Chapter 4</b>	
	Ethernet Connections . . . . .	4-1
	MSG Instruction . . . . .	4-2
	Limitation for Manipulating the Control Block Bits . . . . .	4-2
	Control Block Layouts . . . . .	4-3
	MSG Instruction Control Block . . . . .	4-4
	Interpreting MSG Error Codes . . . . .	4-6
	Interpreting Ethernet Status Data . . . . .	4-8
	Using Subnet Masks and Gateways . . . . .	4-10
	Manually Configuring Channel 1 for Processors on Subnets . . . . .	4-11
	Using BOOTP to Configure Channel 1 for Processors on Subnets . . . . .	4-12
<b>Using RS232-to-Ethernet<sup>®</sup> Channel-to-Channel Passthru</b>	<b>Chapter 5</b>	
	Passthru Feature . . . . .	5-1
	Address Routing Table . . . . .	5-1
	Status File Bits . . . . .	5-2
	MSG Error Code . . . . .	5-2
	Passthru Examples . . . . .	5-3
	Example 1: DF1-to-Ethernet and Ethernet-to-DF1 . . . . .	5-3
	Example 2: DH485-to-Ethernet and Ethernet-to-DH485 . . . . .	5-11
<b>Specifications</b>	<b>Appendix A</b>	
	System Test General Specifications . . . . .	A-1
	Processor General Specifications . . . . .	A-2
<b>(Optional) Return Processor to Initial Factory Conditions</b>	<b>Appendix B</b>	

---

# Preface

Read this preface to familiarize yourself with the rest of the manual. This preface covers the following topics:

- who should use this manual
- how to use this manual
- related publications
- conventions used in this manual
- Allen-Bradley support

## Who Should Use this Manual

Use this manual if you are responsible for designing, installing, programming, or troubleshooting control systems that use Allen-Bradley small logic controllers.

You should have a basic understanding of SLC 500™ products. You should understand programmable controllers and be able to interpret the ladder logic instructions required to control your application. If you do not, contact your local Allen-Bradley representative for information on available training courses before using this product.

## Purpose of This Manual

This manual is for users of the Ethernet SLC 5/05 processor. It:

- presents you with the basic information you need to get your system up and running
- provides “memory jogger” information, such as specific bit and switch settings for modules
- includes high-level procedures with cross-reference to other manuals for more detail

# Allen-Bradley Parts

## Related Documentation

The table below provides a listing of publications that contain important information about Allen-Bradley Small Logic Controllers and their installation and application. You may want to reference them while you are installing the SLC 500 controller. (To obtain a copy of one of these publications, contact your local Allen-Bradley office or distributor.)

For	Read This Document	Document Number
An overview of the SLC 500 family of products	SLC 500 System Overview	1747-2.30
A description on how to install and use your Modular SLC 500 programmable controller	Installation & Operation Manual for Modular Hardware Style Programmable Controllers	1747-6.2
A reference manual that contains status file data and instruction set information for the SLC 500 processors and MicroLogix 1000 Controllers.	SLC 500 and MicroLogix 1000 Instruction Set Reference Manual	1747-6.15
In-depth information on grounding and wiring Allen-Bradley programmable controllers	Allen-Bradley Programmable Controller Grounding and Wiring Guidelines	1770-4.1
A description of important differences between solid-state programmable controller products and hard-wired electromechanical devices	Application Considerations for Solid-State Controls	SGL-1.1
An article on wire sizes and types for grounding electrical equipment	National Electrical Code	Published by the National Fire Protection Association of Boston, MA.
A complete listing of current Allen-Bradley documentation, including ordering instructions. Also indicates whether the documents are available on CD-ROM or in multiple languages.	Allen-Bradley Publication Index	SD499
A glossary of industrial automation terms and abbreviations	Allen-Bradley Industrial Automation Glossary	AG-7.1

## Conventions Used in this Manual

The following conventions are used throughout this manual:

- Bulleted lists such as this one provide information, not procedural steps.
- Numbered lists provide sequential steps
- *Italic* type is used for emphasis.
- Text in `this font` indicates words or phrases you should type.
- Text enclosed “in quotation marks” indicates selections you should make.

## Allen-Bradley Support

Allen-Bradley offers support services worldwide, with over 75 Sales/Support Offices, 512 authorized Distributors and 260 authorized Systems Integrators located throughout the United States alone, plus Allen-Bradley representatives in every major country in the world.

### Local Product Support

Contact your local Allen-Bradley representative for:

- sales and order support
- product technical training
- warranty support
- support service agreements

### Technical Product Assistance

If you need to contact Allen-Bradley for technical assistance, please record information about the problem situation, including any error codes and state of LED indicators. If possible, please also have the following information ready: hardware series, operating system used, firmware level, and software release. Then call your local Allen-Bradley representative.

# Allen-Bradley Parts

### **Your Questions or Comments on this Manual**

If you find a problem with this manual, please notify us using the enclosed Publication Problem Report.

If you have any suggestions for how this manual could be made more useful to you, please contact us at the address below:

Allen-Bradley Company, Inc.  
Control and Information Group  
Technical Communication, Dept. A602V, T122  
P.O. Box 2086  
Milwaukee, WI 53201-2086



## SLC 5/05 Ethernet Processor Features

This chapter:

- describes SLC 5/05 processors and Ethernet communication
- describes SLC 5/05 performance considerations
- illustrates SLC 5/05 hardware features
- explains processor status LED operation
- explains keyswitch operation

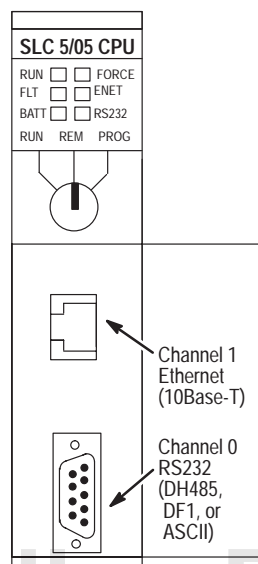
### SLC 5/05 Processors and Ethernet Communication

Ethernet is a local area network that provides communication between various devices at 10 Mbps. The physical communication media options for the SLC 5/05 are:

- built-in
  - twisted pair (10Base-T)
- with media converters or hubs
  - fiber optic
  - broadband
  - thick-wire coaxial cable (10Base-5)
  - thin-wire coaxial cable (10Base-2)

See page 2–4 for more information on Ethernet physical media.

The SLC 5/05 supports Ethernet communication via the Ethernet communication channel 1 shown in the drawing below.



Allen-Bradley Parts

### Passthru Feature

SLC 5/05 (1747-OS501, FRN 3) processors support RS232-to-Ethernet channel-to-channel passthru. See Chapter 5 for more information on using the new passthru feature.

### SLC 5/05 Performance Considerations

Actual performance of an SLC 5/05 processor varies according to:

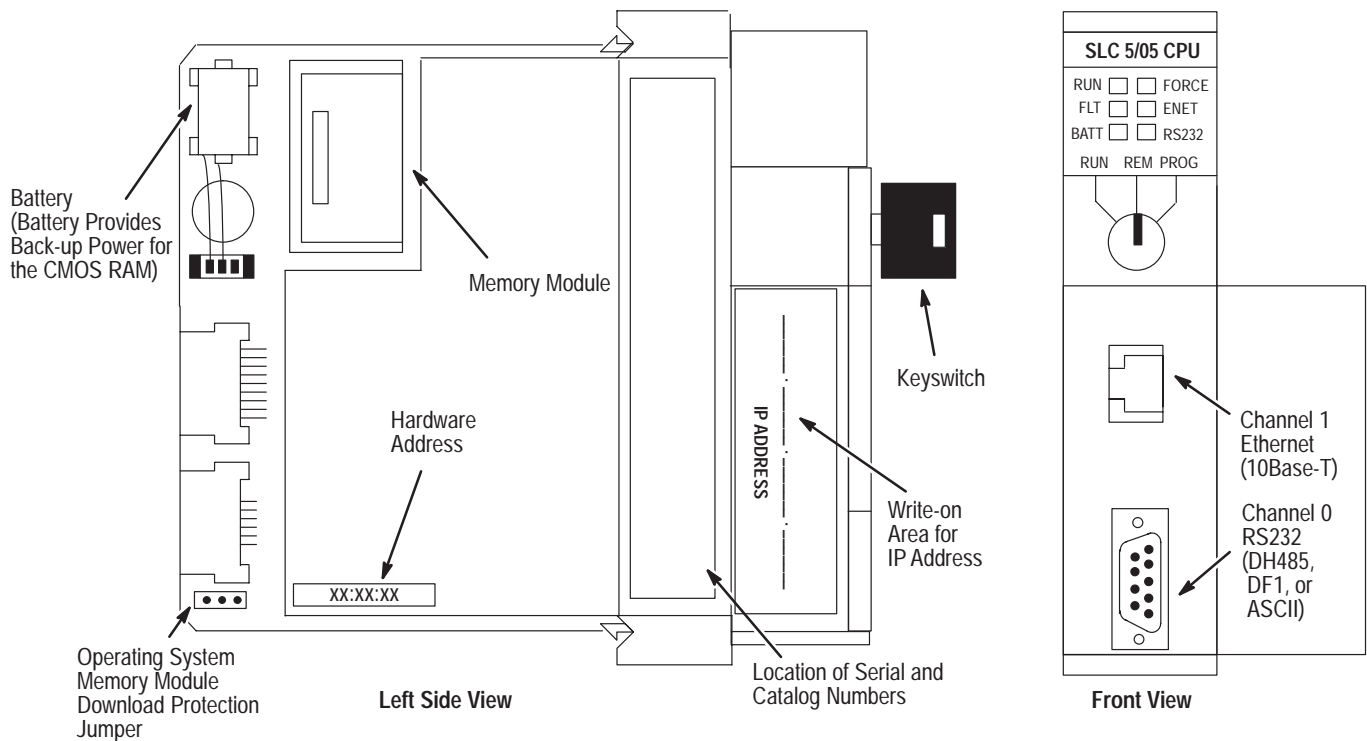
- size of Ethernet messages
- frequency of Ethernet messages
- network loading
- the implementation of and performance of your processor application program

**Optimal Performance: SLC 5/05 to SLC 5/05 Processor (2-node Ethernet network)**

Operation	Words	MSG per second	ms per MSG	Words per second
Single Typed reads	1	33	30.8	33
	20	32	31.1	640
	100	32	31.2	3200

### Hardware Features

The figure below shows some of the hardware components of the SLC 5/05 processors (1747-L551, 1747-L552, and 1747-L553).



## Processor Status LED Operation

The table below provides a general explanation of the processor status LEDs.

Processor LED	When It Is	Indicates that
RUN (Color: green)	On (steadily)	The processor is in Run mode.
	Flashing (during operation)	The processor is transferring a program from RAM to the memory module.
	Off	The processor is in a mode other than Run.
FLT (Color: red)	Flashing (at power up)	The processor has not been configured.
	Flashing (during operation)	The processor detects a major error either in the processor, expansion chassis, or memory.
	On (steadily)	A fatal error is present (no communications).
	Off	There are no errors.
BATT (Color: red)	On (steadily)	The battery voltage has fallen below a threshold level, or the battery or the battery jumper is missing or not connected.
	Off	The battery is functional, or the battery jumper is present.
FORCE (Color: amber)	Flashing	One or more input or output addresses have been forced to an On or Off state, but the forces have not been enabled.
	On (steadily)	The forces have been enabled.
	Off	No forces are present or enabled.
ENET Channel 1 (Color: green or red)	Solid Green	The Ethernet port is functioning properly and is connected to an active Ethernet network.
	Flashing Green	The Ethernet port is functioning properly, is connected to an active Ethernet network, and is transmitting packets.
	Flashing Red	A hardware or software fault has occurred and is being reported via a code. Contact Allen-Bradley Global Technical Services for assistance.
	Off	No Ethernet connection or port not configured.
RS232 Channel 0 (Color: green)	On (steadily) <i>DF1 Protocol</i>	The SLC 5/05 processor is transmitting.
	Off <i>DF1 Protocol</i>	The SLC 5/05 processor is <i>not</i> transmitting.
	On (steadily) <i>ASCII Mode</i>	The SLC 5/05 processor is transmitting.
	Off <i>ASCII Mode</i>	The SLC 5/05 processor is <i>not</i> transmitting.
	On (steadily) <i>DH485 Protocol</i>	The Channel 0 Communications Active Bit (S:33/4) is set in the System Status file, and the processor is actively communicating on the network.
	Flashing <i>DH485 Protocol</i>	The processor is trying to establish communications, but there are no other active nodes on the network.
	Off <i>DH485 Protocol</i>	A fatal error is present.

# Allen-Bradley Parts

## Keyswitch Operation

The processors include a 3-position keyswitch on the front panel that lets you choose from three modes of operation: Run, Program, and Remote. You can remove the key in any of the three positions.



**ATTENTION:** Depending on the size of your user program, the processor can take up to 2.5 seconds to change modes when you change the position of the keyswitch from RUN to PROG or to REM. Do not use the keyswitch in place of a hardwired master control relay or an emergency-stop switch.

---

### RUN Position

This position places the processor in the Run mode. The processor scans/executes the ladder program, monitors input devices, energizes output devices, and acts on enabled I/O forces. You can only change the processor mode by changing the key position. You cannot perform online program editing.

To change the mode to Run, turn the key from PROG or REM to RUN. *When the key is in the RUN position, you cannot use a programmer/operator interface device to change modes.*

### PROG Position

This position places the processor in the Program mode. The processor does *not* scan/execute the ladder program, and the controller outputs are de-energized. You can perform online program editing. You can only change the mode by changing the key position.

To change the processor mode to Program, turn the key from REM or RUN to PROG. *When the key is in the PROG position, you cannot use a programmer/operator interface device to change modes.*

### REM Position

This position places the processor in the Remote mode: either the REMote Run, REMote Program, or REMote Test mode. You can change the processor mode by changing the keyswitch position or by changing the mode from a programmer/operator interface device. You can perform online program editing in this position.

To change the mode to REM, turn the key from RUN or PROG to REM. *When the key is in the REM position, you can use a programmer/operator interface device to change modes.*

## Setting Up the SLC and PC Hardware

This chapter tells you:

- what tools and equipment you need
- how to install and wire your power supply
- how to install and apply power to your processor
- how to configure the SLC 5/05 processor to communicate on the Ethernet network

### Required Tools and Equipment

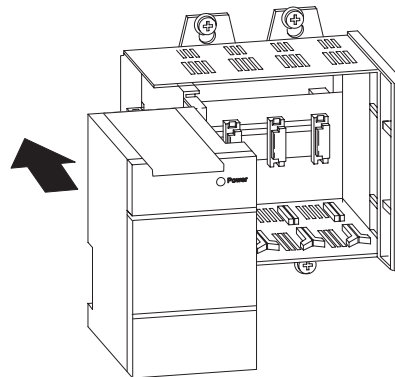
Have the following tools and equipment ready:

- a medium blade screwdriver
- programming equipment
- a 1747-CP3 programmer cable, a 10Base-T Ethernet PC card and a 10Base-T Ethernet hub

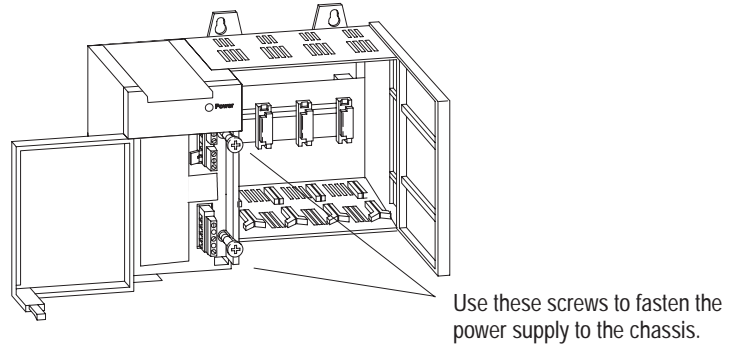
### Install the Power Supply

Follow the steps below:

1. Align the circuit board of the power supply with the card guides on the left side of the chassis, and slide the power supply in until it is flush with the chassis.



2. Fasten the power supply to the chassis.

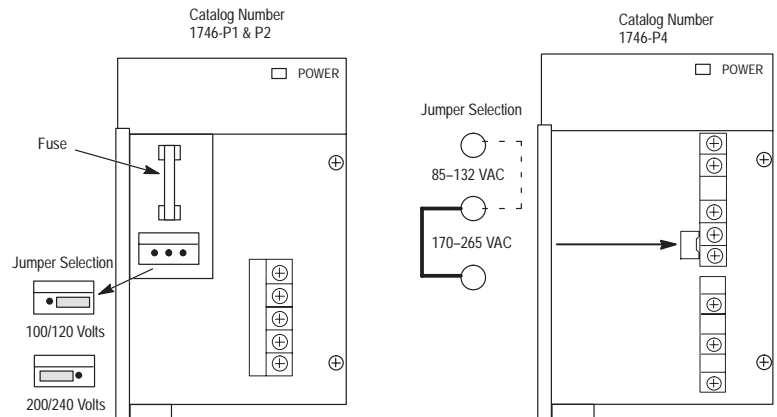


3. Make jumper selection for 120/240V ac on 1746-P1, 1746-P2, and 1746-P4 Power Supplies.

Place the input voltage jumper to match the input voltage. This does not apply to the 1746-P3 or 1746-P5, which do not have jumpers.



**ATTENTION:** Set the input jumper before applying power. Hazardous voltage is present on exposed pins when power is applied; contact with the pin may cause injury to personnel.

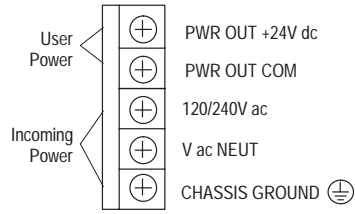


4. Wire power to power supply.

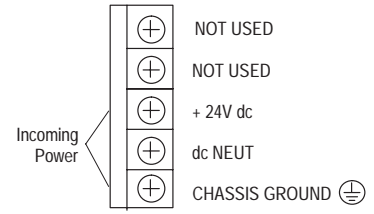


**ATTENTION:** Turn off incoming power before connecting wires; failure to do so could cause injury to personnel and/or equipment.

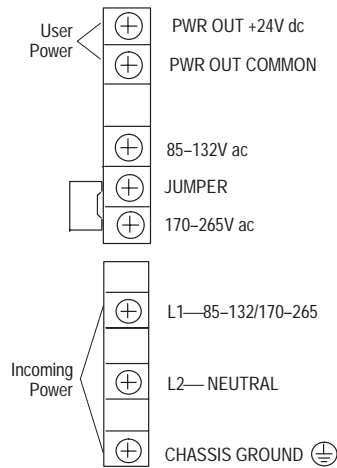
5. Connect incoming power, as shown in the following diagrams.



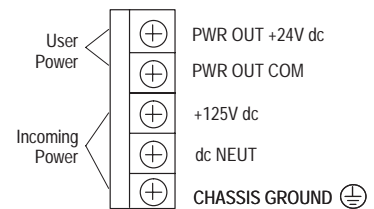
1746-P1 and -P2



1746-P3



1746-P4

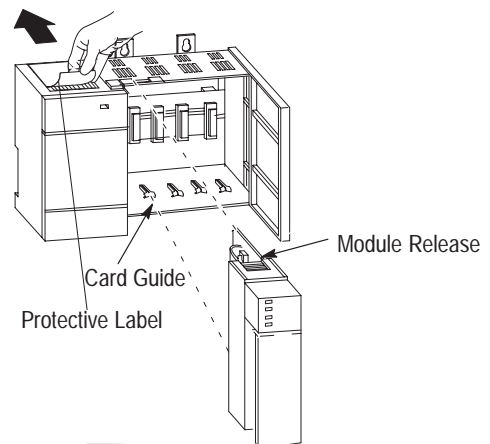


1746-P5

Install the Processor

Make sure system power is off; then insert the processor into the 1746 chassis.

**Important:** SLC 500 Modular Processors must be inserted into the left slot (slot 0), as shown below. Remove the protective label after installing the processor.

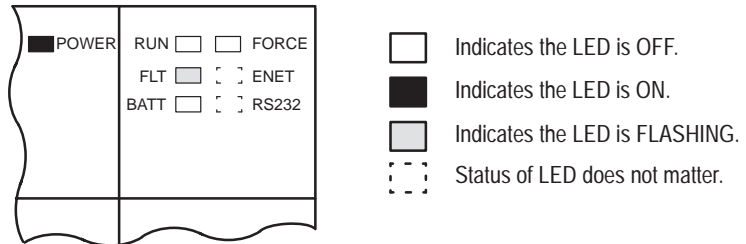


## Apply Power to the Processor

Follow the steps below:

1. Energize the chassis power supply.
2. Check the chassis power supply and processor LEDs. The power LED on the power supply should be on and the fault LED on the processor should be flashing.

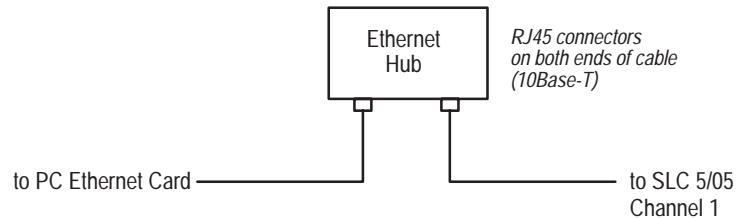
Power supply and LED Indicators



## Connect the SLC 5/05 and the PC to the Ethernet Network

The SLC 5/05 Ethernet connector conforms to ISO/IEC 8802-3 STD 802.3 and utilizes 10Base-T media. Connections are made directly from the SLC 5/05 to an Ethernet hub. Typical network topology is pictured below.

### Ethernet Network Topology



**Important:** The SLC 5/05 processor contains a 10Base-T, RJ45 Ethernet connector which connects to standard Ethernet hubs via 8-wire phone jack cable. To access other Ethernet mediums, use Ethernet hubs that can be connected together via fiber, thin-wire, or thick-wire coaxial cables, or any other physical media commercially available with Ethernet hubs. In addition, media converters are commercially available to convert 10Base-T to other Ethernet media.



## Ethernet Channel 1 8-Pin 10Base-T Connector

The Ethernet connector is an RJ45, 10Base-T connector. The pin-out for the connector is shown below:

Pin	Pin Name
1	TD+
2	TD-
3	RD+
4	not used by 10BASE-T
5	not used by 10BASE-T
6	RD-
7	not used by 10BASE-T
8	not used by 10BASE-T

When to use straight-through and cross-over pin-out:

- SLC 5/05 Ethernet port to 10Base-T Ethernet hub cables utilize a straight-through pin-out (1-1, 2-2, 3-3, 6-6).
- Direct point-to-point 10Base-T cables, with cross-over pin-out (1-3, 2-6, 3-1, 6-2), connect the SLC 5/05 Ethernet port directly to another SLC 5/05 Ethernet port (or a computer 10Base-T port).

## Cables

Shielded and non-shielded twisted-pair 10Base-T cables with RJ45 connectors are supported. The maximum cable length between an SLC 5/05 Ethernet port and a 10Base-T port on an Ethernet hub (without repeaters or fiber) is 100 meters (328 feet). However, in an industrial application, the cable length should be kept to a minimum.

## Load Your Programming Software

Install RSLogix500 programming software and RSLinx communication software. Refer to your software package's documentation for installation instructions. Be sure to use the version of the software listed below. Earlier versions of the software do not support the SLC 5/05 processor.

- RSLogix500 – Rev. 2.10.12 or later (OS500)  
– Rev. 2.51.0 or later (OS501)
- RSLinx – Rev. 1.70.62 or later

Contact Rockwell Software for information on upgrading your software.

# Allen-Bradley Parts



## Configuring the Ethernet Channel for Local Communication

This chapter:

- describes the configuration methods and configuration parameters
- explains how to configure the Ethernet channel using RSLogix Programming Software
- explains how to configure the Ethernet channel via BOOTP

### Configuration Methods

There are two ways to configure the SLC 5/05 Ethernet channel 1. The configuration can be done via a BOOTP request at processor powerup, or by manually setting the configuration parameters using RSLogix 500 Programming Software. The configuration parameters are shown below and the configuration procedures follow.

Parameter	Description	Default	Status
Diagnostic File Number	The file number, which states the channel status diagnostic counters for this channel. A Diagnostic File Number value of zero means that no diagnostics file was configured for this channel. The Diagnostic File Number must be an integer within the limits of 7, 9–255.	0	read/write
MSG Connection Timeout	The amount of time (in ms) allowed for a MSG instruction to establish a connection with the destination node. The MSG Connection Timeout has 250 ms resolution and a range from 250 to 65,500.	15,000 ms	read/write
MSG Reply Timeout	The amount of time (in ms) that the SLC 5/05 waits for a reply to a command it initiated via a MSG instruction. The MSG Reply Timeout has 250 ms resolution and a range from 250 to 65,500.	3,000 ms	read/write
Inactivity Timeout	The amount of time (in minutes) that a MSG connection may remain inactive before it is terminated. The Inactivity Timeout has a 1 minute resolution and a range from 1 to 65,500 minutes.	30 minutes	read/write
IP Address	The SLC 5/05 internet address (in network byte order). The internet address must be specified to connect to the TCP/IP network.	0 (undefined)	read/write
Subnet Mask	The SLC 5/05 subnet mask (in network byte order). The Subnet Mask is used to interpret IP addresses when the internet is divided into subnets. A Subnet Mask of all zeros indicates that no subnet mask has been configured.	0	read/write
Broadcast Address	NOT SUPPORTED AT THIS TIME. The SLC 5/05 broadcast address (in network byte order). The Broadcast Address is used in sending multicast messages. A Broadcast Address of all zeros indicates that no broadcast address was configured. In this case, the network code chooses a valid broadcast address when needed for that current subnet.	0	
Gateway Address	The address of a gateway (in network byte order) that provides connection to another IP network. A Gateway Address of all zeros indicates that no gateway was configured.	0	read/write
BOOTP Enable	The BOOTP enable switch. When BOOTP is enabled, the SLC 5/05 attempts to learn its network related parameters at powerup via a BOOTP request. There must be a BOOTP server on the network capable of responding to this BOOTP request. When BOOTP is disabled, the SLC 5/05 uses the locally configured network related parameters (IP Address, Subnet Mask, Broadcast Address, etc.).	1 (enabled)	read/write
Hardware Address	The SLC 5/05 Ethernet hardware address.	Ethernet hardware address	read only

Allen-Bradley Parts

## Configuration Using RSLogix500 Programming Software

The following step-by-step procedure shows how to set up the SLC 5/05 and establish local communication on an Ethernet network. You need to assign a unique IP address for your processor.

This procedure also shows how to create a ladder program for an SLC 5/05 processor and download it via the RS232 COM port on your computer to channel 0 (RS232) on the SLC 5/05. You can use the 1747-CP3 Programmer Cable to make the physical connection.

**Important:** For this configuration method, you must first download a program to the SLC 5/05 (via RS232) before you can establish Ethernet communications.

Finally, this procedure assumes that you have previous experience with SLC 500 processors and RSLogix500 programming software. If you do not, the following publications will help with the SLC 500 hardware and the instruction set. For the software (RSLogix500 and RSLinx), use the online HELP screens to guide you through developing a program and configuring channel 0 communication parameters.

- *SLC 500 and MicroLogix 1000 Instruction Set Reference Manual*, publication 1747-6.15.
- *SLC 500 Modular Hardware Style Installation and Operation Manual*, publication 1747-6.2.

### Define SLC 5/05 Processor and I/O Modules

1. Start RSLinx software.
2. When the RSLinx window appears, click on the “Communications” pull-down menu and select “Configure Drivers”.
3. In this step, you will configure RS232 driver.

In the “Configure Drivers” window, select “RS232 DF1 Devices” and click on the “Add New” box. The “Configure Allen-Bradley DF1 Communications Device” window appears.

Select the communications port you wish to use. This is the PC serial port COM1 through COM9.

Under Device Type, select “SLC-CH0” and “CRC error checking”.

If you have an RS232 cable connected between the selected COM port on your PC and channel 0 on your SLC 5/05, you can click on “Auto-configure” to define your interface parameters.

If you do not use “Auto-Configure”, you must enter the channel 0 default parameters as follows:

- Device Type: SLC-CH0
- Baud Rate: 19200
- Parity: None
- Error Checking: CRC
- Stop Bits: 1
- Protocol: Full Duplex

When finished, click “OK”. “AB\_DF1-1 DH485 Sta:0 COM $n$ : RUNNING” is added to the list of configured drivers (where  $n$  = the number of the COM port you selected).

Minimize the RSLinx window.

4. Start RSLogix500 programming software and create a new file.
  5. In the “Select Processor Type” window, choose the SLC 5/05 processor type:
    - 1747-L551, 16K memory
    - 1747-L552, 32K memory
    - 1747-L553, 64K memory
- Assign a name to the processor and click “OK”. A ladder programming screen appears showing only an END rung.
6. Using the list on the left side of the screen, double-click on “Controller Properties” under the “Controller” category (folder).
  7. In the “Controller Properties” window, click on the “Controller Communications” tab. In this window, select “AB\_DF-1” as the driver. Click “OK”.
  8. Using the list on the left side of the screen, double-click on “I/O Configuration” under the “Controller” category.
  9. In the “I/O Configuration” window, you can identify your SLC hardware (chassis and I/O modules) either manually or automatically.

**Note:** For automatic configuration, you need to have your SLC hardware installed and the programming cable (1747-CP3 or equivalent) connected between the SLC 5/05 channel 0 and the PC COM port.

#### **Manually –**

In the “I/O Configuration” window, select the chassis and I/O modules that you have. Close this screen (click the close button [x] in the upper right corner of the window).

**Automatically –**

In the “I/O Configuration” window, click on “Read I/O Config”. The “Read I/O Configuration from Online Processor” pop-up appears. Select “AB\_DF1-1” as the driver and click on the “Read I/O Config” button. Your chassis and I/O configuration updates automatically. Close this window.

10. Using the list on the left side of the screen, double-click on “Channel Configuration” under the “Controller” category.
11. In the Channel 1 section of the General tab, enter an unused file number, such as 9, in the “Diagnostic File” field. This allows the programming software to display Channel 1 status, which are the Ethernet communications diagnostic counters.
12. In the “Channel Configuration” window, click on the “Chan. 1 – System” tab. Deselect the “BOOTP Enable” option by clicking on the checked box. Enter your unique IP address in the space provided.

A subnet mask is used to interpret IP addresses when the internet is divided into subnets. If your network is not divided into subnets, then leave the “Subnet Mask” at the default. If you change the default and need to reset it, type 0 . 0 . 0 . 0.

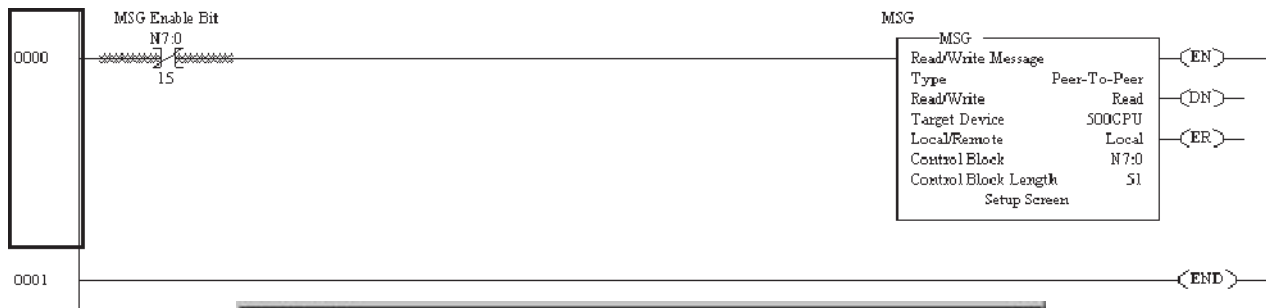
**Note:** The “Hardware Address” is filled in by the processor when you download this program to the SLC 5/05 processor.

After you have entered your IP address *and disabled the BOOTP option*, click “Apply” and then “OK”.

### Create Program and Configure Comms Drivers

1. You are now ready to create your ladder logic. An example is shown below. In this example, there are two SLC 5/05 processors. The MSG instruction from the first processor reads the seconds value of the Real Time Clock (S:42) from the second processor and constantly places the value in the first processor's file at N7:60. Add the MSG rung to the ladder.

**Note:** The control block length for Ethernet MSGs is 51 words (when not using Logical ASCII addressing).



2. In the “Message Setup” window, enter the MSG parameters and click “OK”. Then click on the “verify file” button at the top of the screen. Then save your program file.
3. With RSLogix500 still up and running, click on the RSLinx program previously minimized at the bottom of the screen.
4. When the RSLinx window appears, click on the “Communications” pull-down menu and select “Configure Drivers”.
5. In this step, you will configure the Ethernet driver.

**Note:** If you have not configured the RS232 DF1 Device, refer to the procedure “Define SLC 5/05 Processor and I/O Modules” on page 3-2 before configuring the Ethernet driver.

**Ethernet –**

In the “Configure Drivers” window, select “Ethernet to PLC-5 or 5820-EI” and click on the “Add New” box. The “Configure Ethernet-to-AB Communications” window appears.

Enter the IP address for your SLC 5/05 processor beginning with node 1 under “Current Mappings”. Use the “IP Address or hostname” box to enter the address and click “Accept”. After entering the IP address, click “OK”. “AB\_ETH-1 A-B Ethernet RUNNING” is added to the list of Configured Drivers.

Close the “Configure Drivers” window and minimize RSLinx as before.

**Download the Program**

1. In RSLogix, click on the “Comms” pull-down menu and select “System Comms”.
2. Be sure that you have connected your PC COM1 port to SLC 5/05 channel 0 (RS232 Programmer Cable 1747-CP3). In the RSLogix “System Options” window, verify that “AB\_DF1-1” driver is selected and click on “Download”.

Enter a version number when asked, click “OK”, and answer “yes” to any further pop-up windows that appear. Your program will be downloaded to the processor. When asked if you wish to go online, click “yes”.

3. Using the list on the left side of the screen, double-click on “Channel Configuration” under the “Controller” category. Select the “Chan.1 – System” tab to view the IP address you entered and the hardware Ethernet address assigned by the SLC 5/05 processor. Verify that this information is correct. Click on “Cancel”.
4. Go “OFFLINE”.



## Switch to the Ethernet Network and Go ONLINE

1. Connect your computer and your SLC 5/05 processor to any standard Ethernet hub. You need an Ethernet communication card to connect your PC to the Ethernet hub.
2. In RSLogix, click on the “Comms” pull-down menu and select “System Comms”. In the “System Options” window, change the “Driver” to “AB\_ETH-1” and “Apply”. Click on “Who Active”.
3. The “Who Active” window appears, showing your Ethernet node. Your computer will be “STA 63 AB\_ETH-1” with its assigned name. Your SLC 5/05 will be “STA 1” with its assigned name. Double-click on the “STA 1” icon. Then go on-line with your SLC 5/05 via Ethernet.
4. If you have a second SLC 5/05 processor, set it up following the same procedure as for the first SLC 5/05, but using its own unique IP address. Also assign this address to the next available STA address in RSLinx.
5. If you have two SLC 5/05 processors, and you have entered the one-rung MSG into both of them, you may put them both in the “RUN” mode and monitor N7:60 in either processor. The value of N7:60 should increment with each tick of the Real Time Clock in the other SLC 5/05 processor.

If you only have one SLC 5/05, you cannot send MSGs, but you are on-line with your processor via 10 Mbps Ethernet.

## Configuration Via BOOTP

BOOTP is a standard protocol that TCP/IP nodes use to obtain start-up information. By default, the SLC 5/05 broadcasts BOOTP requests at powerup. The BOOTP valid parameter remains clear until a BOOTP reply has been received. BOOTP lets you dynamically assign IP Addresses to processors on the Ethernet link.

To use BOOTP, a BOOTP server must exist on the local Ethernet subnet. The server is a computer that has BOOTP server software installed and reads a text file containing network information for individual nodes on the network.

The BOOTP request can be disabled by clearing the BOOTP Enable parameter in the channel Configuration File. When BOOTP Enable is cleared (disabled), the SLC 5/05 uses the existing channel configuration data.

**Important:** If BOOTP is disabled, or no BOOTP server exists on the network, you must use SLC 500 programming software to enter/change the IP address for each processor. See page 3-2 for that configuration procedure.

The host system's BOOTP configuration file must be updated to service requests from SLC 5/05 processors. The following parameters must be configurable:

Parameter	Description
IP Address	A unique IP Address for the SLC 5/05 processor.
Subnet Mask	Specifies the net and local subnet mask as per the standard on subnetting <i>RFC 950, Internet Standard Subnetting Procedure</i> .
Gateway	Specifies the IP address of a gateway on the same subnet as the SLC 5/05 that provides connections to another IP network.

**Note:** If you do not have BOOTP server capabilities on your network, and you want to dynamically configure Channel 1, you can download the utility from <http://supportbbs.ra.rockwell.com> or via modem at 440-646-5441.

When BOOTP is enabled, the following events occur at power-up:

- The processor broadcasts a BOOTP request message containing its hardware address over the local network or subnet.
- The BOOTP server compares the hardware address with the addresses in its look-up table in the BOOTPTAB file.
- The BOOTP server sends a message back to the processor with the IP address and other network information that corresponds to the hardware address it received.

With all hardware and IP addresses in one location, you can easily change IP addresses in the BOOTP configuration file if your network needs change.

### Using DOS/Windows BOOTP

Both the DOS-based and Windows-based BOOTP server utilities provide BOOTP services for SLC 5/05 processors. Regardless of the platform you are using, you must:

- install the boot-server utility
- edit the boot-server configuration file
- run the boot-server utility

**Important:** Do not use the BOOTP utility if you already have INTERCHANGE software installed. Instead, use the boot-server capabilities that came with your INTERCHANGE software.

### Install the DOS/Windows BOOTP server

To install the DOS BOOTP server:

1. Change the directory to the drive containing the BOOTP utility.
2. Type `install`, and press `[Enter]`.
3. The software is installed in `C:\ABIC\BIN`. Put this directory in the path statement of your `AUTOEXEC.BAT` file.

### Edit the DOS/Windows BOOTP Configuration File

The boot-server configuration file, `BOOTPTAB`, is located in the `C:\ABIC\BIN` directory. This file contains the information needed to boot SLC 5/05 processors.

You must edit the `BOOTPTAB` file, which is an ASCII text file, to include the name, IP address, and hardware address for each SLC 5/05 processor you want the server to boot. To edit this file:

1. Open the `BOOTPTAB` file using a text editor.

The file contains lines that look like this:

```
#Default string for each type of Ethernet client
defaults5E: ht=1:vm=rfc1048
```

These are the default parameters for SLC 5/05 processors and must always precede the client lines in the `BOOTPTAB` file.

The file also contains a line that looks like this:

```
plc5name: tc=defaults5E:ip=aa.bb.cc.dd:ha=0000BC1Cxyy
```

**Important:** Use this line as the configuration template for SLC 5/05 processors.

2. Make one copy of the SLC 5/05 processor template for every SLC 5/05 processor in your system.
3. Edit each copy of the template as follows:
  - A. Replace `plc5name` with the name of the SLC 5/05 processor. Use only letters and numbers; do not use underscores.
  - B. Replace `aa.bb.cc.dd` with the IP address to be assigned to the processor.

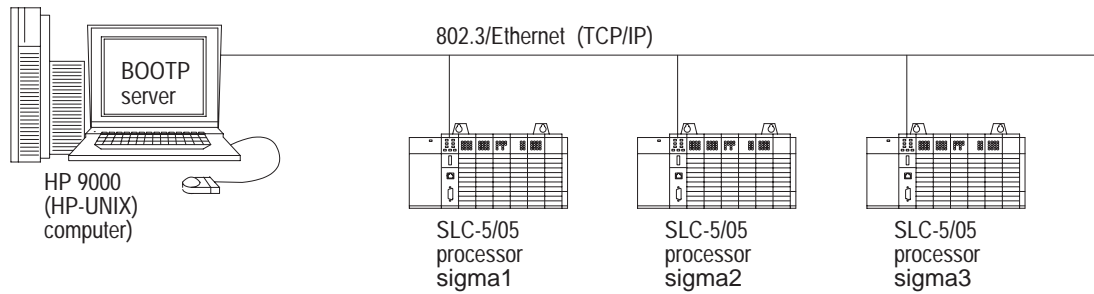
- C. Replace `xyyy` with the last four digits of the hardware address. Use only valid hexadecimal digits (0-9, A-F); do not use the hyphens that separate the numbers. (You will find the hardware address on a label affixed to the printed circuit board of the SLC 5/05 processor. **Note:** See page 1-2 for an illustration showing the location of the hardware address.)

4. Save, close, and make a backup copy of this file.

### Example

In this example, there are three SLC 5/05 processors and an HP 9000 programming terminal. The names and hardware addresses are device specific:

Device	Name	IP Address	Hardware Address
SLC 5/05	sigma1	12.34.56.1	00-00-BC-1D-12-34
SLC 5/05	sigma2	12.34.56.2	00-00-BC-1D-56-78
SLC 5/05	sigma3	12.34.56.3	00-00-BC-1D-90-12



Based on this configuration, the `BOOTPTAB` file looks like:

```
# Legend: gw -- gateways
#          ha -- hardware address
#          ht -- hardware type①
#          ip -- host IP address
#          sm -- subnet mask
#          vm -- BOOTP vendor extensions format②
#          tc -- template host

#Default string for each type of Ethernet client
defaults5E: ht=1:vm=rfc1048

#Entries for SLC 5/05 processors:
sigma1: tc=defaults5E:ip=12.34.56.1:ha=0000BC1D1234
sigma2: tc=defaults5E:ip=12.34.56.2:ha=0000BC1D5678
sigma3: tc=defaults5E:ip=12.34.56.3:ha=0000BC1D9012
```

<sup>①</sup> 1 = 10MB Ethernet

<sup>②</sup> Use rfc1048

## Run the Boot Server Utility

You can run either the DOS-based utility or the Windows-based BOOTP utility, but not both.

If you have BOOTP enabled and the message `BOOTP response not received` appears, check the cabling connections and the BOOTP server system.

If you're using this platform	then invoke this executable	from the	See page
DOS-based	DTLBOOTD.EXE	DOS command line (specify optional parameters if necessary)	3-11
Windows	DTLBOOTW.EXE	Windows Program Manager	3-12

Both utilities are located in the `C:\ABIC\BIN` directory and use the information contained in the `BOOTPTAB` file.

Be sure to place the `BOOTPTAB` file in the directory from which you are running the BOOTP utility. If this file is not found in that directory, the utility will try to find the file in the directory specified by the environment variable `ABIC_CONFIG`.

### Running the DOS-Based Utility

To run the boot-server utility, `DTLBOOTD.EXE`, follow these steps:

1. At the DOS prompt, type:

```
DTLBOOTD [-D] [-T <timeout>] [-B <numboots>]
[-F <numfiles>] [configfile] [logfile]
```

Parameter	Description
-D	provide additional information for debug purposes.
-T <timeout>	exit after <timeout> seconds of inactivity.
-B <numboots>	exit after answering <numboots> number of boot requests.
-F <numfiles>	exit after answering <numfiles> number of file requests.
configfile	name of the boot server configuration file to use. The default configuration file is <code>%ABIC_CONFIG%\BOOTPTAB</code> .
logfile	name of the log file to use. The default log file is <code>%ABIC_CONFIG%\DTLBOOTD.LOG</code> .

Once you invoke the utility, it runs until the specified exit parameter is satisfied. Exit any time by pressing **[Esc]**.

2. Apply power to all chassis containing SLC 5/05 processors.

At power-up, each SLC 5/05 processor broadcasts a BOOTP request if BOOTP was enabled at the channel 1 configuration screen. The Ethernet boot server compares the hardware address with those listed in `BOOTPTAB` and responds by sending the corresponding IP address and other configuration data to the client via a BOOTP reply.

### Running the Windows-Based Utility

To run the boot-server utility, `DTLBOOTW.EXE`, follow these steps:

1. Start Microsoft Windows<sup>®</sup>, if it is not already running.
2. Open the Program Manager window, if it is not already open.
3. Choose File on the menu bar and select Run from the menu.
4. In the dialog box, type `C:\ABIC\BIN\DTLBOOTW`; then choose "OK" or press **[Enter]**.

Once you invoke the utility, it will run until you terminate it by closing the `DTLBOOTW.EXE` window and exiting from Windows.

5. Apply power to all chassis containing and SLC 5/05 processors.

At power-up, each SLC 5/05 processor broadcasts a BOOTP request. The Ethernet boot server compares the hardware address with those listed in the `BOOTPTAB` file and responds by sending the corresponding IP address and other configuration data to the client via a BOOTP reply.

## Communicating on the Ethernet Network

This chapter:

- describes how Ethernet connections are established
- provides information on MSG instruction parameters, interpreting MSG error codes, and interpreting Ethernet status data
- explains how to use advanced Ethernet functions

### Ethernet Connections

TCP/IP is the mechanism used to transport Ethernet messages. On top of TCP, the Client/Server Protocol is required to establish connections and to send the MSG commands. Connections can be initiated by either a client program (INTERCHANGE or RSLinx application) or a processor.

The client program or processor must first establish a connection to the SLC 5/05 to enable the SLC 5/05 to *receive* messages from a client program or another processor. In order to send an outgoing message, the SLC 5/05 must first establish a connection with the destination node at a specified IP address on the Ethernet network. A connection is established when a MSG instruction executes and no previous connection to that particular Ethernet device exists.

When a MSG instruction executes, the SLC 5/05 checks to see whether a connection was established with the destination IP address. If a connection was not established, the SLC 5/05 attempts to establish a connection.

In order to receive messages from another device on Ethernet, an “incoming” connection must be established. This incoming connection is made by the sending processor and uses one incoming connection in the receiving processor.

The SLC 5/05 supports a maximum of 16 connections, allowing simultaneous communication with up to 16 other devices or applications. The connections are dedicated as follows:

Number of Connections	Dedicated to:
4	outgoing messages
4	incoming messages
8	either incoming or outgoing messages

**Important:** For outgoing connections, no more than one connection per destination IP address is established. If multiple MSG instructions use the same destination IP address, they share the same connection.

## MSG Instruction

The SLC 5/05 processors use the MSG instruction to communicate over the Ethernet network. The table below describes MSG instruction parameters for Ethernet.

Parameter	Value
Supported MSG Commands	485 CIF Read 485 CIF Write PLC5 Typed Read PLC5 Typed Write SLC 500 CPU Read SLC 500 CPU Write
Message Sizes (Channel 1)	256 elements maximum, with two exceptions: <ul style="list-style-type: none"> <li>• PLC5 Type MSG, Timer File – 201 elements maximum</li> <li>• All MSG Types, String File – 23 elements maximum</li> </ul>
Modifying Connections	The user may change a MSG instruction destination while the processor is in the RUN mode. If a MSG instruction's destination IP address changes, the next time the MSG instruction executes, a new connection is established with the new destination node. The old connection remains open as long as either another MSG instruction was sharing it, or the connection inactive timer has not expired.

### Limitation for Manipulating the Control Block Bits

Do not manipulate the MSG instruction control block values except as noted below. For example, do not clear the first word of the control block, do not unlatch the time-out control bit, and so on.

The only MSG instruction control bits that may be manipulated by the ladder program without adversely affecting the operation of the instruction are the CO, EN, and TO bits. The enable bit (EN = bit 15) may be unlatched, but only when the done bit (DN = bit 13) or error bit (ER = bit 12) has been set, indicating the successful or unsuccessful completion of the previous message.

In addition, when a MSG is in progress and the ladder program wishes to terminate it for any reason, this may be done by enabling the time-out bit (TO = bit 8). The next time the processor scans the MSG instruction with the TO bit set, it will error the MSG (ER = 1). The MSG instruction may then be re-enabled with a false-to-true transition on the next program scan.



## Control Block Layouts

The SLC 5/05 MSG control block length varies with the type of communication and with the addressing you use. Control block layouts are shown for:

- SLC 5/05 Channel 1 (Ethernet port)  
MSG Control Block without Logical ASCII Addressing
- SLC 5/05 Channel 1 (Ethernet port)  
MSG Control Block with Logical ASCII Addressing  
*valid for PLC-5 typed read or write only*

**The AO bit (word 12, bit 15)** is used for PLC-5 type reads and writes. If AO bit is reset to 0, then logical binary addressing is used for PLC-5 type reads and writes. If AO is set to 1, then logical ASCII addressing is selected; in this case the processor expects the ASCII address string information to be stored in words 14 to 55 of the MSG control block (see control block layout on page 4-5). The AO bit has no meaning for 485CIF and 500CPU types of reads and writes.

## MSG Instruction Control Block

The following are MSG control blocks, without and with logical ASCII addressing. The length of the control block without logical ASCII addressing is 51 words. With logical ASCII addressing, the length of the control block is 93 words.

SLC 5/05 Channel 1 (Ethernet port)																
MSG Control Block <i>without</i> Logical ASCII Addressing																
WORD	15	14	13	12	11	10	09	08	07	06	05	04	03	02	01	00
0	EN	ST	DN	ER	CO	EW	NR	TO	Error Code							
1	Reserved (Target Node Not Used)															
2	Number of Elements															
3	Not Used															
4	File Type (based on <b>local</b> source or destination address)															
5	Not Used															
6	Not Used															
7	Reserved (Internal Messaging Bits)															
8	Message Timer Preset															
9	Message Timer Scaled Zero															
10	Message Timer Accumulator															
11	Data Length in Bytes															
12	AO=0	Reserved (Internal Messaging Bits)							Reserved							
13	Reserved															
14	First Byte of IP Address String <sup>①</sup>								Second Byte of IP Address String							
15	Third Byte of IP Address String								...							
	...								...							
	...								...							
34	Forty-First Byte of IP Address String								NULL Byte of Longest IP Address String							
35	Reserved								Reserved (Ethernet Message Type); must be 0							
36-50	Reserved for Future Use															

<sup>①</sup> The IP Address string format is up to 42 ASCII characters including a terminating NULL character. The first byte in the array is the left-most character in the string as written. For example: If the IP Address is 423.156.78.012, the first byte is the ASCII character "4". If the MSG destination is an INTERCHANGE client on a host computer, the destination is specified as "client" and stored as a NULL terminated string.

SLC 5/05 Channel 1 (Ethernet port) MSG Control Block <i>with</i> Logical ASCII Addressing <i>valid for PLC-5 typed read or write only</i>																
WORD	15	14	13	12	11	10	09	08	07	06	05	04	03	02	01	00
0	EN	ST	DN	ER	CO	EW	NR	TO	Error Code							
1	Reserved (Target Node Not Used)															
2	Number of Elements															
3	Not Used															
4	File Type (based on <b>local</b> source or destination address)															
5	Not Used															
6	Not Used															
7	Reserved (Internal Messaging Bits)															
8	Message Timer Preset															
9	Message Timer Scaled Zero															
10	Message Timer Accumulator															
11	Data Length in Bytes															
12	AO=1	Reserved (Internal Messaging Bits)						Reserved								
13	Reserved															
14	Logical ASCII Address String Length including NULL Termination Character (bytes)															
15	First Byte of ASCII Address String								Second Byte of ASCII Address String							
16	Third Byte of ASCII Address String								...							
	...								...							
	...								...							
55	Eighty-First Byte of ASCII Address String								NULL Byte of Longest ASCII Address String							
56	First Byte of IP Address String <sup>①</sup>								Second Byte of IP Address String							
57	Third Byte of IP Address String								...							
	...								...							
	...								...							
76	Forty-First Byte of IP Address String								NULL Byte of Longest IP Address String							
77	Reserved								Reserved (Ethernet Message Type); must be 0							
78-92	Reserved for Future Use															

<sup>①</sup> The IP Address string format is up to 42 ASCII characters including a terminating NULL character. The first byte in the array is the left-most character in the string as written. For example: If the IP Address is 423.156.78.012, the first byte is the ASCII character "4". If the MSG destination is an INTERCHANGE client on a host computer, the destination is specified as "client" and stored as a NULL terminated string.

## Interpreting MSG Error Codes

When the processor detects an error during the transfer of message data, the processor sets the .ER bit and enters an error code that you can monitor from your programming software.

Error Code	Description of Error Condition
02H	Target node is busy. The MSG instruction automatically reloads. If other messages are waiting, the message is placed at the bottom of the stack.
03H	Target node cannot respond because message is too large.
04H	Target node cannot respond because it does not understand the command parameters OR the control block was inadvertently modified.
05H	Local processor is offline (possible duplicate node situation).
06H	Target node cannot respond because requested function is not available.
07H	Target node does not respond.
08H	Target node cannot respond.
09H	Local modem connection was lost.
0AH	Buffer unavailable to receive SRD reply.
0BH	Target node does not accept this type of MSG instruction.
0CH	Received a master link reset (one possible source is from the DF1 master).
10H	Target node cannot respond because of incorrect command parameters or unsupported command.
11H	Local file has constant file protection.
12H	Local channel configuration protocol error exists.
13H	Local MSG configuration error in the Remote MSG parameters.
15H	Local channel configuration parameter error exists.
16H	Target or Local Bridge address is higher than the maximum node address.
17H	Local service is not supported.
18H	Broadcast (Node Address 255) is not supported.
19H	Improperly formatted Logical ASCII Address string. String not properly terminated with a NULL character, or the string length does not match the value in the length parameter.
20H	PCCC Description: Host has a problem and will not communicate.
30H	PCCC Description: Remote station host is not there, disconnected, or shutdown.
37H	Message timed out in local processor.
38H	Message disabled pending link response.
40H	PCCC Description: Host could not complete function due to hardware fault.
50H	Target node is out of memory.
60H	Target node cannot respond because file is protected.
70H	PCCC Description: Processor is in Program Mode.
80H	PCCC Description: Compatibility mode file missing or communication zone problem.
90H	PCCC Description: Remote station cannot buffer command.
B0H	PCCC Description: Remote station problem due to download.
C0H	PCCC Description: Cannot execute command due to active IPBs.
D0H	No IP address configured for the network, -or- Bad command - unsolicited message error, -or- Bad address - unsolicited message error, -or- No privilege - unsolicited message error
D1H	Maximum connections used - no connections available.
D2H	Invalid internet address or host name.
D3H	No such host / cannot communicate with the name server.

Error Code	Description of Error Condition
D4H	Connection not completed before user-specified timeout
D5H	Connection timed out by the network
D7H	Connection refused by destination host
D8H	Connection was broken
D9H	Reply not received before user-specified timeout
DAH	No network buffer space available
E1H	PCCC Description: Illegal Address format, a field has an illegal value.
E2H	PCCC Description: Illegal Address format, not enough fields specified.
E3H	PCCC Description: Illegal Address format, too many fields specified.
E4H	PCCC Description: Illegal Address, symbol not found.
E5H	PCCC Description: Illegal Address format, symbol is 0 or greater than the maximum number of characters supported by this device.
E6H	PCCC Description: Illegal Address, address does not exist, or does not point to something usable by this command.
E7H	Target node cannot respond because length requested is too large.
E8H	PCCC Description: Cannot complete request, situation changed (file size, for example) during multi-packet operation.
E9H	PCCC Description: Data or file is too large. Memory unavailable.
EAH	PCCC Description: Request is too large; transaction size plus word address is too large.
EBH	Target node cannot respond because target node denies access.
ECH	Target node cannot respond because requested function is currently unavailable.
EDH	PCCC Description: Resource is already available; condition already exists.
EEH	PCCC Description: Command cannot be executed.
EFH	PCCC Description: Overflow; histogram overflow.
F0H	PCCC Description: No access
F1H	Local processor detects illegal target file type.
F2H	PCCC Description: Invalid parameter; invalid data in search or command block.
F3H	PCCC Description: Address reference exists to deleted area.
F4H	PCCC Description: Command execution failure for unknown reason; PLC-3 histogram overflow.
F5H	PCCC Description: Data conversion error.
F6H	PCCC Description: The scanner is not able to communicate with a 1771 rack adapter. This could be due to the scanner not scanning, the selected adapter not being scanned, the adapter not responding, or an invalid request of a "DCM BT (block transfer)".
F7H	PCCC Description: The adapter is not able to communicate with a module.
F8H	PCCC Description: The 1771 module response was not valid – size, checksum, etc.
F9H	PCCC Description: Duplicated Label.
FAH	Target node cannot respond because another node is file owner (has sole file access).
FBH	Target node cannot respond because another node is program owner (has sole access to all files).
FCH	PCCC Description: Disk file is write-protected or otherwise inaccessible (off-line only).
FDH	PCCC Description: Disk file is being used by another application; update not performed (off-line only).
FFH	Local communication channel is shut down.

**Note:** For 1770–6.5.16 DF1 Protocol and Command Set Reference Manual Users:  
 The MSG error code reflects the STS field of the reply to your MSG instruction.  
 Codes E0–EF represent EXT STS codes 0–F.  
 Codes F0–FD represent EXT STS codes 10–1D.

Allen-Bradley Parts

## Interpreting Ethernet Status Data

Monitor the status of SLC 5/05 processors by accessing the Ethernet channel 1 status screen of your programming software.

**Channel Status**

Channel 0 Channel 1

Ethernet Status

General Commands Replies

In Octets = <input type="text" value="0"/>	MAC Receive Errors = <input type="text" value="0"/>
Out Octets = <input type="text" value="0"/>	MAC Transmit Errors = <input type="text" value="0"/>
In Packets = <input type="text" value="0"/>	Single Collisions = <input type="text" value="0"/>
Out Packets = <input type="text" value="0"/>	Multiple Collisions = <input type="text" value="0"/>
Excessive Collisions = <input type="text" value="0"/>	Deferred Transmission = <input type="text" value="0"/>
Excessive Deferrals = <input type="text" value="0"/>	Late Collisions = <input type="text" value="0"/>
Alignment Errors = <input type="text" value="0"/>	Carrier Sense Errors = <input type="text" value="0"/>
FCS Errors = <input type="text" value="0"/>	

**Channel Status**

Channel 0 Channel 1

Ethernet Status

General Commands Replies

Sent = <input type="text" value="0"/>
Received = <input type="text" value="0"/>

**Channel Status**

Channel 0 Channel 1

Ethernet Status

General Commands Replies

Sent = <input type="text" value="0"/>
Received = <input type="text" value="0"/>
Sent with error = <input type="text" value="0"/>
Received with error = <input type="text" value="0"/>
Timed Out = <input type="text" value="0"/>

The diagnostic counter data displayed is stored in the diagnostic file defined on the Ethernet channel 1 configuration screen.

<b>Status field:</b>	<b>Bytes:</b>	<b>Displays the number of:</b>	
Commands	sent	0-3	Commands sent by the channel.
	received	4-7	Commands received by the channel.
Replies	sent	8-11	Replies sent by the channel.
	received	12-15	Replies received by the channel.
	sent with error	16-19	Replies containing errors sent by the channel.
	received with error	20-23	Replies containing errors received by the channel.
	timed out	24-27	Replies not received within the specified timeout period.
Ethernet	In Octets	28-31	Octets received on the channel.
	Out Octets	32-35	Octets sent on the channel.
	In Packets	36-39	Packets received on the channel, including broadcast packets.
	Out Packets	40-43	Packets sent on the channel, including broadcast packets.
	alignment errors	44-47	Frames received on the channel that are not an integral number of octets in length.
	FCS errors	48-51	Frames received on the channel that do not pass the FCS check.
	carrier sense errors	52-55	Times that the carrier sense condition was lost or never asserted while trying to transmit a frame.
	excessive collisions	56-59	Frames for which a transmission fails due to excessive collisions.
	excessive deferrals	60-63	Frames for which transmission is deferred for an excessive period of time.
	MAC receive errors	64-67	Frames for which reception on an interface fails due to internal MAC sublayer receive error.
	MAC transmit errors	68-71	Frames for which reception on an interface fails due to internal MAC sublayer transmit error.
	single collisions	72-75	Successfully transmitted frames for which transmission was delayed because of collision.
	multiple collisions	76-79	Successfully transmitted frames for which transmission was delayed more than once because of collision.
	deferred transmission	80-83	Frames for which the first transmission attempt is delayed because the medium is busy.
late collisions	84-87	Times that a collision is detected later than 512 bit-times into the transmission of a packet.	

## Using Subnet Masks and Gateways

Configure subnet masks and gateways using the Ethernet channel 1 configuration screen:

**Important:** If BOOTP is enabled, you can't change any of the advanced Ethernet communications characteristics.

If your network is divided into subnetworks that use gateways or routers, you must indicate the following information when configuring channel 1:

- subnet mask
- gateway address

A *subnet mask* is a filter that a node applies to IP addresses to determine if an address is on the local subnet or on another subnet. If an address is located on another subnetwork, messages are routed through a local gateway to be transferred to the destination subnetwork.

If your network is not divided into subnets, then leave the subnet mask field at the default.

If you are	Then	See page
manually configuring channel 1 and have a network with subnets	<ul style="list-style-type: none"> <li>• be sure the BOOTP enable field is disabled</li> <li>• use your programming software to enter the subnet mask and gateway address.</li> </ul>	4-11
using BOOTP to configure channel 1 and have a network with subnets	<ul style="list-style-type: none"> <li>• be sure BOOTP is enabled</li> <li>• configure the <code>BOOTPTAB</code> file to include the subnet mask(s) and gateway address(es)</li> </ul>	4-12



## Manually Configuring Channel 1 for Processors on Subnets

If you are manually configuring channel 1 for a processor located on a subnet, deselect the “BOOTP Enable” option by clicking on the checked box.

The screenshot shows the 'Channel Configuration' dialog box with the following settings:

- Driver: Ethernet
- Broadcast Address: 0.0.0.0
- Hardware Address: 00:00:00:00:00:00
- IP Address: 130.151.97.49
- Subnet Mask: 0.0.0.0
- Gateway Address: 0.0.0.0
- Bootp Enable
- Msg Connection Timeout (x 1mS): 15000
- Msg Reply Timeout (x mS): 3000
- Inactivity Timeout (x Min): 30
- Contact: (empty field)
- Location: (empty field)

See the table below to configure the subnet mask and gateway address fields for each processor via your programming software.

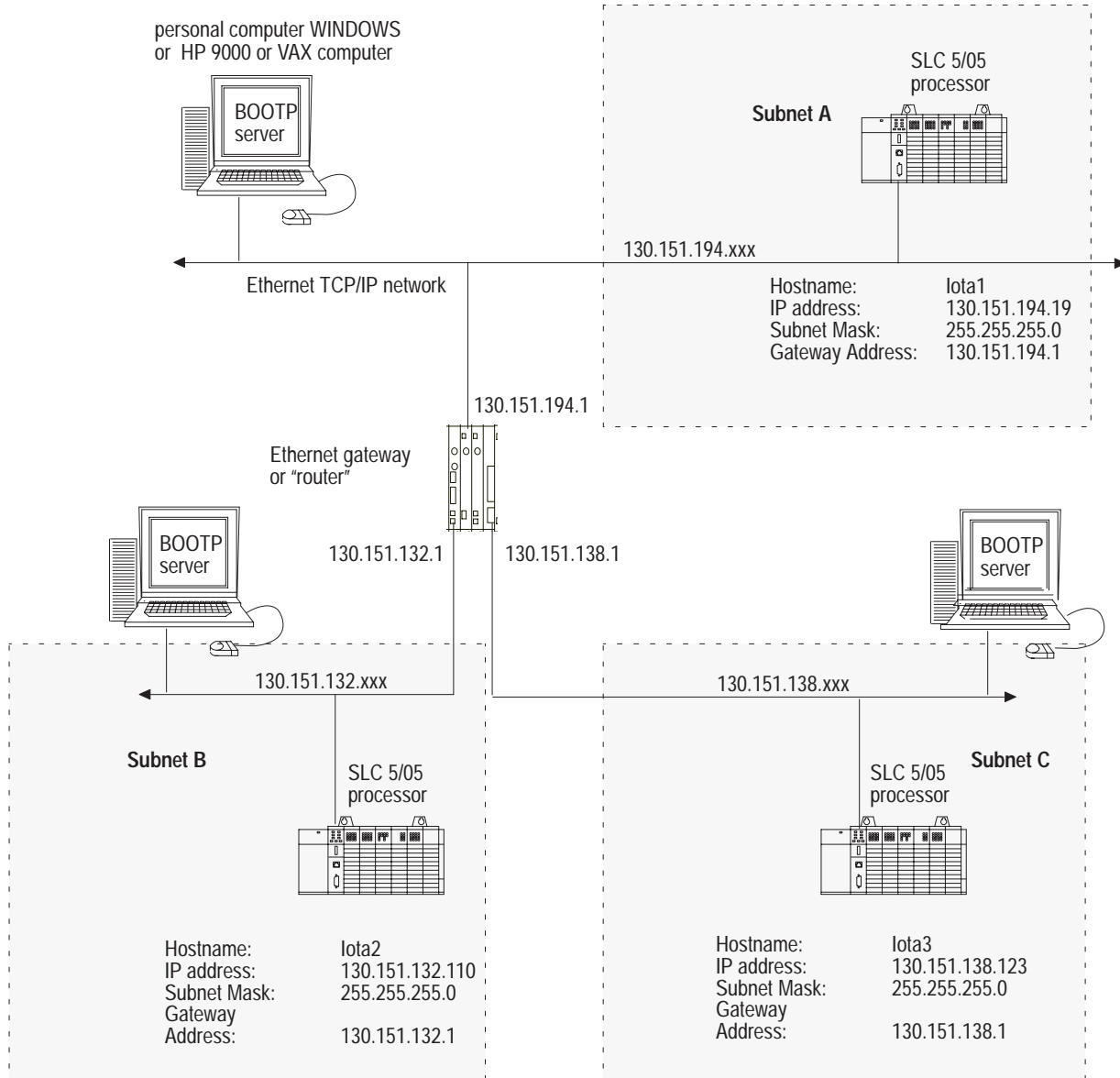
### Ethernet Channel 1 Configuration Screen Advanced Functions

This field:	Specifies:	Configure by doing the following:
Subnet Mask	The processor's subnet mask. The subnet mask is used to interpret IP addresses when the internet is divided into subnets.	Enter an address of the following form: a.b.c.d Where: a, b, c, d are numbers between 0-255 (decimal) If your network is not divided into subnets, then leave the subnet mask field at the default. If you change the default and need to reset it, type 0.0.0.0.
Gateway Address	The IP address of the gateway that provides a connection to another IP network. This field is required when you communicate with other devices not on a local subnet.	Enter an address of the following form: a.b.c.d Where: a, b, c, d are numbers between 0-255 (decimal) The default address is No Gateway.

### Using BOOTP to Configure Channel 1 for Processors on Subnets

Configure the BOOTPTAB file according to the subnet mask and gateway address for each SLC 5/05 processor on the link. See the example below and the corresponding BOOTPTAB file on the next page.

**Important:** Because BOOTP requests are seen only on the local subnet, each subnet needs its own BOOTP server and BOOTPTAB file.



The BOOTPTAB files that correspond to this example look like:

---

```
# Legend:  gw -- gateways
#          ha -- hardware address
#          ht -- hardware type
#          ip -- host IP address
#          sm -- subnet mask
#          vm -- BOOTP vendor extensions format
#          tc -- template host

#Default string for each type of Ethernet client
defaults5E: ht=1:vm=rfc1048:sm=255.255.255.0

#Entries for SLC 5/05 processors:
iota1:\
    tc=defaults5E:\
    gw=130.151.194.1:\
    ha=0000BC1D1234:/
    ip=130.151.194.19
```

---

```
# Legend:  gw -- gateways
#          ha -- hardware address
#          ht -- hardware type
#          ip -- host IP address
#          sm -- subnet mask
#          vm -- BOOTP vendor extensions format
#          tc -- template host

#Default string for each type of Ethernet client
defaults5E: ht=1:vm=rfc1048:sm=255.255.255.0

#Entries for SLC 5/05 processors:
iota2:\
    tc=defaults5E:\
    gw=130.151.132.1:\
    ha=0000BC1D5678:/
    ip=130.151.132.110
```

---

```
# Legend:  gw -- gateways
#          ha -- hardware address
#          ht -- hardware type
#          ip -- host IP address
#          sm -- subnet mask
#          vm -- BOOTP vendor extensions format
#          tc -- template host

#Default string for each type of Ethernet client
defaults5E: ht=1:vm=rfc1048:sm=255.255.255.0

#Entries for SLC 5/05 processors:
iota3:\
    tc=defaults5E:\
    gw=130.151.138.1:\
    ha=0000BC1D9012:/
    ip=130.151.138.123
```

---



## Using RS232-to-Ethernet<sup>®</sup> Channel-to-Channel Passthru

This chapter contains information about the new passthru feature on SLC 5/05 (1747-OS501, FRN 3) processors, including:

- Updated status file information
- Error code information
- An example of DF1-to-Ethernet and Ethernet-to-DF1 routing
- An example of DH485-to-Ethernet and Ethernet-to-DH485 routing

### Passthru Feature

This feature permits an SLC 5/05 processor to act as a bridge, allowing communication data packets to be passed between the RS232 serial port (Channel 0) and the Ethernet port (Channel 1).

This RS232-to-Ethernet bridge operates only when the RS232 serial port is configured for DF1 full-duplex communication or DH485 communication.

A maximum of 128 Ethernet devices may be accessed using the passthru feature.

**Important:** For 1747-OS501 support, use RSLogix Rev. 2.51.0 or higher, and RSLinx Rev. 1.70.62 or higher.

### Address Routing Table

To enable passthru of data packets between the RS232 port and the Ethernet port, the SLC 5/05 processor uses a routing table to cross-reference the one-byte addressing used by DF1 and DH485 protocols with the four-byte IP address needed to support Ethernet communication. The routing table is stored in a user-selectable integer file and uses two word elements of the integer file to store one IP address. The routing table file number must be between 9 and 255. The routing table must be at least two words in length.

## Status File Bits

Two status file bits control whether or not the passthru function is enabled. Their SLC 5/05 functions are described in the table below.

Address	Classification	Description
S:34/0	Dynamic Configuration	<p><b>DH485 to Ethernet Passthru Disable Bit (SLC 5/05, OS501 or later)</b></p> <p>When this bit is set, passthru is disabled. When it is reset, the processor allows packets to be passed from one channel to the other. Channel 0 must be configured for DH485 protocol. Only packets that contain the internet network layer remote MSG packets are passed.</p> <p>The default is reset.</p>
S:34/5	Dynamic Configuration	<p><b>DF1 to Ethernet Passthru Enable Bit (SLC 5/05, OS501 or later)</b></p> <p>When this bit is set, passthru is enabled. Channel 0 must be configured for DF1 full-duplex protocol. Only Ethernet packets that contain the internet network layer remote MSG packets are passed from channel 1 to channel 0. Only DF1 packets whose destination address (DST) is a valid number (1-128) corresponding to a valid IP address in the routing table are passed from channel 0 to channel 1. DF1 packets with a destination address equal to 0 are processed locally.</p> <p>The default is reset.</p>

## MSG Error Code

When the processor detects an error during the passage of message data, it generates the error code 20H “Host has a problem and cannot communicate”. The cause of the problem could be any of the following:

- The routing table integer file number is out of range (9 to 255).
- The routing table file does not exist in the user program directory or is less than 2 word elements in length.
- The IP Address entry in the routing table does not exist or is all zeros.

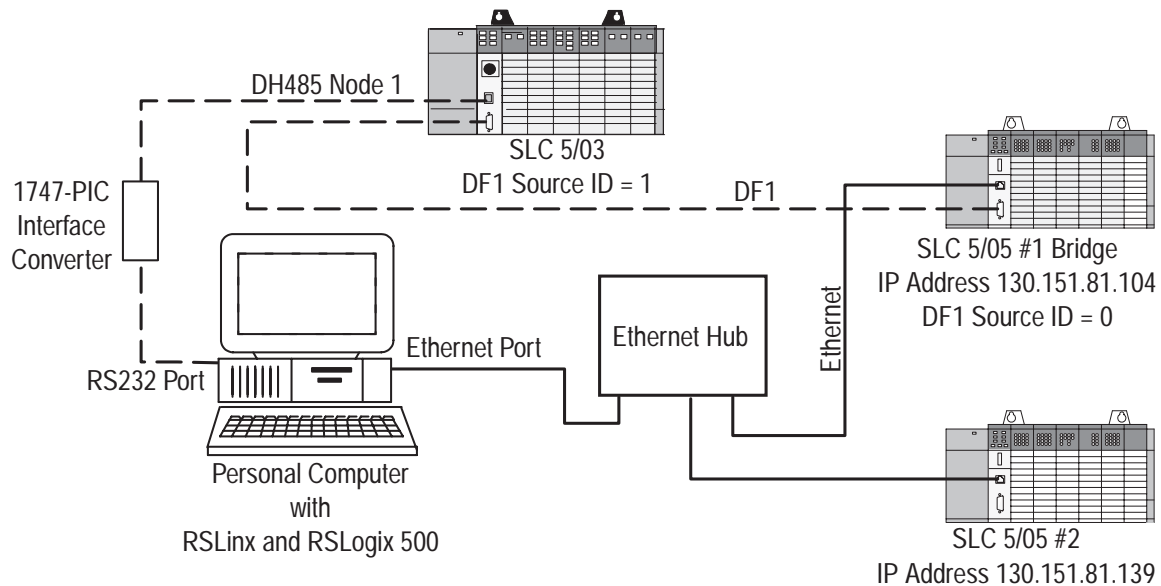
## Passthru Examples

The IP Addresses used in the following illustrations are for example purposes only. Contact your system administrator for IP addresses unique to your network.

### Example 1: DF1-to-Ethernet and Ethernet-to-DF1

In the following diagram, the SLC 5/03 sends a local message via DF1 to the SLC 5/05 #1. The SLC 5/05 #1 acts as a bridge, sending the message out via Ethernet to the SLC 5/05 #2, whose address is stored in the routing table. SLC 5/05 #2 can also initiate a message via Ethernet to the SLC5/03 processor through SLC 5/05 #1. The SLC 5/05 #1 routes the message to SLC 5/03 via DF1.

**Important:** In the SLC 5/05 #1 bridge, Status File Bit S:34/5 must be set to 1 to enable DF1-to-Ethernet passthru. Set Status File Bit S:34/0 to 1 to disable DH485-to-Ethernet passthru.

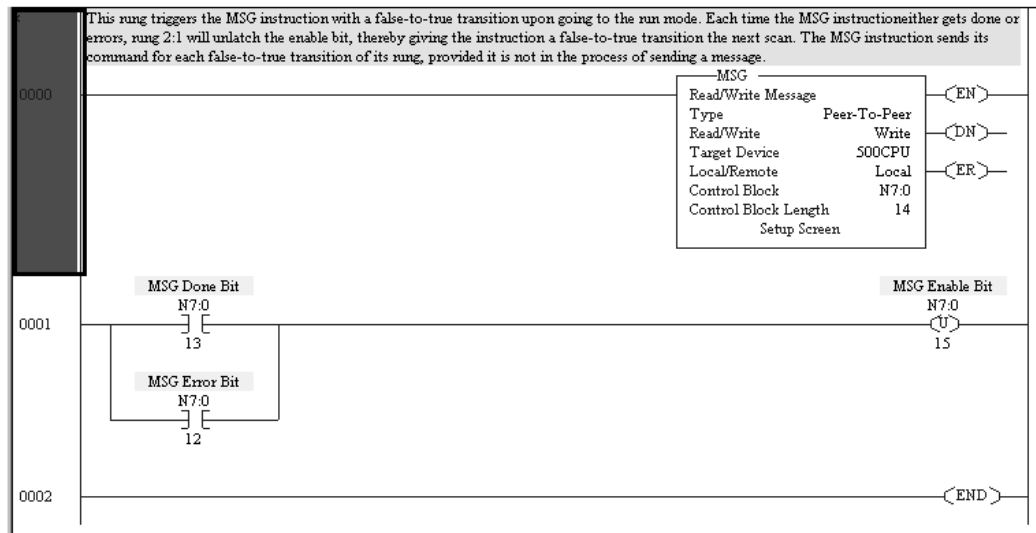


# Allen-Bradley Parts

## SLC 5/03 Using DF1

The message ladder logic, message setup, and channel configurations for the SLC 5/03 using DF1 are shown below.

### SLC 5/03 Message Ladder Logic



### SLC 5/03 Message Setup

Message Setup	
General	
Type:	Peer-To-Peer
Read/Write:	Write
Target Device:	500CPU
Local/Remote:	Local
Control Block:	N7:0
Channel:	0
Target Node (decimal):	3 (3 Octal)
Our Source File Address:	N10:0
Targets Destination File:	N10:0
Message Length in Elements:	10
Message Timeout (Seconds):	30
Control Bits	
Ignore if timed out (TO):	0
To be retired (NR):	0
Awaiting Execution (EW):	0
Continuous Run (CO):	0
Error (ER):	0
Message done (DN):	0
Message Transmitting (ST):	0
Message Enabled (EN):	0
Waiting for queue space:	0
Control Address:	N7:0
Error	
Error Code(Hex):	0
Error Description:	

- **Channel** is set to zero for DF1 full-duplex protocol.
- **Target Node** is the station address in the SLC 5/05 #1 routing table where the IP address for SLC 5/05 #2 is stored.
- The **Message Timeout** must be at least as long as the SLC 5/05 timeout for Ethernet connection. The SLC 5/05 default timeout is 23 seconds.



## SLC 5/03 Channel Configurations

- **Channel 0 Driver** is set to DF1 Full Duplex.
- **Source ID** is the address of the sender of the message. It can be any number from 0 to 254.

## SLC 5/05 #1 Bridge

Ladder logic is not required for the SLC 5/05 which acts as the bridge from DF1-to-Ethernet. However, you must set up a passthru routing table when configuring the bridge. The channel configuration is shown below, followed by the routing table on page 5-7.

## SLC 5/05 #1 Bridge Channel Configuration

Allen-Bradley Parts

**Channel Configuration**

General | Chan. 1 - System | Chan. 0 - System | Chan. 0 - User

Driver: Ethernet

Broadcast Address: 0.0.0.0

Hardware Address: 00:00:BC:1D:01:C2

IP Address: 130.151.81.104

Subnet Mask: 0.0.0.0

Gateway Address: 0.0.0.0

Bootp Enable

Msg Connection Timeout (x 1mS): 15000

Msg Reply Timeout (x 1mS): 3000

Inactivity Timeout (x Min): 30

Contact: \_\_\_\_\_

Location: \_\_\_\_\_

**Channel Configuration**

General | Chan. 1 - System | Chan. 0 - System | Chan. 0 - User

Driver: DF1 Full Duplex

Baud: 19200

Parity: NONE

Stop Bits: 1

Source ID: 0 (decimal)

Protocol Control

Control Line: No Handshaking

Error Detection: CRC

Embedded Responses: Enabled

Duplicate Packet Detect

ACK Timeout (x20 ms): 50

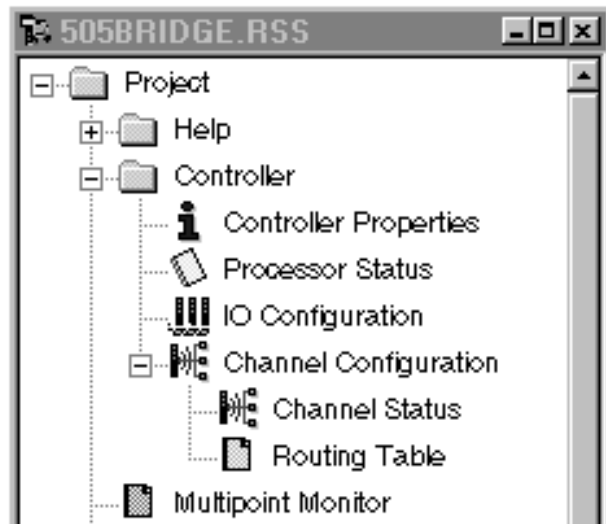
NAK Retries: 3

ENQ Retries: 3

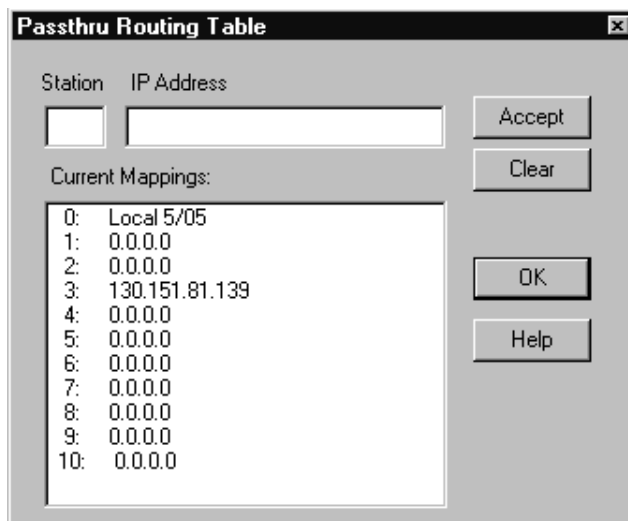
**Important:** Channel 0 Source ID must be set to 0 when SLC 5/05 #1 is used as the bridge between DF1 full-duplex and Ethernet.

## Passthru Routing Table

The passthru routing table is located under the channel configuration selection in RSLogix 500 Programming Software. If a Passthru Routing Table File number was entered in the General Tab in the Channel Configuration dialog box, click on the + in front of “Channel Configuration” to reveal the routing table selection.



Double-click on “Routing Table” to view and modify the passthru routing table.



**Important:** The routing table must contain the IP address of SLC 5/05 #2 at station target node three, as shown in the routing table above. Target node three was identified as the target node in the SLC5/03 Message Setup dialog box.

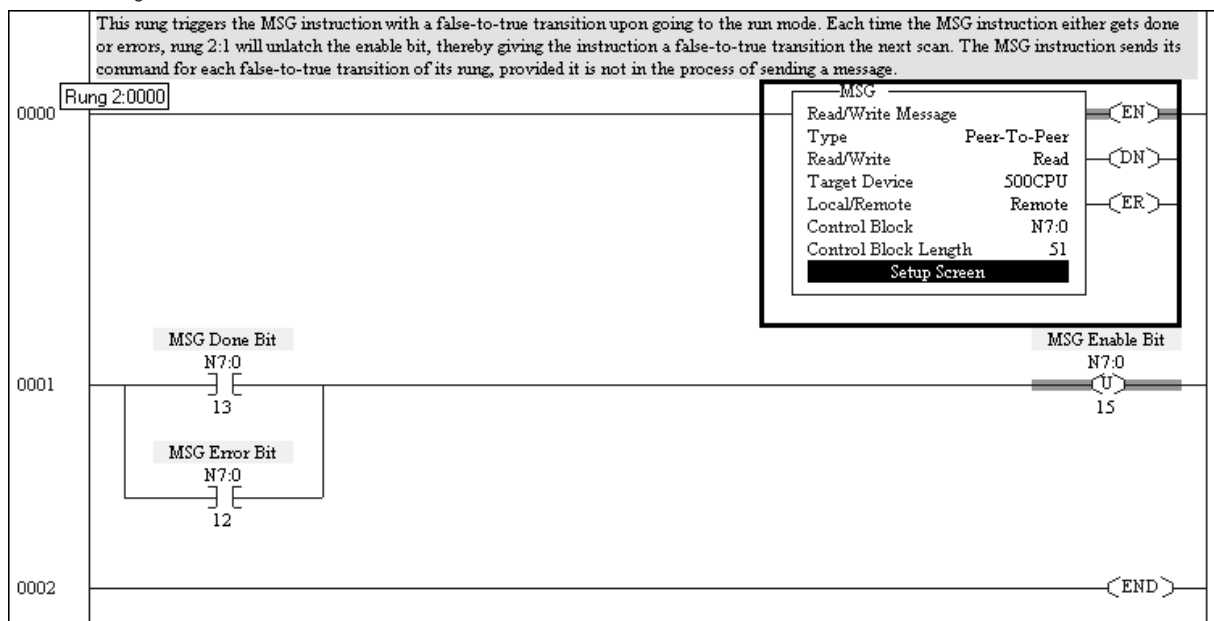
### SLC 5/05 #2 Using Ethernet

For DF1-to-Ethernet passthru, SLC 5/05 #2 is the receiver and does not require message ladder logic, only a correct IP address and proper channel configuration.

For Ethernet-to-DF1 passthru, SLC 5/05 #2 is the initiator and must have ladder logic. The program below shows how the SLC 5/05 #2 processor can initiate a message to the SLC 5/03 via the SLC 5/05 #1 bridge.

The SLC 5/05 message ladder logic, remote message setup, and channel configurations are shown below.

SLC 5/05 #2 Ladder Logic



## SLC 5/05 #2 Message Setup

- **Channel** is set to 1 for Ethernet.
- **Message Timeout** for any Ethernet MSG cannot be modified in the Ethernet Message Setup dialog box. It is assigned by the processor, and is determined by adding the Channel 1 MSG Connection Timeout to the MSG Reply Timeout, then adding 5 seconds. This value can be modified by changing one or both of the timeout values in the channel 1 channel configuration screen. The modified message timeout applies to all MSG instructions.
- The **Remote Bridge Link ID** is the Link ID of Channel 0 of the SLC 5/05 #1 bridge.
- The **Remote Bridge Address** is zero, since the SLC 5/05 #1, as the bridge, is always node or Source ID 0 for its DF1 channel.
- The **Local Bridge Address** is the IP address of the SLC 5/05 #1 bridge.

SLC 5/05 #2 Channel Configuration

The screenshot shows the 'Channel Configuration' dialog box with the following settings:

- General Tab:**
  - Channel 1:
    - Driver: Ethernet
    - Write Protected
    - Passthru Link ID (dec): 2
    - Edit Resource/Owner Timeout (x1 sec): 60
    - Diagnostic File: 20
  - Channel 0:
    - System Driver: DF1 Full Duplex
    - User Driver: ASCII
    - Mode: System
    - Write Protected
    - Mode Change Enabled:
    - Passthru Link ID (dec): 1
    - Mode Attention Character: \1b
    - Edit Resource/Owner Timeout (x1 sec): 60
    - System Mode Character: S
    - Diagnostic File: 0
    - User Mode Character: U
- Pass Thru Routing Table File:** 0

**Note:** A zero in the Passthru Routing Table File indicates that this processor is not being used as a bridge. A passthru routing table will not be created.

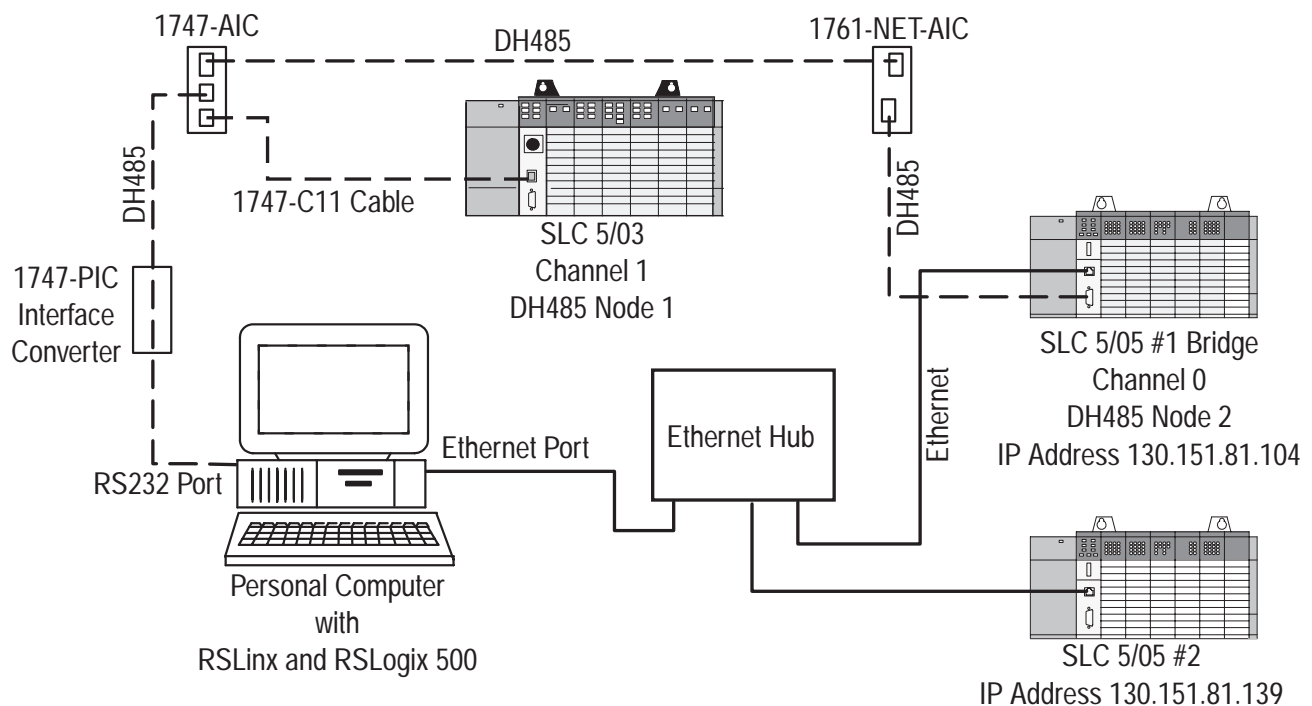
The screenshot shows the 'Channel Configuration' dialog box with the 'General' tab selected, displaying the following network settings:

- Driver: Ethernet
- Broadcast Address: 0.0.0.0
- Hardware Address: 00:00:BC:1D:01:AB
- IP Address: 130.151.81.139
- Subnet Mask: 0.0.0.0
- Gateway Address: 0.0.0.0
- Bootp Enable
- Msg Connection Timeout (x 1mS): 15000
- Msg Reply Timeout (x 1mS): 3000
- Inactivity Timeout (x Min): 30
- Contact: [Empty text box]
- Location: [Empty text box]

## Example 2: DH485-to-Ethernet and Ethernet-to-DH485

In the following diagram, the SLC 5/03 uses DH485 protocol to send a remote message to SLC 5/05 #1. The SLC 5/05 #1 passes the message through to SLC 5/05 #2 via Ethernet. The SLC 5/05 #2 can also send a message to the SLC 5/03 via the SLC5/05 #1 bridge. The SLC 5/05 #1 processor routes the message to the SLC 5/03 via DH485.

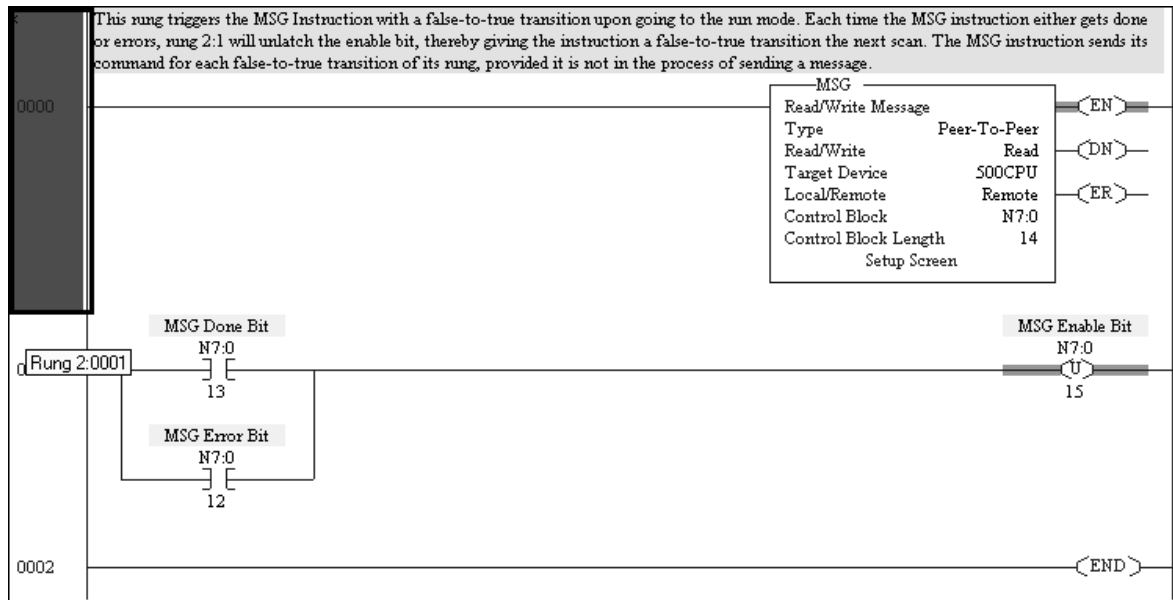
**Important:** In the SLC 5/05 #1 bridge, Status File Bit S:34/0 must be set to 0 to enable DH485-to-Ethernet passthru. Set Status File Bit S:34/5 to 0 to disable DF1-to-Ethernet passthru.



### SLC 5/03 Using DH485

The remote message ladder logic, setup, and channel configuration are shown on page 5-12.

## SLC 5/03 Ladder Logic



## SLC 5/03 Message Setup

Message Setup	
General	
Type:	Peer-To-Peer
Read/Write:	Read
Target Device:	500CPU
Local/Remote:	Remote
Control Block:	N7:0
Channel:	1
Target Node (decimal):	3 (3 Octal)
Local File Address:	N10:0
Targets File Address/Offset:	N10:0
Message Length in Elements:	10
Message Timeout (Seconds):	30
Remote Bridge Link ID (dec):	2
Remote Bridge Address (dec):	0
Local Bridge Address (dec):	2
Error Description	
Error Code(Hex): 0	
Control Bits	
Ignore if timed out (TO):	0
To be retired (NR):	0
Awaiting Execution (EW):	0
Continuous Run (CO):	0
Error (ER):	0
Message done (DN):	0
Message Transmitting (ST):	1
Message Enabled (EN):	1
Waiting for queue space:	0
Control Address: N7:0	
OK	
Cancel	
Help	

- **Channel** is set to one, the DH485 default.
- **Target Node** is the address in the SLC 5/05 #1 routing table where the IP address for SLC 5/05 #2 is stored.
- The **Message Timeout** must be at least as long as the SLC 5/05 timeout for Ethernet connection. The SLC 5/05 default timeout is 23 seconds.
- The **Remote Bridge Link ID** is the Link ID of Channel 1 of the SLC 5/05 #1 bridge.
- The **Remote Bridge Address** is always zero to point to the IP address for the bridge's (SLC 5/05 #1) Ethernet channel.
- The **Local Bridge Address** is the Channel 0 DH485 node address of the SLC 5/05 #1 bridge.



## SLC 5/03 Channel Configuration

**Channel Configuration**

General | Chan. 1 - System | Chan. 0 - System | Chan. 0 - User

Channel 1

Driver: DH485

Write Protected

Passthru Link ID (dec) 2

Edit Resource/Owner Timeout (x1 sec) 60

Channel 0

System Driver: DF1 Full Duplex User Driver: ASCII

Mode: System  Mode Change Enabled

Write Protected Mode Attention Character \1b

Passthru Link ID (dec) 1 System Mode Character S

Edit Resource/Owner Timeout (x1 sec) 60 User Mode Character U

**Channel Configuration**

General | Chan. 1 - System | Chan. 0 - System | Chan. 0 - User

Driver: DH485 Node Address: 1 (decimal)

Baud: 19200

Protocol Control

Token Hold Factor: 1

Max. Node Address: 31

- **Channel 1 Driver** is set to DH485.
- **Node Address** is the address of the SLC 5/03 processor.

# Allen-Bradley Parts

### SLC 5/05 #1 Bridge

Ladder logic is not required for the SLC 5/05 which acts as a bridge from DH485-to-Ethernet. However, you must set up a passthru routing table file when configuring the bridge. The channel configuration is shown below, along with the routing table.

SLC 5/05 #1 Bridge Channel Configuration

**Channel Configuration**

General | Chan. 1 - System | Chan. 0 - System | Chan. 0 - User

Channel 1

Driver:

Write Protected

Passthru Link ID (dec)

Edit Resource/Owner Timeout (x1 sec)

Diagnostic File

Pass Thru Routing Table File

Channel 0

System Driver:

User Driver:

Mode:

Write Protected

Passthru Link ID (dec)

Edit Resource/Owner Timeout (x1 sec)

Diagnostic File

Mode Change Enabled

Mode Attention Character

System Mode Character

User Mode Character

**Channel Configuration**

General | Chan. 1 - System | Chan. 0 - System | Chan. 0 - User

Driver:

Broadcast Address:

Hardware Address:

IP Address:

Subnet Mask:

Gateway Address:

Bootp Enable

Msg Connection Timeout (x 1mS):

Msg Reply Timeout (x 1mS):

Inactivity Timeout (x Min):

Contact:

Location:

**Channel Configuration**

General | Chan. 1 - System | Chan. 0 - System | Chan. 0 - User

Driver:  Node Address:  (decimal)

Baud:

Protocol Control

Token Hold Factor:

Max. Node Address:

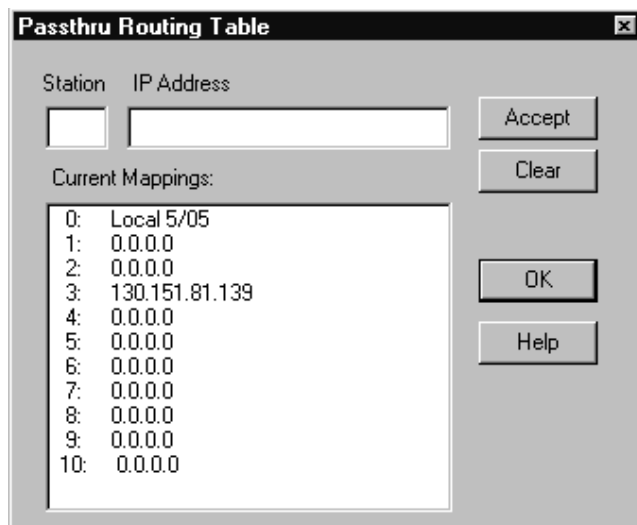
# Allen-Bradley Parts

### Passthru Routing Table

The passthru routing table is located under the channel configuration selection in RSLogix500 Programming Software. If a Passthru Routing Table File number was entered in the General Tab in the Channel Configuration dialog box, click on the + in front of “Channel Configuration” to reveal the routing table selection.



Double-click on “Routing Table” to view and modify the routing table.



**Important:** The routing table must contain the IP address of the SLC 5/05 #2 at station target node three, as shown in the routing table above. Target node three was identified as the target node in the SLC 5/03 Message Setup dialog box.

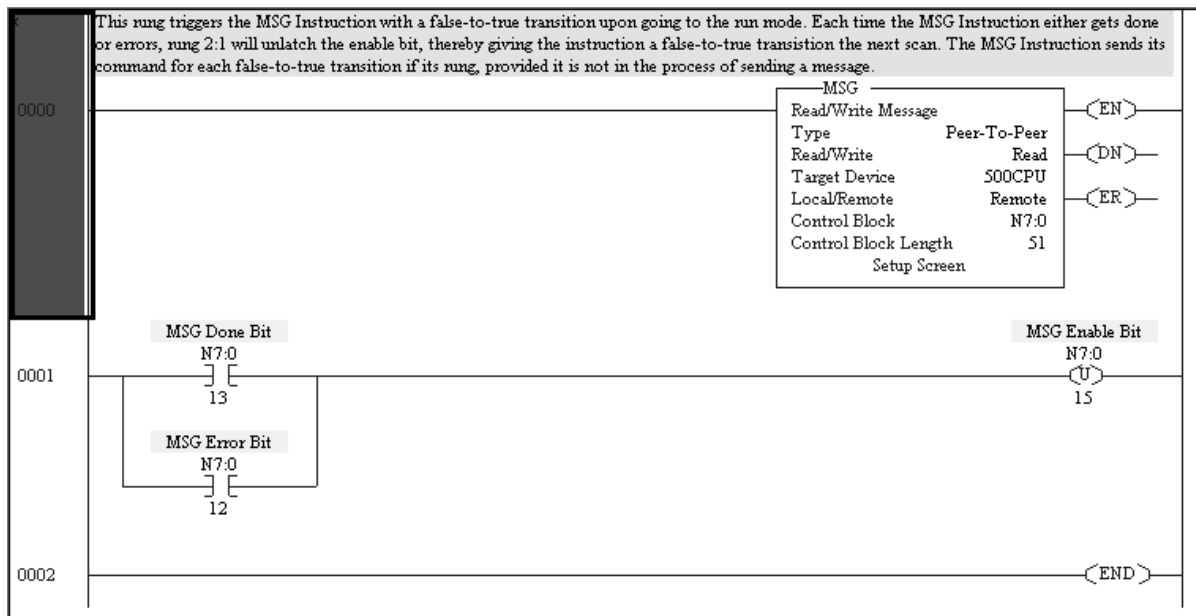
## SLC 5/05 # 2 Using Ethernet

For DH485-to-Ethernet passthru, SLC 5/05 #2 is the receiver and does not require message ladder logic, only a correct IP address and proper channel configuration.

For Ethernet-to-DH485 passthru, SLC 5/05 #2 is the initiator and must have ladder logic to send a message to SLC 5/03 via the SLC 5/05 #1 bridge.

The SLC 5/05 remote message ladder logic, message setup, and channel configurations are shown below.

SLC 5/05 #2 Ladder Logic



## SLC 5/05 #2 Message Setup

**Message Setup**

**General**

Type: Peer-To-Peer  
 Read/Write: Read  
 Target Device: 500CPU  
 Local/Remote: Remote  
 Control Block: N7:0  
 Channel: 1  
 Target Node (decimal): 1 (1 Octal)  
 Local File Address: N10:10  
 Targets File Address/Offset: N10:10  
 Message Length in Elements: 10  
 Message Timeout (Seconds): 5  
 Remote Bridge Link ID (dec): 1  
 Remote Bridge Address (dec): 2  
 Local Bridge Address (IP): 130.151.81.104

**Control Bits**

Ignore if timed out (TO): 0  
 To be retired (NR): 0  
 Awaiting Execution (EW): 0  
 Continuous Run (CO): 0  
 Error (ER): 0  
 Message done (DN): 0  
 Message Transmitting (ST): 0  
 Message Enabled (EN): 0  
 Waiting for queue space: 0  
 Control Address: N7:0

**Error**

Error Code(Hex): 0

OK  
 Cancel  
 Help

Error Description

- **Channel** is set to one for Ethernet.
- **Target Node** is the DH485 node address of the SLC 5/03 destination processor.
- **Message Timeout** for any Ethernet MSG cannot be modified in the Ethernet Message Setup dialog box. It is assigned by the processor, and is determined by adding the Channel 1 MSG Connection Timeout to the MSG Reply Timeout, then adding 5 seconds. This value can be modified by changing one or both of the timeout values in the Channel 1 channel configuration screen. The modified message timeout applies to all MSG instructions.
- The **Remote Bridge Link ID** is the Link ID of Channel 0 of the SLC 5/05 #1 bridge.
- The **Remote Bridge Address** is the DH485 address for Channel 0 of SLC 5/05 #1.
- The **Local Bridge Address** is the IP address of the SLC 5/05 #1 bridge.

## SLC 5/05 #2 Channel Configuration

**Channel Configuration**

General | Chan. 1 - System | Chan. 0 - System | Chan. 0 - User

Channel 1

Driver: Ethernet

Write Protected

Passthru Link ID (dec): 2

Edit Resource/Owner Timeout (x1 sec): 60

Diagnostic File: 20

Pass Thru Routing Table File: 0

Channel 0

System Driver: DF1 Full Duplex

User Driver: ASCII

Mode: System

Write Protected

Passthru Link ID (dec): 1

Edit Resource/Owner Timeout (x1 sec): 60

Diagnostic File: 0

Mode Change Enabled

Mode Attention Character: \1b

System Mode Character: S

User Mode Character: U

**Note:** A zero in the Passthru Routing Table File indicates that this processor is not being used as a bridge. A passthru routing table will not be created.

**Channel Configuration**

General | Chan. 1 - System | Chan. 0 - System | Chan. 0 - User

Driver: Ethernet

Broadcast Address: 0.0.0.0

Hardware Address: 00:00:BC:1D:01:AB

IP Address: 130.151.81.139

Subnet Mask: 0.0.0.0

Gateway Address: 0.0.0.0

Bootp Enable

Msg Connection Timeout (x 1mS): 15000

Msg Reply Timeout (x 1mS): 10000

Inactivity Timeout (x Min): 30

Contact: \_\_\_\_\_

Location: \_\_\_\_\_





## Specifications

### System Test General Specifications

The table below lists SLC 500 system test specifications.

Description	Specification	Industry Standard
Temperature	Operating: 0°C to +60°C (32°F to 140°F)	Not Applicable
	Storage: -40°C to +85°C (-40°F to 185°F)	Not Applicable
Humidity	5 to 95% without condensation	Not Applicable
Vibration	Operating: 1.0G at 5 to 2000 Hz	Not Applicable
	Non-operating: 2.5Gs at 5 to 2000 Hz	Not Applicable
Shock	Operating: 30.0Gs (3 pulses, 11 ms)	Not Applicable
	Operating: 10.0Gs (3 pulses, 11 ms)	Not Applicable
	Non-operating: 50.0Gs (3 pulses, 11 ms)	Not Applicable
Free Fall (drop test)	Portable, 2.268 kg (5 lbs) or less at 0.762m (30 in.) (six drops)	Not Applicable
	Portable, 2.268 kg (5 lbs) or more at 0.1016m (4 in.) (three flat drops)	Not Applicable
Electromagnetic Compatibility	Showering Arc: 1.5 kV	NEMA ICS 2-230/NEMA ICS 3-304
	Surge Withstand Capability: 3 kV	IEEE Std. 472-1974/ANSI C37.90/90A-1974
	Fast Transient Burst (impulse): 2 kV for 1746 power supplies, 1kV for 1746 I/O and communication lines over 10m (32.84 ft), 5 ns rise time	Internal Rockwell Automation standard <sup>①</sup>
	Electrostatic Discharge (ESD): 15 kV, 100 pF/1.5k ohm model	Internal Rockwell Automation standard <sup>①</sup>
	Radiated Electromagnetic Susceptibility: 5W walkie-talkie at 464.5 MHz and 153.05 MHz	Internal Rockwell Automation standard <sup>①</sup>
Safety	Dielectric Withstand: 1500V ac	UL 508, CSA C22.2 No. 142
	Isolation between Communication Circuits: 500V dc	Not Applicable
	Isolation between Backplane and I/Os: 1500V ac	Not Applicable
	Flammability and Electrical Ignition: UL94V-0	Not Applicable
Certification	UL listed/CSA approved Class 1, Groups A, B, C or D, Division 2 CE compliant for all applicable directives	Not Applicable

<sup>①</sup> Internal Rockwell Automation standards are based on Rockwell Automation's extensive experience in industrial controls. It is also based partly on industry and/or military specifications.

## Processor General Specifications

The table below describes the general specifications for the SLC 5/05 processors.

Specification	1747-L551	1747-L552	1747-L553
Memory Size	16K Words	32K Words	64K Words
I/O Capacity	up to 4096 inputs and 4096 outputs		
Maximum Chassis/Slots	3/30		
Standard RAM	Lithium Battery (2 years)		
Memory Back-up Options	Flash EPROM		
LED Indicators	Run, CPU Fault, Battery Low, Forced I/O, Ethernet, RS-232		
Typical Scan Time <sup>①</sup>	0.9 ms/K		
Bit Execution (XIC)	.37 $\mu$ s		
Communication	Ch 1: Ethernet (10Base-T) Ch 0: RS-232 (DF1, ASCII, or DH485 Protocols)		
Power Supply Loading at 5V dc	1A		
Power Supply Loading at 24V dc	200 mA		
Clock/Calendar Accuracy	$\pm$ 54 sec/month at 25°C (77°F) $\pm$ 81 sec/month at 60°C (140°F)		
Program Scan Hold-up Time after Loss of Power	20 milliseconds to 3 seconds (dependent on power supply loading)		
Noise Immunity	NEMA Standard ICS 2-230		
Ambient Temperature Rating	Operating: 0°C to +60°C (32°F to 140°F) Storage: -40°C to +85°C (-40°F to 185°F)		
Humidity	5 to 95% without condensation		
Shock (operating)	30Gs		
Vibration	Displacement: .015 in., peak-to-peak at 5 to 57 Hz		
	Acceleration: 2.5Gs at 57 to 2000 Hz		
Certification	UL listed/CSA approved Class I, Division 2, Groups A, B, C or D CE compliant for all applicable directives		

<sup>①</sup> The scan times are typical for a 1K ladder logic program consisting of simple ladder logic and communication servicing. Actual scan times depend on your program size, instructions used, and communication protocol.

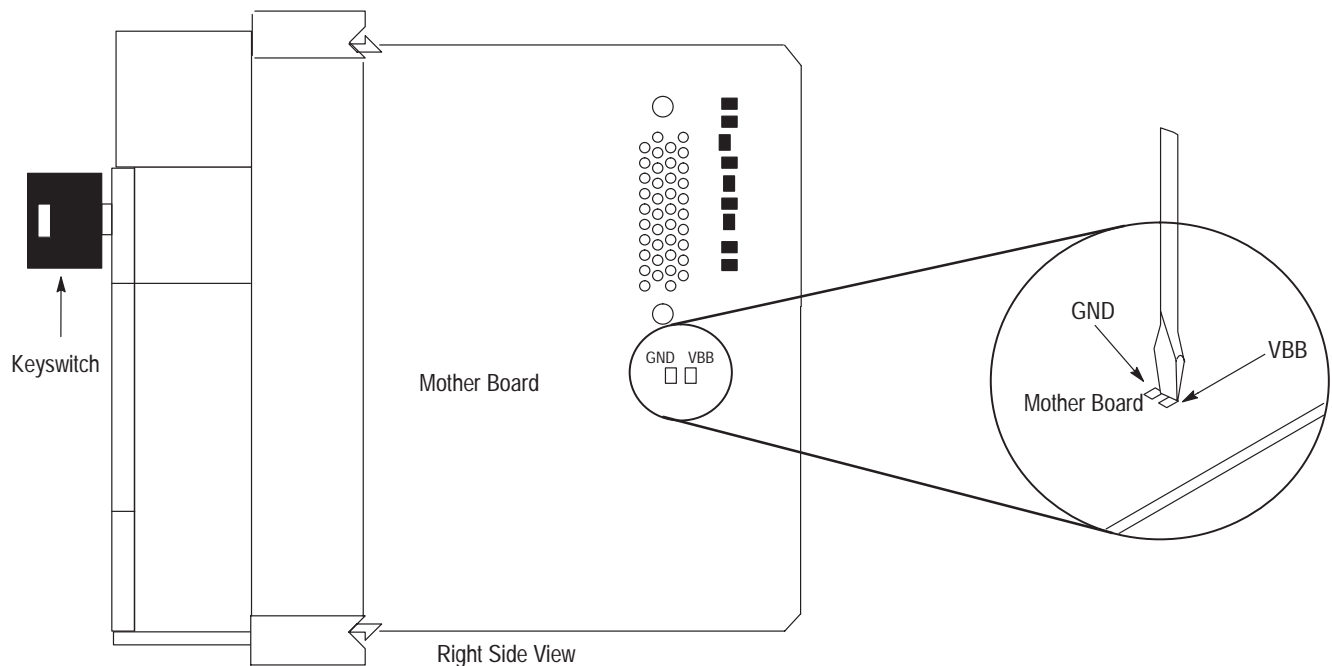
## (Optional) Return Processor to Initial Factory Conditions

Use this procedure if the communication channels are shut down because they were configured to be shut down, or if you absolutely cannot establish communications with the processor.



**ATTENTION:** If you return the processor to the initial factory conditions, the user program and communication configurations are returned to their default settings.

1. Remove power from the SLC 500 power supply.
2. Remove the processor from the chassis.
3. *Disconnect the battery* by removing the battery connector from its socket.
4. Locate the VBB and GND connections on the right side of the motherboard.
5. Place a small bladed screwdriver across the VBB and GND connections and hold for 60 seconds. This returns the processor to the initial factory conditions.





# Allen-Bradley Parts



Allen-Bradley, a Rockwell Automation Business, has been helping its customers improve productivity and quality for more than 90 years. We design, manufacture and support a broad range of automation products worldwide. They include logic processors, power and motion control devices, operator interfaces, sensors and a variety of software. Rockwell is one of the world's leading technology companies.



## Worldwide representation.

Argentina • Australia • Austria • Bahrain • Belgium • Brazil • Bulgaria • Canada • Chile • China, PRC • Colombia • Costa Rica • Croatia • Cyprus • Czech Republic • Denmark • Ecuador • Egypt • El Salvador • Finland • France • Germany • Greece • Guatemala • Honduras • Hong Kong • Hungary • Iceland • India • Indonesia • Ireland • Israel • Italy • Jamaica • Japan • Jordan • Korea • Kuwait • Lebanon • Malaysia • Mexico • Netherlands • New Zealand • Norway • Pakistan • Peru • Philippines • Poland • Portugal • Puerto Rico • Qatar • Romania • Russia-CIS • Saudi Arabia • Singapore • Slovakia • Slovenia • South Africa, Republic • Spain • Sweden • Switzerland • Taiwan • Thailand • Turkey • United Arab Emirates • United Kingdom • United States • Uruguay • Venezuela • Yugoslavia

Allen-Bradley Headquarters, 1201 South Second Street, Milwaukee, WI 53204 USA, Tel: (1) 414 382-2000 Fax: (1) 414 382-4444