

# GuardPLC 1600 Controllers

Catalog Numbers 1753-L28BBB-M, 1753-L28BBB-P

<b>Topic</b>	<b>Page</b>
Important User Information	2
About the GuardPLC 1600 Controller	3
General Safety	3
Install the Controller	4
Mount the Controller	5
Ground the Controller	5
Wire the Controller	6
Make Communication Connections	12
Reset Push Button	14
Controller Tests	15
Status Indicators	16
Specifications	17
Additional Resources	20

## Important User Information

Solid-state equipment has operational characteristics differing from those of electromechanical equipment. Safety Guidelines for the Application, Installation and Maintenance of Solid State Controls (Publication [SGI-1.1](#) available from your local Rockwell Automation sales office or online at <http://www.rockwellautomation.com/literature/>) describes some important differences between solid-state equipment and hard-wired electromechanical devices. Because of this difference, and also because of the wide variety of uses for solid-state equipment, all persons responsible for applying this equipment must satisfy themselves that each intended application of this equipment is acceptable.





In no event will Rockwell Automation, Inc. be responsible or liable for indirect or consequential damages resulting from the use or application of this equipment.

The examples and diagrams in this manual are included solely for illustrative purposes. Because of the many variables and requirements associated with any particular installation, Rockwell Automation, Inc. cannot assume responsibility or liability for actual use based on the examples and diagrams.

No patent liability is assumed by Rockwell Automation, Inc. with respect to use of information, circuits, equipment, or software described in this manual.

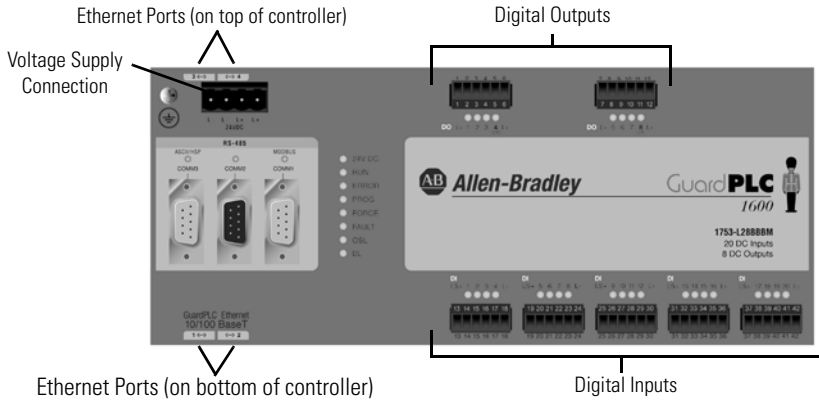
Reproduction of the contents of this manual, in whole or in part, without written permission of Rockwell Automation, Inc., is prohibited.

Throughout this manual, when necessary, we use notes to make you aware of safety considerations.

	<b>ATTENTION:</b> Identifies information about practices or circumstances that can cause an explosion in a hazardous environment, which may lead to personal injury or death, property damage, or economic loss.
	<b>ATTENTION:</b> Identifies information about practices or circumstances that can lead to personal injury or death, property damage, or economic loss. Attentions help you identify a hazard, avoid a hazard and recognize the consequences.
	<b>SHOCK HAZARD:</b> Labels may be on or inside the equipment, for example, drive or motor, to alert people that dangerous voltage may be present.
	<b>BURN HAZARD:</b> Labels may be on or inside the equipment, for example, drive or motor, to alert people that surfaces may reach dangerous temperatures.
<b>IMPORTANT</b>	Identifies information that is critical for successful application and understanding of the product.

## About the GuardPLC 1600 Controller

The GuardPLC 1600 controller is a programmable electronic system featuring 20 digital inputs, 8 digital outputs, and 4 connections for GuardPLC Ethernet communication.



## General Safety



**ATTENTION:** Personnel responsible for the application of safety-related programmable electronic systems (PES) shall be aware of the safety requirements in the application of the system and shall be trained in using the system.

## Prevent Electrostatic Discharge



**ATTENTION:** This equipment is sensitive to electrostatic discharge, which can cause internal damage and affect normal operation. Follow these guidelines when you handle this equipment:

- Touch a grounded object to discharge static potential.
- Wear an approved wrist-strap grounding device.
- Do not touch connectors or pins on component boards.
- Do not touch circuit components inside the equipment.
- Use a static-safe workstation, if available.
- Store the equipment in appropriate static-safe packaging when not in use.

---

## Environment and Enclosure

---



**ATTENTION:** This equipment is intended for use in a Pollution Degree 2 industrial environment, in overvoltage Category II applications (as defined in IEC publication 60664-1), at altitudes up to 2000 m (6562 ft) without derating.

This equipment is considered Group 1, Class A industrial equipment according to IEC/CISPR 11. Without appropriate precautions, there may be difficulties with electromagnetic compatibility in residential and other environments due to conducted as well as radiated disturbances.

This equipment is supplied as open-type equipment. It must be mounted within an enclosure that is suitably designed for those specific environmental conditions that will be present and appropriately designed to prevent personal injury resulting from accessibility to live parts. The enclosure must have suitable flame-retardant properties to prevent or minimize the spread of flame, complying with a flame spread rating of 5VA, V2, V1, V0 (or equivalent) if non-metallic. The interior of the enclosure must be accessible only by the use of a tool. Subsequent sections of this publication may contain additional information regarding specific enclosure type ratings that are required to comply with certain product safety certifications.

In addition to this publication, see:

- Industrial Automation Wiring and Grounding Guidelines, Rockwell Automation publication [1770-4.1](#), for additional installation requirements.
  - NEMA 250 and IEC 60529, as applicable, for explanations of the degrees of protection provided by different types of enclosure.
- 

## Install the Controller

Follow these steps to install the GuardPLC 1600 controller.

1. Mount the controller to a DIN rail.
2. Ground the controller.
3. Wire the controller.
4. Make communication connections.

This publication describes these steps in detail.

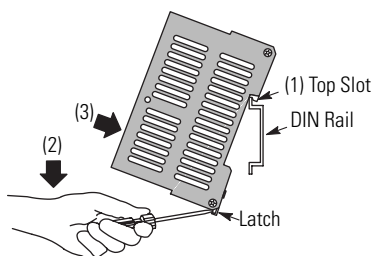
## Mount the Controller

**IMPORTANT** For effective cooling, mount the controller following these guidelines.

- Mount the controller horizontally.
- Provide a gap of at least 100 mm (3.94 in.) above and below the controller.
- Select a location where air flows freely or use an additional fan.
- Do not mount the controller over a heating device.

The controller cannot be panel-mounted. Mount the controller to a DIN rail by following these steps.

1. Hook the top slot over the DIN rail.
2. Insert a flathead screwdriver into the gap between the housing and the latch and pull the latch downward.
3. Hold the latch down as you push the housing back onto the DIN rail.
4. Release the latch to lock the device onto the rail.



**TIP**

To remove the controller from the DIN rail, insert a flathead screwdriver into the gap between the housing and the latch and pull the latch downward as you lift the controller off of the rail.

## Ground the Controller

The controller is functionally grounded through its DIN rail connection. A protective earth-ground connection is required and is provided through a separate grounding screw on the upper left of the housing and marked with the grounding symbol Ⓧ.

You must also provide an acceptable grounding path for each device in your application. For more information on proper grounding guidelines, refer to the Industrial Automation Wiring and Grounding Guidelines, publication [1770-4.1](#).



**ATTENTION:** This product is grounded through the DIN rail to chassis ground. Use zinc-plated yellow-chromate steel DIN rail to assure proper grounding. The use of other DIN rail materials (for example, aluminum or plastic) that can corrode, oxidize, or are poor conductors, can result in improper or intermittent grounding. Secure the DIN rail to the mounting surface approximately every 200 mm (7.8 in.) and use end-anchors appropriately.

---

## Wire the Controller

The following sections describe how to connect the voltage supply and wire the controller's digital inputs and outputs.

### Connect the Voltage Supply

The 24V DC voltage supply must feature galvanic isolation (in accordance with EN 60950 or UL 1950) since inputs and outputs are not electrically isolated from the processor. To comply with CE Low Voltage Directives (LVD) and UL restrictions, you must use either a Safety Extra Low Voltage (SELV), or a Protected Extra Low Voltage (PELV) power supply to power this controller. A SELV supply cannot exceed 30V rms, 42.4V peak, or 60V DC under normal conditions and under single-fault conditions. A PELV supply has the same rating and is connected to protected earth.

---

**IMPORTANT** Protect the controller with a slow-blowing fuse.

---

---

**IMPORTANT** The GuardPLC 1600 controller can draw up to 8 A. The controller needs 0.5 A to operate. Up to 7.5 A can be used to source voltage power for inputs and outputs connected to the controller.

---

The supply voltage is connected via a 4-pin connector that accommodates wire sizes up to 2.5 mm<sup>2</sup> (14 AWG). You need to connect only one wire to L+ and one wire to L-. Both L+ and L- terminals are internally connected, so you can daisy-chain 24V DC power from the GuardPLC controller to other devices in the panel by using the remaining terminal.

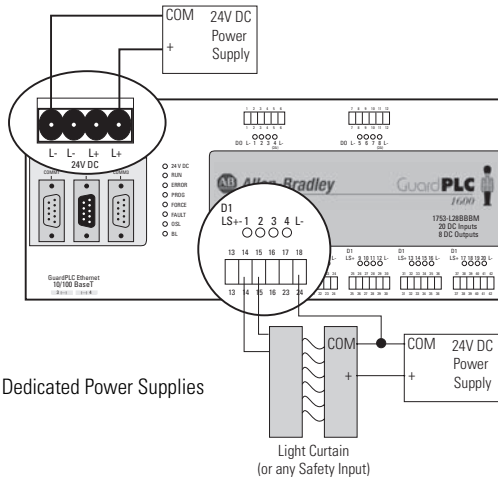


**ATTENTION:** Do not reverse the L+ and L- terminals or damage to the controller will result. There is no reverse polarity protection.

---



Devices with their own dedicated power supply can also be connected. Connect the reference pole of the external power supply to the L- reference pole of the input.



Connection of Devices with Dedicated Power Supplies

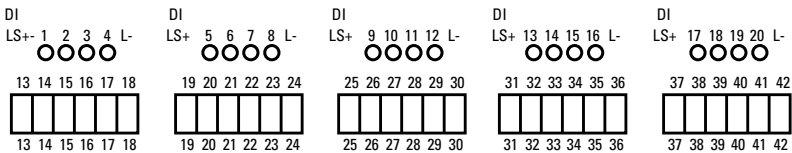
The safe state of an input is indicated by a 0 signal being passed to the user program logic. If the test routines detect a fault in the digital inputs, a 0 signal is processed in the user program for the defective channel. When a fault occurs, the inputs are switched off (0).

Follow the closed-circuit principle for external wiring when connecting sensors. To create a safe state in the event of a fault, the input signals revert to the de-energized state (0). The FAULT status indicator activates.

**TIP**

For more information on input wiring, see the GuardPLC Controller Systems User Manual, publication number [1753-UM001](#).

*Digital Input Terminals*





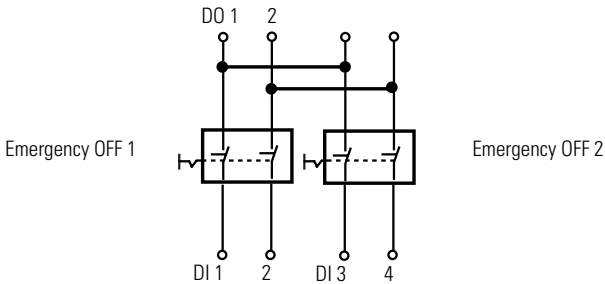
Terminals accommodate wires up to 1.5 mm<sup>2</sup> (16 AWG). See the terminal torque specifications on page 17. Digital inputs are connected to these terminals.

Terminal Number	Designation	Function
13	LS+	Sensor supply for inputs 1...4
14	1	Digital input 1
15	2	Digital input 2
16	3	Digital input 3
17	4	Digital input 4
18	L-	Reference pole
19	LS+	Sensor supply for inputs 5...8
20	5	Digital input 5
21	6	Digital input 6
22	7	Digital input 7
23	8	Digital input 8
24	L-	Reference pole
25	LS+	Sensor supply for inputs 9...12
26	9	Digital input 9
27	10	Digital input 10
28	11	Digital input 11
29	12	Digital input 12
30	L-	Reference pole
31	LS+	Sensor supply for inputs 13...16
32	13	Digital input 13
33	14	Digital input 14
34	15	Digital input 15
35	16	Digital input 16
36	L-	Reference pole
37	LS+	Sensor supply for inputs 17...20
38	17	Digital input 17
39	18	Digital input 18
40	19	Digital input 19
41	20	Digital input 20
42	L-	Reference pole

LS+, not L+, should be used for short-circuit protection. Each LS+ features individual short-circuit and EMC protection that make it important to use LS+ for only its four related inputs.

## Line Control

Line control is a short-circuit and line-break monitoring system (that is, E-stop inputs) that can be configured for the GuardPLC 1600 system. Up to eight digital outputs (DO1...DO8) can be configured as pulsed outputs. The example below shows two pulse outputs connected to the digital inputs (DI) of the same system. As a result, the connections to the digital inputs (DI) are monitored.



Inputs are set to 0, a fault code is generated, and the FAULT status indicator is on when:

- a short-circuit occurs between two parallel connections.
- two connections are reversed.
- earth fault occurs on one of the lines (only with earthed reference pole).
- a line breaks or one of the contacts opens (that is, when one of the E-stop off switches is pressed in the example above).

### IMPORTANT

For information on how to configure inputs and outputs for line control, see the GuardPLC Controller Systems User Manual, publication [1753-UM001](#).

## Safety-related Digital Outputs

The controller has eight digital outputs (DO1...DO8) whose status is indicated via status indicators.

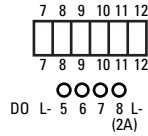
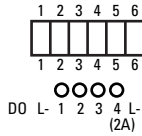
An output is in a safe state when it is de-energized. When a fault occurs, all outputs are switched off.

Outputs 1...3 and 5...7 can have a load of 0.5 A at an ambient temperature of 60 °C (140 °F). Outputs 4 and 8 can each have a load of 1 A at an ambient temperature of 60 °C (140 °F), or up to 2 A at an ambient temperature of 50 °C (122 °F).

With an overload, one or all of the outputs are turned off. When the overload is eliminated, the outputs are activated again according to the specified value.

Although the external line of an output is not monitored, a short-circuit will be indicated.

## Digital Output Terminals

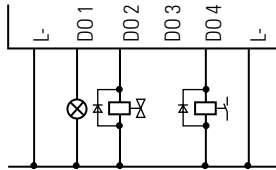


Terminals accommodate wires up to 1.5 mm<sup>2</sup> (16 AWG). See the terminal torque specifications on page 17. Digital outputs are connected to these terminals.

Terminal Number	Designation	Function	Current
1	L-	Reference pole	—
2	1	Digital output 1	0.5 A
3	2	Digital output 2	0.5 A
4	3	Digital output 3	0.5 A
5	4	Digital output 4 (for increased load)	2.0 A
6	L-	Reference pole	—
7	L-	Reference pole	—
8	5	Digital output 5	0.5 A
9	6	Digital output 6	0.5 A
10	7	Digital output 7	0.5 A
11	8	Digital output 8 (for increased load)	2.0 A
12	L-	Reference pole	—

For connection of a load, the reference pole L- of the corresponding channel group must be used (2-pole connection). Although L- at terminals 1 and 6 and at 7 and 12 is connected internally to L- on the power supply input, it is strictly recommended to use 1 and 6 for outputs 1...4 only and 7 and 12 for outputs 5... 8 only. EMC testing was performed in this manner.

### Example: Connecting Actuators to the Outputs



**TIP** Inductive loads can be connected without a protection diode on the load. However, Rockwell Automation strongly recommends that a protection diode be fitted directly to the load to suppress any interference voltage. A 1N4004 diode is recommended.

The digital outputs can be pulsed with the safety-related digital inputs of the same device. This enables short-circuit or line-break monitoring to be carried out (that is, emergency stop buttons to conform to Cat. 4 in EN954-1).



**ATTENTION:** Pulse outputs may not be used as safety-related outputs.

**TIP** For more information on output wiring, see the GuardPLC Controller Systems User Manual, publication [1753-UM001](#).

## Make Communication Connections

The controller supports separate connections for safety and nonsafety-related communication.

### Connections for Safety-related Communication

The controller has four 10/100BaseT, RJ45 connectors to provide communication via GuardPLC Ethernet protocol to distributed I/O and other GuardPLC controllers, OLE for Process Control (OPC) servers, and with the programming software. Connectors 1 and 2 are on the bottom side on the left. Connectors 3 and 4 are on the top side on the left. All four connectors and the GuardPLC processor are connected together by an internal Ethernet switch. The switches are auto-detect. Either crossover or straight-through Ethernet cabling can be used.

Star or line configurations are available. Make sure that a network loop is not generated. Data packets must be able to reach a node only via a single path.

## OPC Server

The GuardPLC 1600 controller is an OPC client. An OPC server, catalog number 1753-OPC, is available from Rockwell Automation and lets computer applications read and write data to and from the GuardPLC controller.

## MAC Address

The media access control (MAC) address of the controller can be found on the label positioned over both lower RJ45 connections.

## Connections for Nonsafety-related Communication

The three 9-pin D-shell connectors on the front of the controller provide the following communication options.

Designation	Function
COMM1 (RS-485)	Modbus Slave (1753-L28BBB-M) Profibus-DP-Slave (1753-L28BBB-P)
COMM2	Not used
COMM3 (RS-485)	GuardPLC ASCII protocol

The pin assignments of the D-shell connector are listed in this table.

Connection	Signal	Function
1	—	—
2	RP	5V, decoupled with diodes
3	RxD/TxD-A	Receive/transmit data A
4	CNTR-A	Control signal A
5	DGND	Data reference potential
6	VP	5V, positive pole of supply voltage
7	—	—
8	RxD/TxD-B	Receive/transmit data B
9	CNTR-B	Control signal B

## IP Address and System ID (SRS)

A transparent label provided with the controller can be used to note the IP address and system ID (SRS). The default value for the IP address is 192.168.0.99. The default SRS is 60000.

### IMPORTANT

If you attach the label to the controller, make sure you do not cover any of the ventilation slots.

## Reset Push Button

The controller is equipped with a reset push button. Reset via the push button is necessary under the following conditions.

- You forget the password to go online via the programming software.
- You are unable to determine the IP address and SRS of the controller.

The push button is accessible through a small round hole at the top of the housing, approximately 4...5 cm (1.6...2.0 in.) from the left rim and recessed approximately 9.5 mm (0.375 in.).

---

**IMPORTANT**      Activate the reset push button using an insulated pin to prevent short-circuits.

---

To reset, press and hold the push button for 20 seconds while rebooting the device by cycling power. Pressing the Reset push button during operation has no effect.

With activation of the reset button:

- all accounts are deleted except for the default account.
- IP Address and System ID (SRS) are set to their default values.

The next time you cycle power, these settings will be restored to the last values stored into nonvolatile memory. This means that either the settings prior to the reset will be restored, or if any settings were changed after the reset, those new settings will still be in effect.

## Controller Tests

In addition to the tests for safety, the controller tests the supply voltage and controller temperature.

### Supply Voltage Tests

The supply voltage (24V DC) is monitored and the alarm and system shutdown are controlled according to the voltage levels listed below.

Voltage Level	System Condition
19.3...28.8V	Normal
< 19.3V	Alarm state 1 (internal variables are written)
< 15.4V	Alarm state 2 (prepares for shutdown)
< 13.0V	Switched off

### Temperature Tests

The temperature of the controller is automatically and continuously monitored. The alarm is triggered by the temperature conditions described in this table.

Operating Temperature	Alarm
< 60 °C (140 °F)	None (normal)
60...70 °C (140...158 °F)	Warning on
> 70 °C (158 °F)	Main alarm on
Return to 64...54 °C (147.2...129.2 °F)	Main alarm off, warning on
Return to < 54 °C (129.2 °F)	None (return to normal)

## Status Indicators

Indicator	State	Description
24V DC	On	24V DC operating voltage present.
	Off	No operating voltage.
RUN	On	This is the normal status of the controller. A routine, which has been loaded into the controller, is executed. The controller processes input and output signals, carries out communication, and performs hardware and software tests.
	Flashing	The controller is in STOP mode and is not executing a routine. All system outputs are reset. STOP mode can be triggered by setting the <i>Emergency stop</i> system variable to TRUE in the routine, or by direct command from the programming software.
	Off	The controller is in ERROR_STOP mode (see ERROR).
ERROR	On	<ul style="list-style-type: none"> <li>● A hardware error has been detected by the controller. The controller goes to ERROR_STOP mode and the execution of the routine is halted. Hardware errors are errors in the controller, errors in one or more of the digital input and output modules, or errors in the counters.</li> <li>● A software error in the operating system has been detected by the controller.</li> <li>● The watchdog has reported an error due to exceeded cycle time.</li> </ul> <p>All system outputs will be reset and the controller ceases all hardware and software tests. The controller can only be restarted by a command from the programming software.</p>
	Off	No errors are detected.
PROGRESS	On	The upload of a new controller configuration is in progress.
	Flashing	The upload of a new operating system into the nonvolatile ROM is in progress.
	Off	No upload of controller configuration or operating system in progress.
FORCE	On	The controller is executing a routine (RUN) and FORCE mode is activated by the user.
	Flashing	The controller is in STOP mode, but forcing has been initiated and will be activated when the controller is started.
	Off	Forcing is OFF.
FAULT	On	<ul style="list-style-type: none"> <li>● The routine (logic) has caused an error.</li> <li>● The controller configuration is faulty.</li> <li>● The upload of a new operating system was not successful and the operating system is corrupted.</li> </ul>
	Flashing	An error has occurred during a nonvolatile ROM write cycle. One or more I/O errors have occurred.
	Off	None of the above errors has occurred.
OSL	Flashing	Emergency <b>O</b> perating <b>S</b> ystem <b>L</b> oader is active.
BL	Flashing	<b>B</b> oot <b>L</b> oader unable to load operating system or unable to start COMM operating system loader.

Controller status can be interrogated through the programming software. For more information, see the GuardPLC Controller Systems User Manual, publication [1753-UM001](#).



Communication via GuardPLC Ethernet protocol is indicated by two small status indicators integrated into all connecting sockets.

Indicator	State	Description
Green	On	Full-duplex operation
	Flashing	Collision
	Off	Half-duplex operation, no collision
Yellow	On	Connection established
	Flashing	Interface activity

Additional nonsafety-related communication occurs on the field buses and is indicated by these status indicators.

Indicator	Connection	Description
Green	COMM 1	RS-485 interface, field bus active
	COMM 2	Unassigned
	COMM 3	Unassigned

## Specifications

### Technical Specifications – GuardPLC 1600 Controllers

Attribute	1753-L28BBB-M, 1753-L28BBB-P
User Memory	250 KB max user program memory 250 KB max application data memory
Watchdog, min	10 ms
Safety time, min	20 ms
Current consumption	8 A max (with max load) 0.5 A idle current
Operating voltage	24V DC, -15% to 20%, $w_{SS} \leq 15\%$ (from a power supply with protective separation conforming to IEC 61131-2 requirements)
Isolation voltage	50V (continuous), Basic Insulation Type, I/O to Ethernet and Ethernet to DC power
Wiring category <sup>(1)</sup>	Category 2 on communication ports, signal ports, and power ports
Wire size	<ul style="list-style-type: none"> <li>I/O – 0.13...1.3 mm<sup>2</sup> (26...16 AWG) solid or stranded copper wire rated at 75 °C (167 °F) or greater with 1.2 mm (3/64 in.) insulation max</li> <li>Power – 0.33...2.1 mm<sup>2</sup> (22...14 AWG) solid or stranded copper wire rated at 75 °C (167 °F) or greater with 1.2 mm (3/64 in.) insulation max</li> <li>Ethernet – RJ45 connector according to IEC 60603-7, 2-pair or 4-pair Category 5e minimum cable according to TIA 568-B.1, or Category 5 cable according to ISO/IEC 24702</li> <li>Comm: 9-pin D-sub</li> </ul>
Wire type	Shielded on Ethernet
Terminal block torque	0.51 N•m (4.5 lb•in)

## Technical Specifications – GuardPLC 1600 Controllers

Attribute	1753-L28BBB-M, 1753-L28BBB-P
Fuse (external)	24V DC power: 10 A (time-lag)
Enclosure type rating	Meets IP20
Width, approx.	257 mm (10.1 in.)
Height, approx.	114 mm (4.49 in.) including latch
Depth, approx.	66 mm (2.60 in.) including grounding bolt
Weight	1.2 kg (2.64 lb)

### Digital Inputs

Number of inputs	20 (not electrically isolated)
On-state	Voltage: 15...30V DC Current consumption: $\geq 2$ mA @ 15V 7.5 mA @ 30V
Off-state	Voltage: 5V DC max Current consumption: 1.5 mA max (1 mA @ 5V)
Switching point	typically 7.5V
Supply	5 x 20V / 100 mA @ 24V short-circuit proof

### Digital Outputs

Number of outputs	8 (not electrically isolated)
Output voltage range	18.4...26.8V
Output current	Channels 1...3 and 5...7: 0.5 A @ 60 °C (140 °F) Channels 4 and 8: 1 A @ 60 °C (140 °F); 2 A @ 50 °C (122 °C)
Surge current per channel	1 A for 10ms @ 1Hz (Channels 1...3 and 5...7) 4 A for 10ms @ 1Hz (Channels 4 and 8)
Current load, min	2 mA per channel
On-state voltage drop	2.0V DC max @ 2 A
Off-state leakage current	1 mA max @ 2V

- (1) Use this Conductor Category information for planning conductor routing. Refer to Industrial Automation Wiring and Grounding Guidelines, publication [1770-4.1](#).

## Environmental Specifications – GuardPLC 1600 Controllers

Attribute	1753-L28BBB-M, 1753-L28BBB-P
Temperature, nonoperating <ul style="list-style-type: none"> <li>• IEC 60068-2-1 (Test Ab, Unpackaged nonoperating cold)</li> <li>• IEC 60068-2-2 (Test Bb, Unpackaged nonoperating dry heat)</li> <li>• IEC 60068-2-14 (Test Na, Unpackaged nonoperating thermal shock)</li> </ul>	-40...85 °C (-40...185 °F)
Temperature, operating <ul style="list-style-type: none"> <li>• IEC 60068-2-1 (Test Ad, operating cold)</li> <li>• IEC 60068-2-2 (Test Bd, operating dry heat)</li> <li>• IEC 60068-2-14 (Test Nb, operating thermal shock)</li> </ul>	0...60 °C (32...140 °F)
Temperature, surrounding air	60 °C (140 °F)
Vibration <ul style="list-style-type: none"> <li>• IEC 60068-2-6 (Test Fc, operating)</li> </ul>	1 g @ 10...150 Hz
Shock, operating <ul style="list-style-type: none"> <li>• IEC 60068-2-27 (Test Ea, unpackaged shock)</li> </ul>	15 g
Relative humidity <ul style="list-style-type: none"> <li>• IEC 60068-2-30 (Test Db, unpackaged damp heat)</li> </ul>	10...95% noncondensing
Emissions	CISPR 11: Group 1, Class A
ESD Immunity <ul style="list-style-type: none"> <li>• IEC 61000-4-2</li> </ul>	<ul style="list-style-type: none"> <li>• 6 kV contact discharges</li> <li>• 8 kV air discharges</li> </ul>
Radiated RF Immunity <ul style="list-style-type: none"> <li>• IEC 61000-4-3</li> </ul>	<ul style="list-style-type: none"> <li>• 10V/m with 1kHz sine-wave 80% AM from 80 MHz...2000 MHz</li> <li>• 1 V/m with 1 kHz sine-wave 80% AM from 2000...2700 MHz</li> </ul>
EFT/B Immunity <ul style="list-style-type: none"> <li>• IEC 61000-4-4</li> </ul>	<ul style="list-style-type: none"> <li>• ±2 kV @ 5 kHz on DC power ports</li> <li>• ±1 kV @ 5 kHz on signal ports</li> <li>• ±1 kV @ 5 kHz on communication ports</li> </ul>
Surge Transient Immunity <ul style="list-style-type: none"> <li>• IEC 61000-4-5</li> </ul>	<ul style="list-style-type: none"> <li>• ±500V line-line (DM) and ±500V line-earth (CM) on DC power ports</li> <li>• ±1 kV line-earth (CM) on signal ports</li> <li>• ±1 kV line-earth (CM) on communication ports</li> </ul>
Conducted RF Immunity <ul style="list-style-type: none"> <li>• IEC 61000-4-6</li> </ul>	10V rms with 1 kHz sine-wave 80% AM from 150 kHz...80 MHz
Damped Oscillatory Wave Immunity <ul style="list-style-type: none"> <li>• IEC 61000-4-12</li> </ul>	<ul style="list-style-type: none"> <li>• ±1 kV line-earth (CM) on signal ports</li> <li>• ±1 kV line-earth (CM) on power ports</li> </ul>

## Certifications

<b>Certification (when product is marked)<sup>(1)</sup></b>	<b>1753-L28BBB-M, 1753-L28BBB-P</b>
c-UL-us	UL Listed Industrial Control Equipment, certified for US and Canada. See UL File E65584.
CE	European Union 2004/108/EC EMC Directive, compliant with: <ul style="list-style-type: none"> <li>● EN 61326-1 Meas./Control/Lab., Industrial Requirements</li> <li>● EN 61000-6.2; Industrial Immunity</li> <li>● EN 61000-6-4; Industrial Emissions</li> <li>● EN 61131-2; Programmable Controllers (Clause 8, Zone A &amp; B)</li> </ul>
C-Tick	Australian Radiocommunications Act, compliant with: AS/NZS CISPR 11; Industrial Emissions
Functional Safety	Certified by TÜV <sup>(2)</sup> : up to and including SIL 3 according to IEC 61508 and Ple (Cat. 4) according to ISO 13849-1

(1) See the Product Certification link at <http://www.ab.com> for Declarations of Conformity, Certificates, and other certification details.

(2) When used with specified firmware revisions.

## Additional Resources

The table below provides a listing of publications that contain important information about GuardPLC systems.

Resource	Description
GuardPLC Controller Systems Safety Reference Manual, publication <a href="#">1753-RM002</a>	Detailed information regarding the safety certification of the GuardPLC System
GuardPLC Controller Systems User Manual, publication <a href="#">1753-UM001</a>	Detailed information on installing, wiring, configuring, operating, maintaining, and troubleshooting GuardPLC systems
Using RSLogix Guard PLUS! Software with GuardPLC Controllers Programming Manual, publication <a href="#">1753-PM001</a>	Detailed information on programming your GuardPLC system using RSLogix Guard PLUS! software
Industrial Automation Wiring and Grounding Guidelines, publication <a href="#">1770-4.1</a>	General guidelines for installing a Rockwell Automation industrial system

You can view or download publications at <http://www.rockwellautomation.com/literature>. To order paper copies of technical documentation, contact your local Rockwell Automation distributor or sales representative.

Allen-Bradley, Rockwell Software, Rockwell Automation, and GuardPLC are trademarks of Rockwell Automation, Inc.

Trademarks not belonging to Rockwell Automation are property of their respective companies.

Rockwell Otomasyon Ticaret A.Ş., Kar Plaza İş Merkezi E Blok Kat:6 34752 İçerenköy, İstanbul, Tel: +90 (216) 5698400

**[www.rockwellautomation.com](http://www.rockwellautomation.com)**

### Power, Control and Information Solutions Headquarters

Americas: Rockwell Automation, 1201 South Second Street, Milwaukee, WI 53204 USA, Tel: (1) 414.382.2000, Fax: (1) 414.382.4444

Europe/Middle East/Africa: Rockwell Automation, Vorstlaan/Boulevard du Souverain 36, 1170 Brussels, Belgium, Tel: (32) 2 663 0600, Fax: (32) 2 663 0640

Asia Pacific: Rockwell Automation, Level 14, Core F, Cyberport 3, 100 Cyberport Road, Hong Kong, Tel: (852) 2887 4788, Fax: (852) 2508 1846

Rockwell Automation Publication 1753-IN001C-EN-P - June 2010

PN-77076

Supersedes Publication 1753-IN001B-EN-P - March 2004

Copyright © 2010 Rockwell Automation, Inc. All rights reserved. Printed in the U.S.A.