



1756-ENBT ControlLogix EtherNet/IP Module

**Reduce Your Costs and
Simplify Your Network
Architecture**

Product Profile

Are you spending a bundle on maintenance and support? Is your network architecture becoming increasingly complex as you try to manage all of the data you need? If you're like many people who want to implement a control solution using Ethernet, you're not alone.

Do you need to transfer large amounts of data over Ethernet?

With the Allen-Bradley 1756-ENBT ControlLogix EtherNet/IP Module, you can, easily. The 1756-ENBT ControlLogix EtherNet/IP Module is an enhanced version of the 1756-ENET ControlLogix EtherNet/IP Module. This new version of the module communicates at a faster rate than its predecessor (10/100 Mbps full duplex vs. 10 Mbps half-duplex) and includes more on-board memory. These enhancements better enable you to transfer large amounts of informational messaging and time-critical I/O and control data simultaneously over a single EtherNet/IP network.

Do you want control capabilities on Ethernet?

The 1756-ENBT module allows you to:

- control distributed I/O
- perform high-speed processor interlocking
- route to devices on other NetLinx networks using EtherNet/IP as a backbone

With these capabilities, you can control, configure, and collect data on a single EtherNet/IP network!

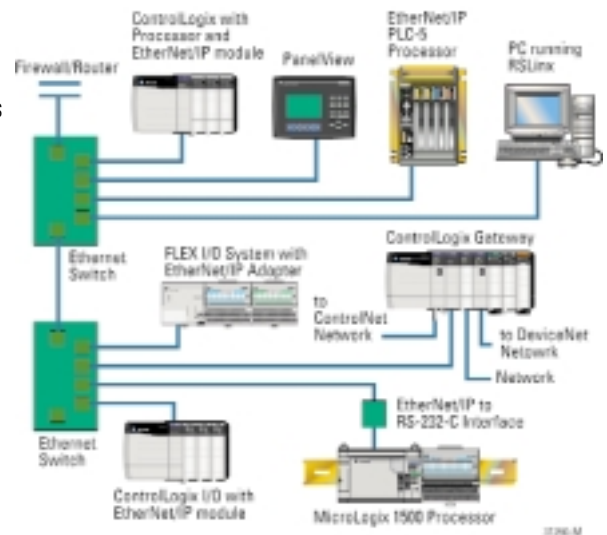
The module displays five-character diagnostic indicators that help you to troubleshoot

problems much more easily than with simple LED lights – saving time and minimizing any guesswork. And, to make things simple, the 1756-ENBT module is completely backward-compatible so you can replace 1756-ENET modules in your system with 1756-ENBT modules without modifying your current program(s)!¹

¹ Assuming that you are using a 1756-ENET/B module for I/O control and that your Ethernet profile is configured for compatible or disabled keying.

What can this module do for me?

The 1756-ENBT module can reside in a local chassis and function as a bridge to a ControlLogix processor or it can reside in a remote I/O chassis and act as a Remote I/O Adapter. As an adapter,



Bringing Together Leading Brands in Industrial Automation

you can use the 1756-ENBT module to remotely control ControlLogix input, output, analog, or specialty modules. You can also use it to configure and collect data.

Since you can fully leverage your existing Ethernet resources, your maintenance and support costs will be reduced. And because the module implements EtherNet/IP technology which provides additional control functions, you may need fewer networks to run your application. Ultimately, this can help you to simplify your network architecture.

Moreover, the 1756-ENBT module is web-enabled. Via a standard web browser, you can gather:

- module revision and status information
- module uptime, vendor, type and code information
- IP, subnet, gateway, and Ethernet address
- name server, bootp status
- 1756-L1 processor mode information
- diagnostic information (TCP, UDP, IP traffic, connection management, collision histogram, etc.)
- network storm information

This means that, using commercially available web browser software, you can access module, connection, and network information remotely from any Internet access location in the world, thereby simplifying network administration and maintenance support.

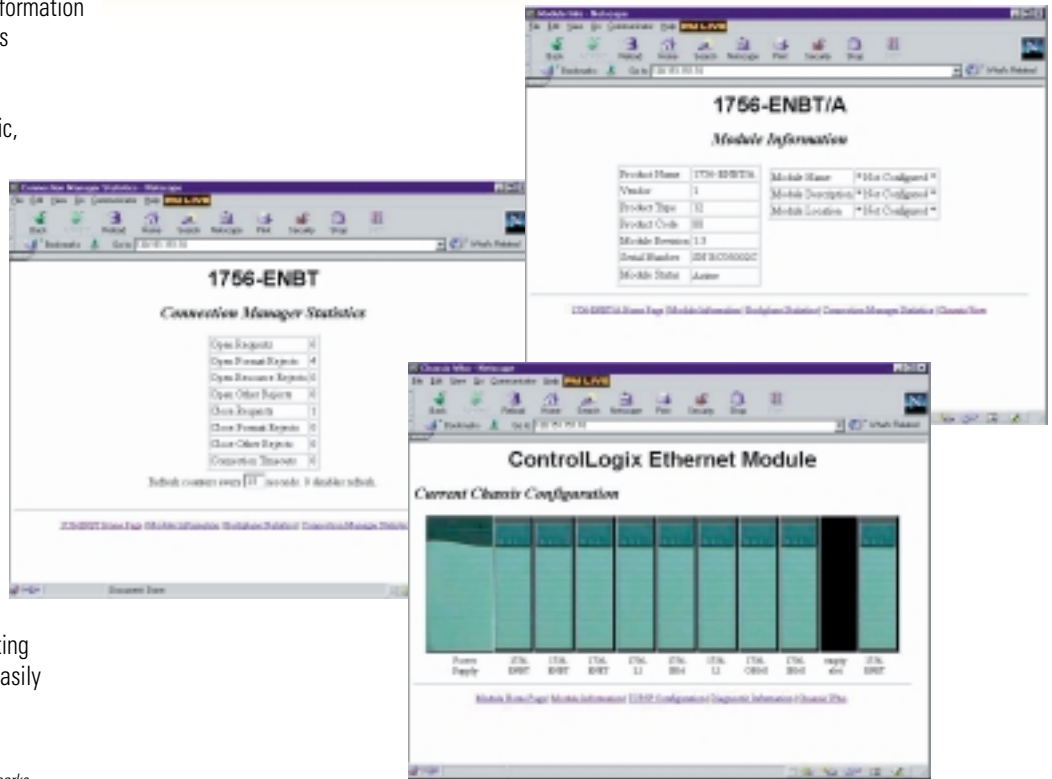
Product Highlights

- transfer control and information data simultaneously
- transfer control and information data quickly – 10/100 Mbps, full-duplex
- display diagnostics for easy troubleshooting
- configure network and I/O update time easily with RSLogix 5000
- configure module with bootp

Copyright 2001 Rockwell International Corporation. All trademarks and registered trademarks are property of their respective companies.

Product Specifications

Backplane Current	700mA @ 5Vdc, 10mA @ 24Vdc, 4.00W
Operating Temperature	0° to 60°C (32° to 140°F)
Storage Temperature	-40° to 85°C (-40° to 185°F)
Relative Humidity	5% to 95% non-condensing
Vibration	10 to 150Hz, 5.0G maximum peak acceleration
Operating Shock	30G peak for 11ms
Storage Shock	50G peak for 11ms
Agency Certification	insert symbols for UL, CSA, CSA hazardous, CE, FM, C-tick



Reach us now at www.rockwellautomation.com

Wherever you need us, Rockwell Automation brings together leading brands in industrial automation including Allen-Bradley controls, Reliance Electric power transmission products, Dodge mechanical power transmission components, and Rockwell Software. Rockwell Automation's unique, flexible approach to helping customers achieve a competitive advantage is supported by thousands of authorized partners, distributors and system integrators around the world.

Americas Headquarters, 1201 South Second Street, Milwaukee, WI 53201-2496, USA, Tel: (1) 414 382-2000, Fax: (1) 414-382-4444
European Headquarters SA/NV, Boulevard du Souverain 36, 1170 Brussels, Belgium, Tel: (32) 2 663 0600, Fax: (32) 2 663 0640
Asia Pacific Headquarters, 27/F Citicorp Centre, 18 Whitfield Road, Causeway Bay, Hong Kong, Tel: (852) 2887 4788, Fax: (852) 2508 1846

