



## Installation Instructions

# Logix5550 Memory Board (catalog number 1756-Mx)

### Before You Begin

The Logix5550™ memory board provides additional memory for program storage and operation in a Logix5550 controller. You can install only one memory board per controller.

**Important:** Either install the memory board before installing the controller in the chassis, or remove the controller from the chassis so you can install the memory board.

### What this package contains

You have one of these memory boards:

- 1756-M1 (512 Kbytes expansion memory) **or**  
1756-M2 (1 Mbytes expansion memory) **or**  
1756-M3 (2 Mbytes expansion memory)
- product ID label

### What you need

- 1756-L1 controller
- phillips screwdriver
- grounding wriststrap

# AB Spares

## Handling the memory board

Take these precautions to guard against ESD damage:

---

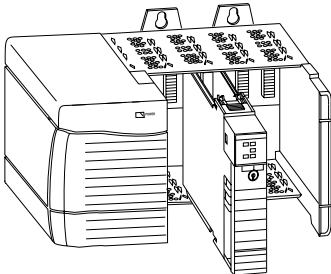


**ATTENTION:** Electrostatic discharge can damage the memory board if you touch the circuitry or connector pins without taking precautions. Follow these guidelines when you handle the memory board:

- Touch a grounded object to discharge potential static
  - Wear an approved grounding wriststrap
  - Do not touch the connectors or pins on the memory board or on the controller board
  - Do not touch circuit components inside the controller
  - If available, use a static-safe work station
  - When not in use, store the memory board in the anti-static packaging in which it was shipped
- 

## Installing the Memory Board

1. If necessary, remove the controller from the chassis. Press down the locking tabs on the top and bottom of the controller. Slide the controller out of the chassis



20880

You can install or remove ControlLogix™ system components while chassis power is applied and the system is operating. If you remove the controller, all the devices owned by the controller go to their configured faulted state.



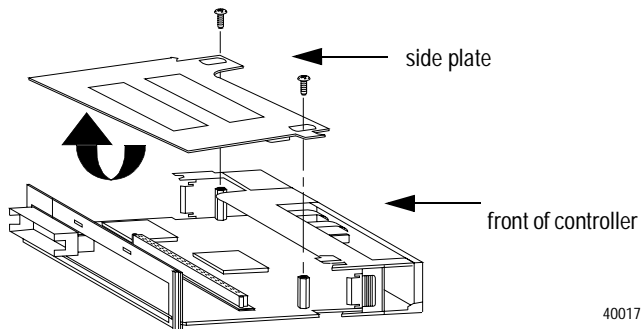
**ATTENTION:** When you insert or remove a module while backplane power is on, an electrical arc may occur. An electrical arc can cause personal injury or property damage by:

- sending an erroneous signal to your system's actuators causing unintended machine motion or loss of process control
- causing an explosion in a hazardous environment

Repeated electrical arcing causes excessive wear to contacts on both the module and its mating connector. Worn contacts may create electrical resistance that can affect module operation.

## 2. Remove the side plate of the controller.

Lay the controller on its side (with the label side facing up). While wearing a grounding wriststrap, remove the two screws that attach the side plate to the controller and rotate the side plate up. Pull the plastic back edge out slightly to remove the hinge tabs from the slots.



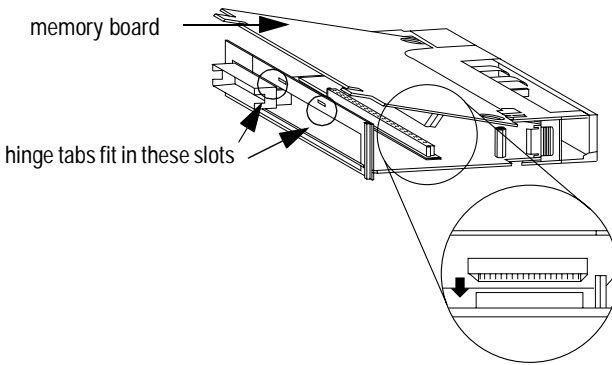
40017

# AB Spares

### 3. Install the memory board.

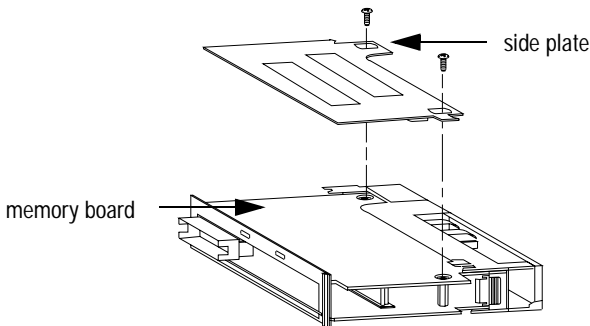
**Important:** If necessary, remove an existing memory board before installing the current board. Remove the card carefully, with minimal rocking motion, to avoid damaging the connectors.

Place the memory board over the connector and slide the memory board into the controller. Pull the plastic back edge out slightly to fit the hinge tabs in the slots. Make sure the tabs on the memory board extend through the slots. When the connectors line up, place your hands on the boards over the connectors and squeeze them together.



40018

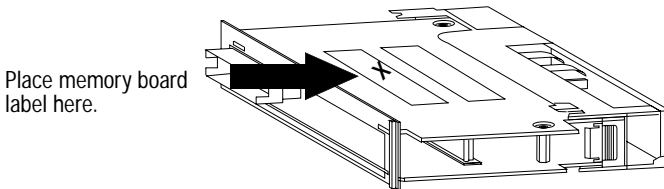
### 4. Replace the side plate and its screws. Make sure the hinge tabs on the side plate line up with the slots on the controller.



40019

**5. Place the memory board label on the side of the controller.**

This label identifies the memory board you installed. The controller label, that was already attached, identifies the controller.

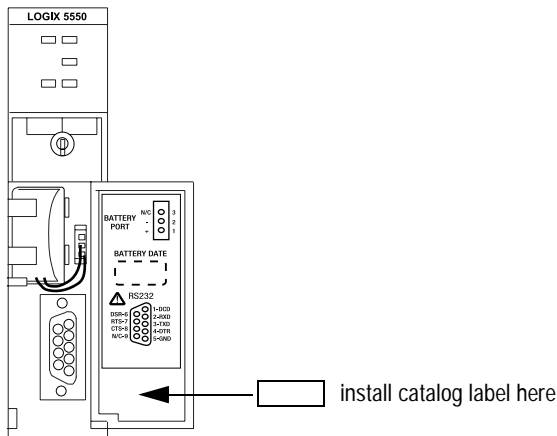


40020

**6. Place the catalog number label on the inside of the controller door.**

The catalog number label identifies the controller/memory board combination. Choose the catalog number label that matches the memory board you installed:

If you installed a:	Attach this label:
1756-M1 memory board	1756-L1M1
1756-M2 memory board	1756-L1M2
1756-M3 memory board	1756-L1M3



41025

**7. Insert the controller into the chassis. Apply power, if necessary.**





## Additional Documentation

The following documents are available for additional information about using a Logix5550 controller:

This document:	Publication number:
Logix5550 Controller Quick Start	1756-10.1
Logix5550 Controller Instruction Set Reference Manual	1756-6.4.1
Logix5550 Controller User Manual	1785-6.5.12

## Specifications

The 1756-Mx memory board is designed to work only with the 1756-L1 Logix5550 controller.

Description:	Value:
backplane current Add this current demand to that of the Logix5550 controller (1756-L1).	<b>+5V dc</b> 1756-M1 0.30A 1756-M2 0.40A 1756-M3 0.55A
temperature operating storage	0° to 60° C (32 to 140° F) -40° to 85° C (-40 to 185° F)
relative humidity	5% to 95% noncondensing
vibration	10 to 500 Hz 2.0 G maximum peak acceleration
shock operating storage	30G peak for 11ms 50G peak for 11ms
weight	1756-M1 2.5 oz. 1756-M2 2.5 oz. 1756-M3 2.7 oz.
agency certification (when product or packaging is marked) <sup>1</sup>	    Class I Division 2 Hazardous   marked for all applicable directive:

1. CSA certification - Class I Division 2, Group A, B, C, D or nonhazardous locations

## European Union Directive Compliance

If this product bears the CE marking, it is approved for installation within the European Union and EEA regions and has been designed and tested to meet the following directives.

### EMC Directive

This product is tested to meet Council Directive 89/336/EEC Electromagnetic Compatibility (EMC) and the following standards, in whole or in part, documented in a technical construction file:

- EN 50081-2EMC - Generic Emission Standard, Part 2 - Industrial Environment
- EN 50082-2EMC - Generic Immunity Standard, Part 2 - Industrial Environment

This product is intended for use in an industrial environment.

### Low Voltage Directive

This product is tested to meet Council Directive 73/23/EEC Low Voltage, by applying the safety requirements of EN 61131-2 Programmable Controllers, Part 2 - Equipment Requirements and Tests.



For specific information required by EN 61131-2, see the appropriate sections in this publication, as well as these Allen-Bradley publications:

- *Industrial Automation Wiring and Grounding Guidelines for Noise Immunity* (publication 1770-4.1)
- *Guidelines for Handling Lithium Batteries* (publication 1756-5.68)
- *Automation Systems Catalog*

This equipment is classified as open equipment and must be mounted in an enclosure during operation to provide safety protection.

# AB Spares

## CSA Hazardous Location Approval

CSA Hazardous Location Approval	Approbation d'utilisation dans des emplacements dangereux par la CSA
<p>CSA certifies products for general use as well as for use in hazardous locations. <b>Actual CSA certification is indicated by the product label</b> as shown below, and not by statements in any user documentation.</p>	<p>La CSA certifie les produits d'utilisation generale aussi bien que ceux qui s'utilisent dans des emplacements dangereux. La certification CSA en vigueur est indiquee par l'etiquette du produit et non par des affirmations dans la documentation a l'usage des utilisateurs.</p>
<p>Example of the CSA certification product label</p> 	<p>Exemple d'etiquette de certification d'un produit par la CSA:</p> 
<p>To comply with CSA certification for use in hazardous locations, the following information becomes a part of the product literature for this CSA-certified industrial control product.</p> <ul style="list-style-type: none"> <li>• This equipment is suitable for use in Class I, Division 2, Groups A, B, C, D, or non-hazardous locations only.</li> <li>• The products having the appropriate CSA markings (that is, Class I, Division 2, Groups A, B, C, D) are certified for use in other equipment where the suitability of combination (that is, application or use) is determined by the CSA or the local inspection office having jurisdiction.</li> </ul>	<p>Pour satisfaire a la certification de la CSA dans des endroits dangereux, les informations suivantes font partie integrante de la documentation ce produit industriel de controle certifie par la CSA.</p> <ul style="list-style-type: none"> <li>• Cet equipement convient a l'utilisation dans des emplacements de Classe 1, Division 2, Groupes A, B, C, D, ou ne convient qu'a l'utilisation dans des endroits non dangereux.</li> <li>• Les produits portant le marquage approprie de la CSA (c'est a dire, Classe 1, Division 2, Groupes A, B, C, D) sont certifies a l'utilisation pour d'autres equipements ou la convenance de combinaison (application ou utilisation) est determinee par la CSA ou le bureau local d'inspection qualifie.</li> </ul>
<p><b>Important:</b> Due to the modular nature of a programmable control system, the product with the highest temperature rating determines the overall temperature code rating of a programmable control system in a Class I, Division 2, location. The temperature code rating is marked on the product label as shown.</p>	<p><b>Important:</b> Par suite de la nature modulaire du systeme de controle programmable, le produit ayant le taux le plus eleve de temperature determine le taux d'ensemble du code de temperature du systeme de controle d'un programmable dans un emplacement de Classe 1, Division 2. Le taux du code de temperature est indique sur l'etiquette du produit.</p>



## CSA Hazardous Location Approval



CL I, DIV 2  
GP A, B, C, D  
TEMP



Look for temperature code rating here.

## Approbation d'utilisation dans des emplacements dangereux par la CSA



CL I, DIV 2  
GP A, B, C, D  
TEMP



Look for temperature code rating here.

The following warnings apply to products having CSA certification for use in hazardous locations.

Les avertissements suivants s'appliquent aux produits ayant la certification CSA pour leur utilisation dans des emplacements dangereux.



**ATTENTION:** Explosion hazard

- Substitution of components may impair suitability for Class I, Division 2.
- Do not replace components unless power has been switched off or the area is known to be non-hazardous.
- Do not disconnect equipment unless power has been switched off or the area is known to be non-hazardous.
- Do not disconnect connectors unless power has been switched off or the area is known to be non-hazardous. Secure any user-supplied connectors that mate to external circuits on this equipment by using screws, sliding latches, threaded connectors, or other means such that any connection can withstand a 15 Newton (3.4 lb.) separating force applied for a minimum of one minute.
- Batteries must only be changed in an area known to be non-hazardous.



**AVERTISSEMENT:** Risque d'explosion

- La substitution de composants peut rendre ce matériel inacceptable pour les emplacements de Classe I, Division 2.
- Couper le courant ou s'assurer que l'emplacement est désigné non dangereux avant de remplacer les composants.
- Avant de débrancher l'équipement, couper le courant ou s'assurer que l'emplacement est désigné non dangereux.
- Avant de débrancher les connecteurs, couper le courant ou s'assurer que l'emplacement est reconnu non dangereux. Attacher tous connecteurs fournis par l'utilisateur et reliés aux circuits externes de cet appareil à l'aide de vis, loquets coulissants, connecteurs filetés ou autres moyens permettant aux connexions de résister à une force de séparation de 15 newtons (3,4 lb. - 1,5 kg) appliquée pendant au moins une minute.
- Afin d'éviter tout risque d'explosion, s'assurer que l'emplacement est désigné non dangereux avant de changer la batterie.

# AB Spares

ControlLogix and Logix5550 are trademarks of the Allen-Bradley Company, Inc., a Rockwell International company.

CSA logo is a registered trademark of the Canadian Standards Association.

 **Rockwell** Automation

**Allen-Bradley**

Worldwide representation.



Argentina • Australia • Austria • Bahrain • Belgium • Brazil • Bulgaria • Canada • Chile • China, PRC • Colombia • Costa Rica • Croatia • Cyprus • Czech Republic • Denmark • Ecuador • Egypt • El Salvador • Finland • France • Germany • Greece • Guatemala • Honduras • Hong Kong • Hungary • Iceland • India • Indonesia • Ireland • Israel • Italy • Jamaica • Japan • Jordan • Korea • Kuwait • Lebanon • Malaysia • Mexico • Netherlands • New Zealand • Norway • Pakistan • Peru • Philippines • Poland • Portugal • Puerto Rico • Qatar • Romania • Russia-CIS • Saudi Arabia • Singapore • Slovakia • Slovenia • South Africa, Republic • Spain • Sweden • Switzerland • Taiwan • Thailand • Turkey • United Arab Emirates • United Kingdom • United States • Uruguay • Venezuela • Yugoslavia

Allen-Bradley Headquarters, 1201 South Second Street, Milwaukee, WI 53204 USA,

Tel: (1) 414 382-2000 Fax: (1) 414 382-4444