



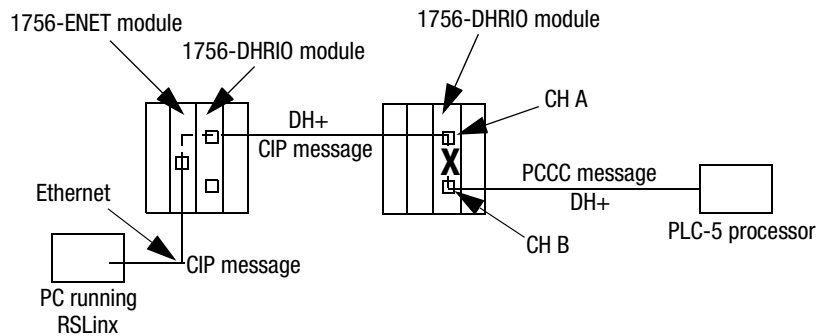
ControlLogix Data Highway Plus/RIO Communication Interface Module

Use this document along with the ControlLogix Data Highway Plus/RIO™ Communication Module User Manual, publication number 1756-6.5.14. The information applies to 1756-DHRIO/B release 2.17.

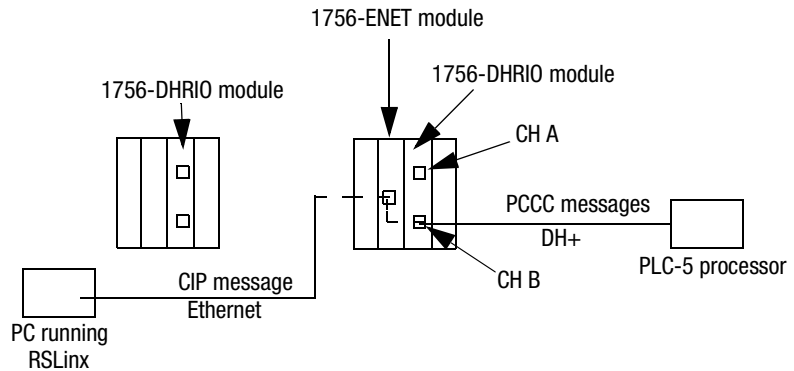
Using RSLinx Software to Send Control and Information Protocol Messages

The 1756-DHRIO module cannot receive Control and Information Protocol (CIP) messages on one of its DH+ channels to send as Programmable Controller Communication Command (PCCC) messages out of its second DH+ channel.

RSLinx™ uses the CIP protocol when it sends messages via Ethernet or ControlNet. Therefore, it cannot route an RSWho message from a 1756-ENET module to one 1756-DHRIO module, to channel A of a second 1756-DHRIO module in a second chassis, and then out of channel B of the second 1756-DHRIO module (see the **X** in the figure below).



To do this, instead use the 1756-ENET module to connect to a second ControlLogix Gateway that contains the second DH+ module.



Minimizing False Received Frame with Bad CRC Messages

A 1756-DHRIO that communicates with a 1784-KT or 1784-PCMK communication card on its DH+ link may receive the following error message: **Received Frame with Bad CRC**. This error does not affect DH+ link operations. To minimize its occurrence, make certain that the DH+ link is terminated properly.

Maintaining PCCC Message Sequences

The 1756-DHRIO module does not necessarily send PCCC messages in the same order in which it receives them. To ensure proper sequencing, wait for the PCCC response to the initial PCCC message before you send another PCCC request.

Ethernet is a registered trademark of Digital Equipment Corporation, Intel and Xerox Corporation. Data Highway Plus, DH+, and ControlLogix are trademarks of Allen-Bradley Company, Inc. RSLinx is a trademark of Rockwell Software.



Rockwell Automation helps its customers receive a superior return on their investment by bringing together leading brands in industrial automation, creating a broad spectrum of easy-to-integrate products. These are supported by local technical resources available worldwide, a global network of system solutions providers, and the advanced technology resources of Rockwell.

Worldwide representation.



Argentina • Australia • Austria • Bahrain • Belgium • Bolivia • Brazil • Bulgaria • Canada • Chile • China, People's Republic of • Colombia • Costa Rica • Croatia • Cyprus • Czech Republic • Denmark • Dominican Republic • Ecuador • Egypt • El Salvador • Finland • France • Germany • Ghana • Greece • Guatemala • Honduras • Hong Kong • Hungary • Iceland • India • Indonesia • Iran • Ireland • Israel • Italy • Jamaica • Japan • Jordan • Korea • Kuwait • Lebanon • Macau • Malaysia • Malta • Mexico • Morocco • The Netherlands • New Zealand • Nigeria • Norway • Oman • Pakistan • Panama • Peru • Philippines • Poland • Portugal • Puerto Rico • Qatar • Romania • Russia • Saudi Arabia • Singapore • Slovakia • Slovenia • South Africa, Republic of • Spain • Sweden • Switzerland • Taiwan • Thailand • Trinidad • Tunisia • Turkey • United Arab Emirates • United Kingdom • United States • Uruguay • Venezuela

Rockwell Automation Headquarters, 1201 South Second Street, Milwaukee, WI 53204 USA, Tel: (1) 414 382-2000, Fax: (1) 414 382-4444

Rockwell Automation European Headquarters SA/NV, avenue Herrmann Debrouxlaan, 46, 1160 Brussels, Belgium, Tel: (32) 2 663 06 00, Fax: (32) 2 663 06 40

Rockwell Automation Asia Pacific Headquarters, 27/F Citicorp Centre, 18 Whitfield Road, Causeway Bay, Hong Kong, Tel: (852) 2887 4788, Fax: (852) 2508 1846