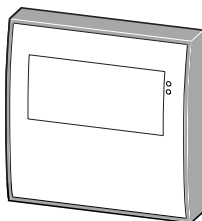
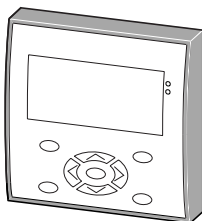


Installation Instructions
Montageanweisung
Notice d'installation

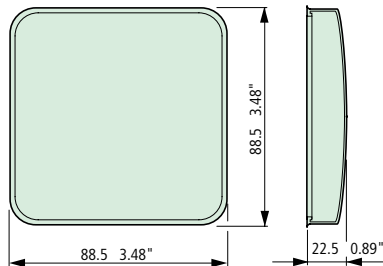
Istruzioni per il montaggio
Instrucciones de montaje



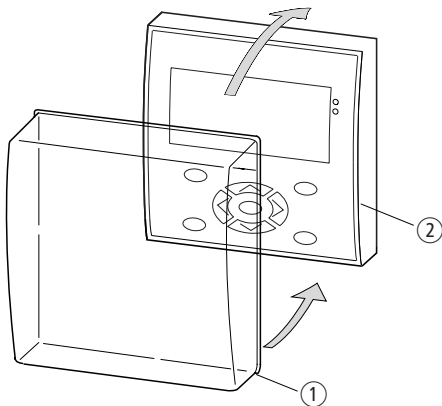
1760-NDM



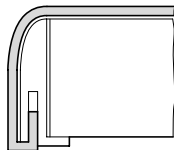
Dimensions – Abmessungen –
Dimensioni – Dimensiones



Membrane – Calotte – Membran



- ① 1760-NDM
- ② 1760-DU...



NEMA Type 4X

Caution!

Ensure that the membrane fits snugly in the groove of the display/operating unit.

Otherwise a proper seal cannot be guaranteed and particles may enter underneath the membrane. This may cause malfunctions in the keypad.

In food industry applications, there is the risk of bacteria building up underneath the membrane.