

PRODUCT PROFILE

1761-NET-ENI AND 1761-NET-ENIW

EtherNet/IP Communication Interface

The 1761-NET-ENI provides EtherNet/IP connectivity for SLC™ 500, CompactLogix™ and MicroLogix™ controllers, as well as other DF1™ full-duplex devices. The ENI allows users to easily connect to new or existing Ethernet networks and upload/download programs, communicate between controllers, and generate Email messages via SMTP (simple mail transport protocol).

With the 1761-NET-ENIW you benefit from the same features of the ENI, and also gain fixed-format Web-server functionality, designed for easy integration with Allen-Bradley controllers. The Web-server features of the ENIW provide powerful read/write accessibility from the Internet, providing the ability to monitor and adjust machine operation from any Internet-connected computer.

As with other Allen-Bradley communication devices, the ENI can be powered via the RS-232™ communications cable when attached to a MicroLogix controller, or externally with 24V dc when connected to other DF1 full duplex devices. It can be DIN rail mounted, or panel mounted to meet virtually any installation requirement.

Both the ENI and the ENIW provide EtherNet/IP compatibility, allowing exchange of information with other Allen-Bradley Ethernet controllers in a peer-to-peer relationship, eliminating the need for a master type device.



FEATURES - ENI or ENIW

- 100 Base-T Port with embedded LEDs allows connection to your network through any standard RJ45 Ethernet cable, and embedded LEDs provide easy to see link and transmit/receive status.
- RS-232 port provides isolation and will autobaud on power up to detect the communications port setting of the attached controller.
- Ability to force Ethernet to 10 Mbps or 100 Mbps and half-duplex or full-duplex (default is Auto Negotiate).
- Configuration over Ethernet with a configuration security mask provision.
- Diagnostic page displays module information and Ethernet connections in use.

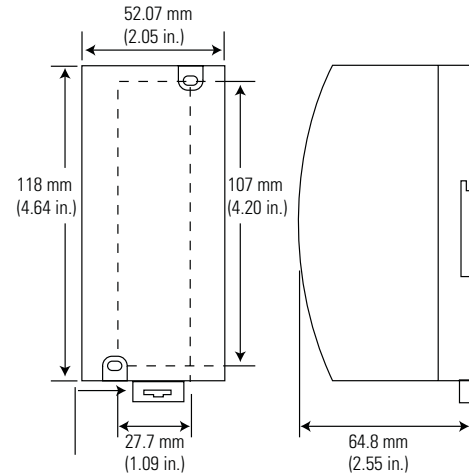
FEATURES - ENIW ONLY

- Fixed-format pages are easily customized using the new ENIW utility. No HTML programming skills are needed.
- Home page provides for user defined links to URLs, and most pages offer user defined page names.
- Four data view pages allow display of user text and integer/floating point data, and allow data to be written to the attached controller. Data writes may be password protected (one password per page). Data view pages provide for a user selectable update interval and update timer (indication of communications).
- Event page provides a log of events composed of up to 50 string elements.

SPECIFICATIONS

| | |
|------------------------------------|---------------------------------------|
| | 1761-NET-ENI and 1761-NET-ENIW |
| 100 Base-T(RJ45) Port | 10/100M Hz |
| RS-232C Port | 2400, 4800, 9600, 19.2K, 38.4K baud |
| Standards | IEC801-2, 3, 4, 5, 6 |
| Power consumption | 100mA @ 24V dc |
| Temperature (operation / storage) | 0 to 60°C / -40 to 85°C |
| Operating Humidity | 55% to 95% non-condensing |
| Standards and Regulatory Approvals | UL, C-UL, CE, Class 1 Div 2 |

DIMENSIONS FOR ENI AND ENIW



WEB PAGE AND UTILITY FOR ENIW

Page 1: APRS Current Process Values

| Data Description | Writes from Controller | Writes to Controller |
|-----------------------------------|------------------------|----------------------|
| Manifold Pressure (PSI) | 49 | N50:00 |
| Reference Cylinder Pressure (PSI) | 39 | N50:01 |
| Nurse Tank Pressure (PSI) | 28 | N50:02 |
| Differential Pressure (PSI) | 62 | N50:03 |
| Nurse Tank Level (%) | 62 | N50:04 |
| Compressor Status (1=ON / 0=OFF) | 1 | N50:05 |
| Compressor Oil Pressure (PSI) | 62 | N50:06 |
| Flow Rate (GPM) | 0.000000 | F51:00 |
| Not Used | 0.000000 | F51:01 |
| Not Used | 0.000000 | F51:02 |

Enter auto-refresh rate in seconds: 10

Password required to submit writes: DISABLE

Only values CHANGED will be affected

Write to Device

Clear Values

Clear all values

Update Timer: 0

Copyright © 2005 Rockwell Automation, Inc. All Rights Reserved.

ENI / ENIW Utility

| Definition | Value |
|-----------------|-------------------------------------|
| Page 1 Title | Page 1: APRS Current Process Values |
| Page 1 Password | 1234 |
| Page 2 Title | |
| Page 2 Password | |

ENI / ENIW Utility

| Location | Value |
|-------------------|-----------------------------------|
| Page 1 Row 1 Name | Manifold Pressure (PSI) |
| Page 1 Row 2 Name | Reference Cylinder Pressure (PSI) |
| Page 1 Row 3 Name | Nurse Tank Pressure (PSI) |
| Page 1 Row 4 Name | Differential Pressure (PSI) |
| Page 1 Row 5 Name | Nurse Tank Level (%) |

www.rockwellautomation.com

Power, Control and Information Solutions

Americas: Rockwell Automation, 1201 South Second Street, Milwaukee, WI 53204-2496 USA, Tel: (1) 414.382.2000, Fax: (1) 414.382.4444
 Europe/Middle East/Africa: Rockwell Automation SA/NV, Vorstlaan/Boulevard du Souverain 36, 1170 Brussels, Belgium, Tel: (32) 2 663 0600, Fax: (32) 2 663 0640
 Asia Pacific: Rockwell Automation, Level 14, Core F, Cyberport 3, 100 Cyberport Road, Hong Kong, Tel: (852) 2887 4788, Fax: (852) 2508 1846