



Allen-Bradley

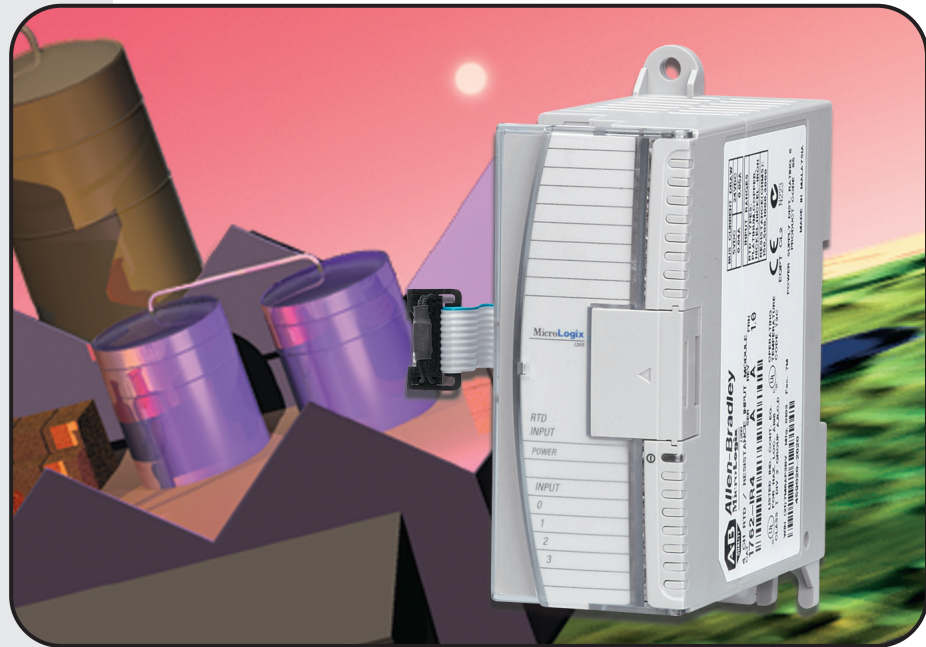
MicroLogix 1200 1762-IR4 RTD

Resistance Input Module

The 1762-IR4 RTD/Resistance Input Module expands the control capabilities of your MicroLogix 1200 controller by allowing you to directly interface with any of twelve types of RTD temperature sensors or resistance sensors.

Advantages

- **Software Configurable**
RSLogix 500 allows users to choose the RTD type, filtering frequency, data format, and status data best suited for your application.
- **Diagnostic Feedback**
Reduces downtime and time spent troubleshooting.
- **Ready to Use**
This new four-channel module is compatible with your existing MicroLogix 1200 controller and requires no updates to hardware, firmware, or RSLogix 500 programming software.
- **Excellent Accuracy Range**
From $\pm 0.2^{\circ}\text{C}$ to $\pm 0.6^{\circ}\text{C}$ (at 25°C), depending on RTD input type.
- **Automatic Calibration**
The 1762-IR4 module is factory calibrated and can be programmed to perform auto calibration on a cyclical or noncyclical basis in order to maintain accuracy.
- **Choice of Filter Frequencies**
Allows low filter frequencies to be used for high noise environments and high filter frequencies when fast module updates are required.



1762

1762-IR4

This module greatly enhances the capability of the MicroLogix 1200. The 1762-IR4 provides a very cost effective and compact means of addressing process applications that require temperature measurement and control. It also provides the capability for accepting millivolt signals that are not within the application window of standard analog modules.

Diagnostic feedback increases machine uptime and reduces the amount of time spent troubleshooting. Each channel can be individually configured using RSLogix 500 programming software. User-friendly configuration screens allow you to choose the RTD type, filtering frequency, data format, and status data best suited for your application. On-board scaling is also provided, eliminating the need to program this function with complex ladder programming.

**Rockwell
Automation**

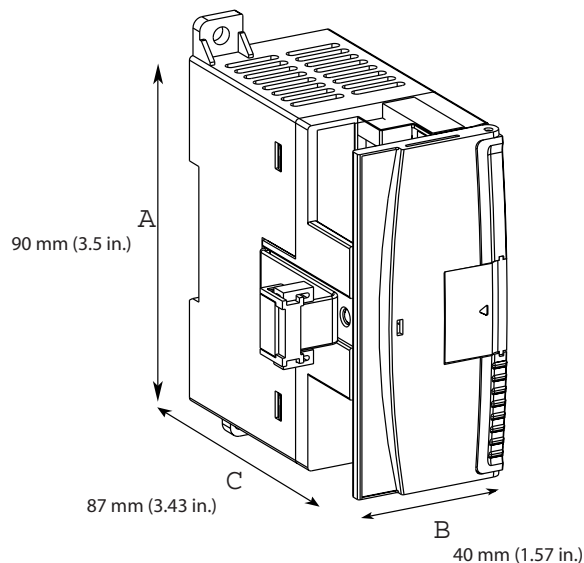
100 Years
1903 - 2003

Allen-Bradley

Allen-Bradley Motor
Product Profile

Product Specifications

Number of Channels	4
Controller Compatibility	MicroLogix 1200
RTD/Resistance Compatibility	Platinum (385, 3916), Nickel (618, 672), Nickel-Iron (518), Copper(426), 0-3000 ohm resistance input
Accuracy at 25°C	Ranges from $\pm 0.2^{\circ}\text{C}$ to $\pm 0.6^{\circ}\text{C}$ ($\pm 0.36^{\circ}\text{F}$ to $\pm 1.08^{\circ}\text{F}$) depending on RTD type
Accuracy at 0-60°C (32°F-140°F)	Ranges from $\pm 0.2^{\circ}\text{C}$ to $\pm 1.1^{\circ}\text{C}$ ($\pm 0.72^{\circ}\text{F}$ to $\pm 1.98^{\circ}\text{F}$) depending on RTD type
Channel Update Time	7 msec to 303 msec per enabled channel (dependent on filter selection)
Diagnostics	Over and under-range status bits, and broken sensor detection
Auto-Calibration	With module configuration change or cyclical (every five minutes)
Common Mode Noise Rejection	>110 dB at 50/60 Hz (with 10 Hz, 50 Hz filter)
Normal Mode Noise Rejection	>70 dB at 50/60 Hz (with 10 Hz, 50 Hz filter)
Isolation (Input to backplane)	707V dc for 1 minute
Channel to Channel	$\pm 10\text{V}$ dc



www.rockwellautomation.com

Corporate Headquarters

Rockwell Automation, 777 East Wisconsin Avenue, Suite 1400, Milwaukee, WI, 53202-5302 USA, Tel: (1) 414.212.5200, Fax: (1) 414.212.5201

Headquarters for Allen-Bradley Products, Rockwell Software Products and Global Manufacturing Solutions

Americas: Rockwell Automation, 1201 South Second Street, Milwaukee, WI 53204-2496 USA, Tel: (1) 414.382.2000, Fax: (1) 414.382.4444

Europe/Middle East/Africa: Rockwell Automation SA/NV, Vorstlaan/Boulevard du Souverain 36, 1170 Brussels, Belgium, Tel: (32) 2 663 0600, Fax: (32) 2 663 0640

Asia Pacific: Rockwell Automation, 27/F Citicorp Centre, 18 Whitfield Road, Causeway Bay, Hong Kong, Tel: (852) 2887 4788, Fax: (852) 2508 1846

Headquarters for Dodge and Reliance Electric Products

Americas: Rockwell Automation, 6040 Ponders Court, Greenville, SC 29615-4617 USA, Tel: (1) 864.297.4800, Fax: (1) 864.281.2433

Europe/Middle East/Africa: Rockwell Automation, Brühlstraße 22, D-74834 Elztal-Dallau, Germany, Tel: (49) 6261 9410, Fax: (49) 6261 17741

Asia Pacific: Rockwell Automation, 55 Newton Road, #11-01/02 Revenue House, Singapore 307987, Tel: (65) 6356-9077, Fax: (65) 6356-9011