



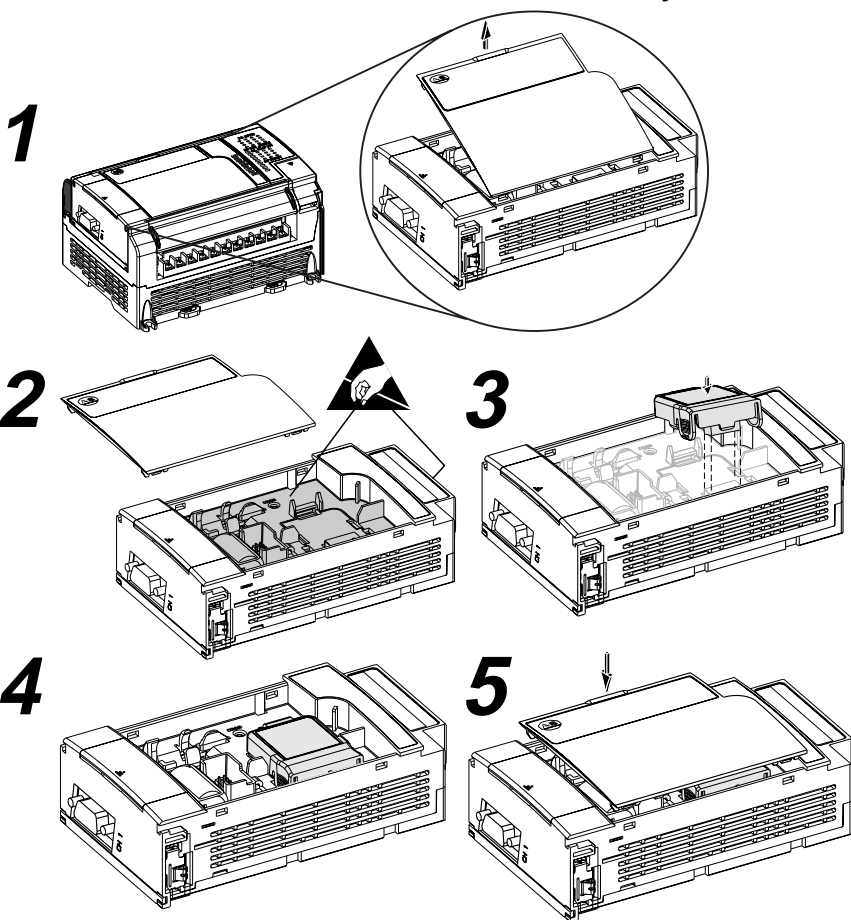
Installation Instructions

MicroLogix™ 1500 Memory Module and/or Real Time Clock

for/pour/für/per/para 1764-LRP, 1764-LSP

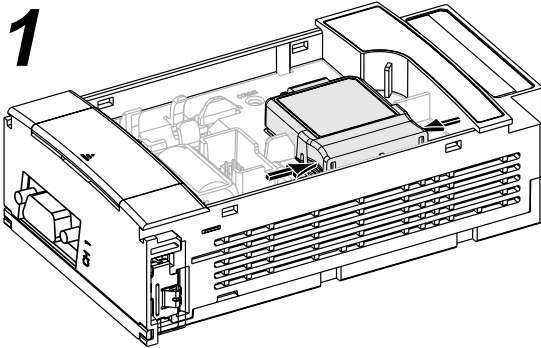
(1764-MM1, 1764-MM2, 1764-MM1RTC, 1764-MM2RTC, 1764-RTC)

Installation/Einbau/Installazione/Instalación/Instalação

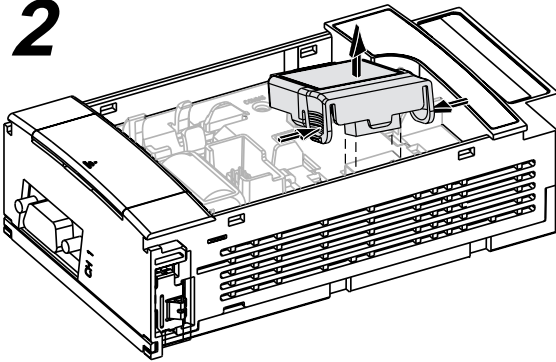


Removal/Démontage/Ausbau/Rimozione/Extracción/Remoção

1



2



MicroLogix is a trademark of Rockwell Automation.

www.rockwellautomation.com

Power, Control and Information Solutions Headquarters

Americas: Rockwell Automation, 1201 South Second Street, Milwaukee, WI 53204-2496 USA, Tel: (1) 414.382.2000, Fax: (1) 414.382.4444

Europe/Middle East/Africa: Rockwell Automation, Vorstlaan/Boulevard du Souverain 36, 1170 Brussels, Belgium, Tel: (32) 2 663 0600, Fax: (32) 2 663 0640

Asia Pacific: Rockwell Automation, Level 14, Core F, Cyberport 3, 100 Cyberport Road, Hong Kong, Tel: (852) 2887 4788, Fax: (852) 2508 1846

Publication 1764-IN003A-ML-P - February 2000

PN 40072-081-01 (A)

Supersedes Publication 1764-5.4 - September 1998

© 2006 Rockwell Automation. All rights reserved. Printed in Singapore.

