



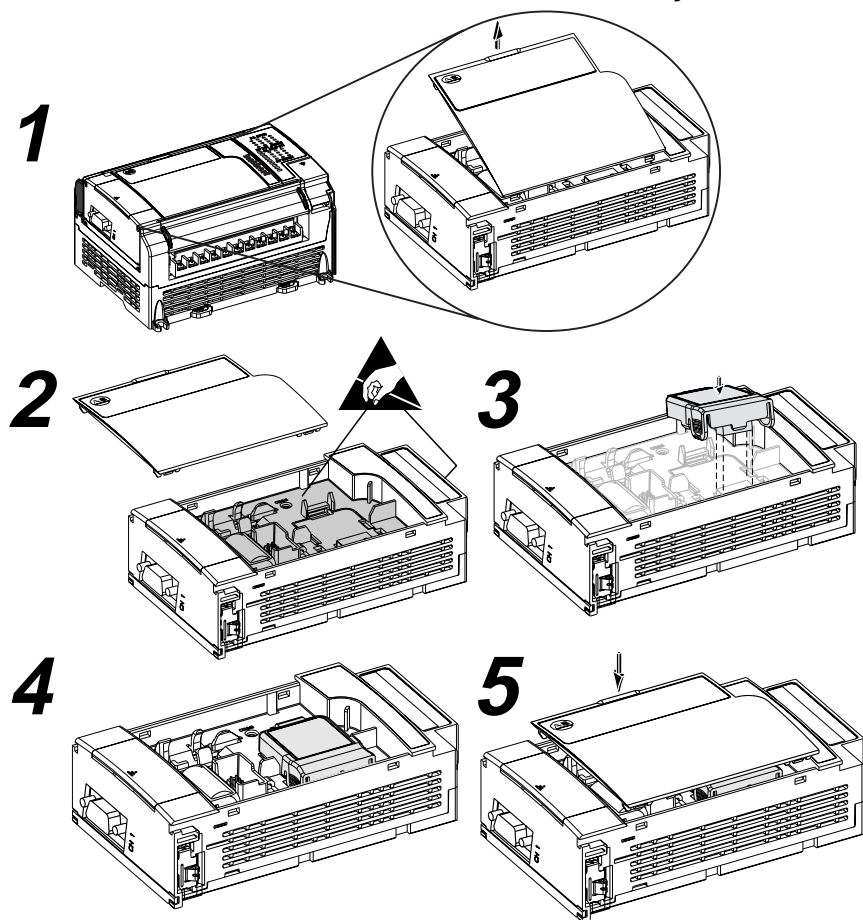
Installation Instructions

MicroLogix™ 1500 Memory Module and/or Real Time Clock

for/pour/für/per/para 1764-LRP, 1764-LSP

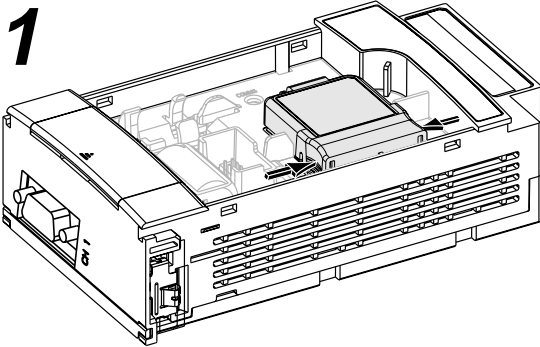
(1764-MM1, 1764-MM2, 1764-MM1RTC, 1764-MM2RTC, 1764-RTC)

Installation/Einbau/Installazione/Instalación/Instalação

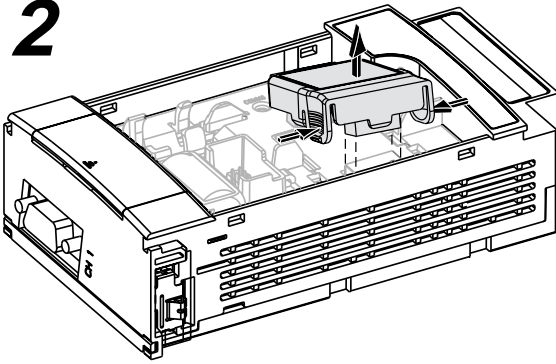


Removal/Démontage/Ausbau/Rimozione/Extracción/Remoção

1



2



MicroLogix is a trademark of Rockwell Automation.

Reach us now at www.rockwellautomation.com

Wherever you need us, Rockwell Automation brings together leading brands in industrial automation including Allen-Bradley controls, Reliance Electric power transmission products, Dodge mechanical power transmission components, and Rockwell Software. Rockwell Automation's unique, flexible approach to helping customers achieve a competitive advantage is supported by thousands of authorized partners, distributors and system integrators around the world.

Americas Headquarters, 1201 South Second Street, Milwaukee, WI 53204, USA, Tel: (1) 414 382-2000, Fax: (1) 414 382-4444
European Headquarters SA/NV, avenue Herrmann Diebroux, 46, 1160 Brussels, Belgium, Tel: (32) 2 663 06 00, Fax: (32) 2 663 06 40
Asia Pacific Headquarters, 27/F Citicorp Centre, 18 Whitfield Road, Causeway Bay, Hong Kong, Tel: (852) 2887 4788, Fax: (852) 2508 1846

Publication 1764-IN003A-ML-P - February 2000

Supersedes Publication 1764-5.4 - September 1998



**Rockwell
Automation**

PN 40072-081-01 (A)

© 2000 Rockwell International Corporation. Printed in the U.S.A.

