



Installation Instructions

1769 Compact I/O Communication Bus Expansion Cables

(Cat. No. 1769-CRR1, 1769-CRR3, 1769-CLL1, 1769-CLL3,
1769-CRL1, 1769-CRL3)

Inside ...

For More Information	2
Hazardous Location Considerations	3
Environnements dangereux	3
Overview	4
Cable Types and Lengths	4
System Configurations	5
Installation	6

For More Information

For	Refer to this Document	Pub. No.
Information on installing and operating your Compact 1769-IA16 module.	Compact 1769-IA16 120V ac Input Module Installation Instructions	1769-5.1
Information on installing and operating your Compact 1769-OW8 module.	Compact 1769-OW8 AC/DC Relay Output Module Installation Instructions	1769-5.2
Information on installing and operating your Compact 1769-IQ16 module.	Compact 1769-IQ16 24V dc Sink/Source Input Module Installation Instructions	1769-5.3
Information on installing and operating your Compact 1769-OB16 module.	Compact 1769-OB16 Solid State 24V dc Source Output Module Installation Instructions	1769-5.4
Information on installing and operating your Compact 1769-OA8 module.	Compact 1769-OA8 100 to 240V ac Solid State Output Module Installation Instructions	1769-5.5
Information on installing and operating your Compact 1769-OV16 module.	Compact 1769-OV16 Solid State 24V dc Sink Output Module Installation Instructions	1769-5.6
Information on installing and operating your Compact 1769-IQ6XOW4 module.	Compact 1769-IQ6XOW4 24V dc Sink/Source Input AC/DC Relay Output Module Installation Instructions	1769-5.7
Information on installing and operating your Compact 1769-IM12 module.	Compact 1769-IM12 240V ac Input Module Installation Instructions	1769-5.8
Information on installing and operating Compact I/O Power Supplies.	Compact 1769 Expansion I/O Power Supplies	1769-5.14
Information on installing Compact I/O End Cap/Terminators.	Compact I/O End Caps/Terminators Installation Instructions	1769-5.16
Detailed information on installing, configuring, and troubleshooting your Compact Analog I/O modules.	Compact™ I/O Analog Modules User Manual	1769-6.0
A detailed description of how to install and use your Compact I/O with MicroLogix 1500 programmable controller.	MicroLogix 1500 Programmable Controllers User Manual	1764-6.1
More information on proper wiring and grounding techniques.	Industrial Automation Wiring and Grounding Guidelines	1770-4.1

If you would like a manual, you can:

- download a free electronic version from the internet:
www.ab.com/micrologix or **www.theautomationbookstore.com**
- purchase a printed manual by:
 - contacting your local distributor or Rockwell Automation representative
 - visiting **www.theautomationbookstore.com** and placing your order
 - calling 1.800.963.9548 (USA/Canada) or
001.330.725.1574 (Outside USA/Canada)

Hazardous Location Considerations

This equipment is suitable for use in Class I, Division 2, Groups A, B, C, D or non-hazardous locations only. The following ATTENTION statement applies to use in hazardous locations.



ATTENTION: EXPLOSION HAZARD

- Substitution of components may impair suitability for Class I, Division 2.
- Do not replace components or disconnect equipment unless power has been switched off.
- Do not connect or disconnect components unless power has been switched off.
- This product must be installed in an enclosure.

Environnements dangereux

Cet équipement est conçu pour être utilisé dans des environnements de Classe 1, Division 2, Groupes A, B, C, D ou non dangereux. La mise en garde suivante s'applique à une utilisation dans des environnements dangereux.



ATTENTION: DANGER D'EXPLOSION

- La substitution de composants peut rendre cet équipement impropre à une utilisation en environnement de Classe 1, Division 2.
 - Ne pas remplacer de composants ou déconnecter l'équipement sans s'être assuré que l'alimentation est coupée.
 - Ne pas connecter ou déconnecter des composants sans s'être assuré que l'alimentation est coupée.
 - Ce produit doit être installé dans une armoire.
-

Overview

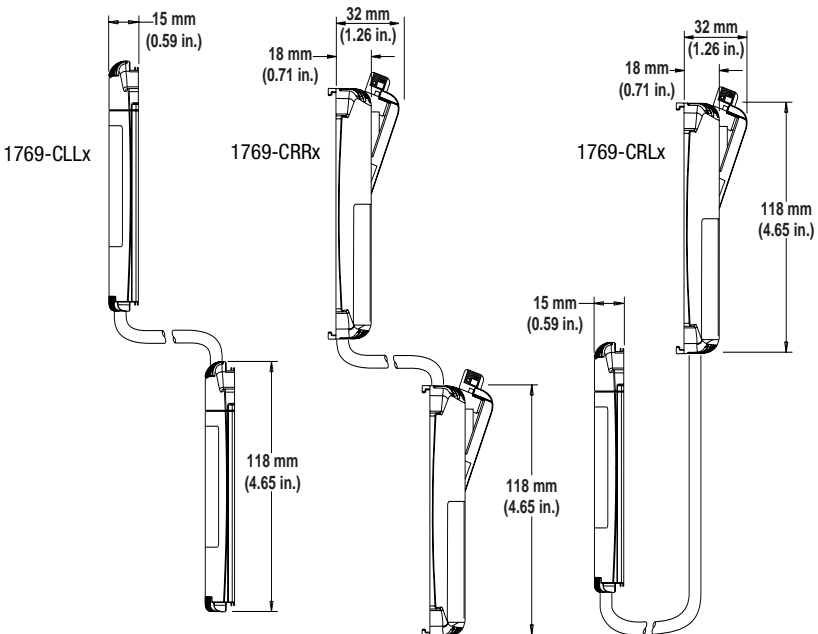
The 1769-CLLx, -CRRx, and -CRLx cables extend the 1769 bus communication lines. A maximum of two cables can be used in a 1769 system, allowing for three groups or banks of I/O modules. Each bank requires its own power supply. See System Configurations on page 5.

- Note:**
- Some controllers do not support three I/O banks. Refer to your controller's manual for details.
 - Some controllers provide power to the I/O bank. Refer to your controller's manual for details.

Cable Types and Lengths

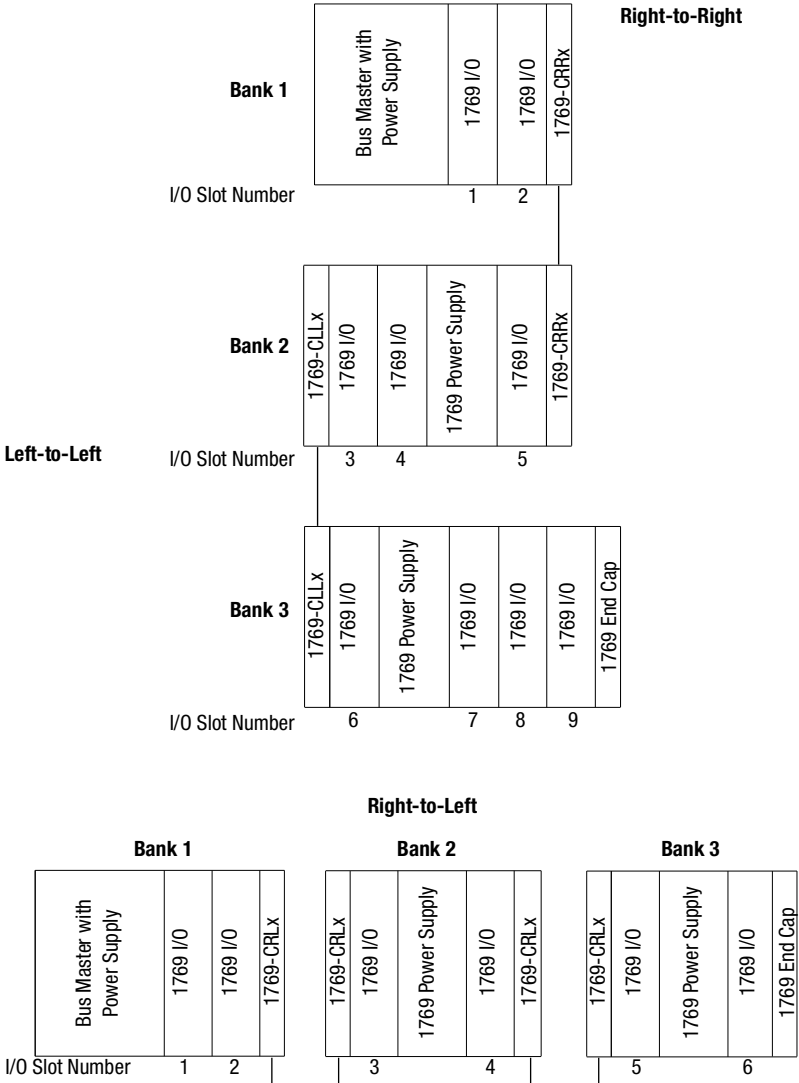
Catalog Number	Cable Type	Length ⁽¹⁾
1769-CLL1	Left bank-to-left bank expansion	305 mm (1 ft.)
1769-CLL3	Left bank-to-left bank expansion	1 m (3.28 ft.)
1769-CRR1	Right bank-to-right bank expansion	305 mm (1 ft.)
1769-CRR3	Right bank-to-right bank expansion	1 m (3.28 ft.)
1769-CRL1	Right bank-to-left bank expansion	305 mm (1 ft.)
1769-CRL3	Right bank-to-left bank expansion	1 m (3.28 ft.)

⁽¹⁾ Approximate cable length is measured from end-to-end of the cable only.



System Configurations

The following illustration show examples of two valid system setups.



- Note:**
- When configuring your system using a MicroLogix 1500 controller, only one expansion cable, one expansion power supply, and a maximum of eight I/O modules may be used allowing for two banks of I/O modules (maximum).

Installation

Prevent Electrostatic Discharge



ATTENTION: Electrostatic discharge can damage integrated circuits or semiconductors if you touch bus connector pins or the terminal block. Follow these guidelines when handling 1769 Compact I/O components:

- Touch a grounded object to discharge static potential.
 - Wear an approved wrist-strap grounding device.
 - Do not touch the bus connector or connector pins.
 - Do not touch circuit components inside the module.
 - If available, use a static-safe workstation.
 - When not in use, keep cables in static shield packaging.
-

Remove Power



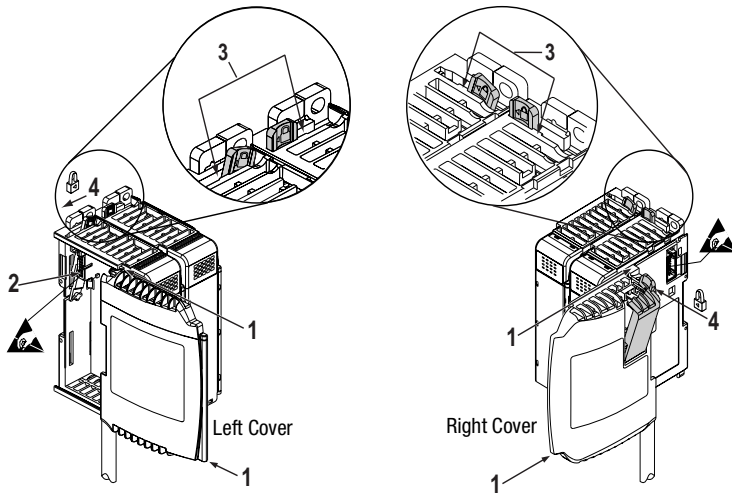
ATTENTION: Remove power before making or breaking cable connections. When you remove or insert a cable connector with power applied, an electrical arc may occur. An electrical arc can cause personal injury or property damage by:

- sending an erroneous signal to your system's field devices, causing unintended machine motion
- causing an explosion in a hazardous environment

Electrical arcing causes excessive wear to contacts on both the module and its mating connector. Worn contacts may create electrical resistance.

Attaching Cables

- Note:**
- A maximum of two expansion cables may be used in a 1769 system.
 - Each I/O bank requires its own power supply. The 1769 cables extend the 1769 communication bus, but do not extend bus power.



1. Disconnect power
2. Check bus lever position.
Left cover: Make sure the bus lever (4) on the left-most I/O module is in the unlocked (fully right) position.
Right cover: Make sure the bus lever (4) on the right cover is in the unlocked (fully right) position.
3. Use the upper and lower tongue-and-groove slots (1) to secure the cable cover to the module.
4. Move the cable cover back along the tongue-and-groove slots until the bus connectors (2) line up with each other.
5. If necessary, push the bus lever back slightly to clear the bus locking tab (3). Use your fingers or a small screwdriver.
6. To allow communication between the module and the cable connector, move the bus lever firmly to the left (4) until it clicks. Ensure that it is locked firmly in place.



ATTENTION: When attaching cables, it is very important that the bus connectors are securely locked together to ensure proper electrical connection.

Specifications

Approximate Shipping Weight (with carton)	3-foot cables: 350 g (0.77lbs.) 1-foot cables: 300 g (0.66 lbs.)
Storage Temperature	-40°C to +85°C (-40°F to +185°F)
Operating Temperature	0°C to +60°C (32°F to +140°F)
Operating Humidity	5% to 95% non-condensing
Operating Altitude	2000 meters (6561 feet)
Vibration	Operating: 10 to 500 Hz, 5G, 0.015 in. peak-to-peak Relay Operation: 2G
Shock	Operating: 30G panel mounted (20G DIN rail mounted) Relay Operation: 7.5G panel mounted (5G DIN rail mounted) Non-Operating: 40G panel mounted (30G DIN rail mounted)
Agency Certification	C-UL certified (under CSA C22.2 No. 142) UL 508 listed CE compliant for all applicable directives
Hazardous Environment Class	Class I, Division 2, Hazardous Location, Groups A, B, C, D (UL 1604, C-UL under CSA C22.2 No. 213)

Reach us now at www.rockwellautomation.com

Wherever you need us, Rockwell Automation brings together leading brands in industrial automation including Allen-Bradley controls, Reliance Electric power transmission products, Dodge mechanical power transmission components, and Rockwell Software. Rockwell Automation's unique, flexible approach to helping customers achieve a competitive advantage is supported by thousands of authorized partners, distributors and system integrators around the world.

Americas Headquarters, 1201 South Second Street, Milwaukee, WI 53204, USA, Tel: (1) 414 382-2000, Fax: (1) 414 382-4444
European Headquarters SA/NV, avenue Herrmann Diebroux, 46, 1160 Brussels, Belgium, Tel: (32) 2 663 06 00, Fax: (32) 2 663 06 40
Asia Pacific Headquarters, 27/F Citicorp Centre, 18 Whitfield Road, Causeway Bay, Hong Kong, Tel: (852) 2887 4788, Fax: (852) 2508 1846

Publication 1769-5.15 - August 1999



**Rockwell
Automation**

PN 40071-068-01(B)

© (1999) Rockwell International Corporation. Printed in the U.S.A.

