



# ALLEN-BRADLEY 25-PIN CONNECTOR KITS (Cat. No. 1770-XXP — Male and 1770-XXS — Female)

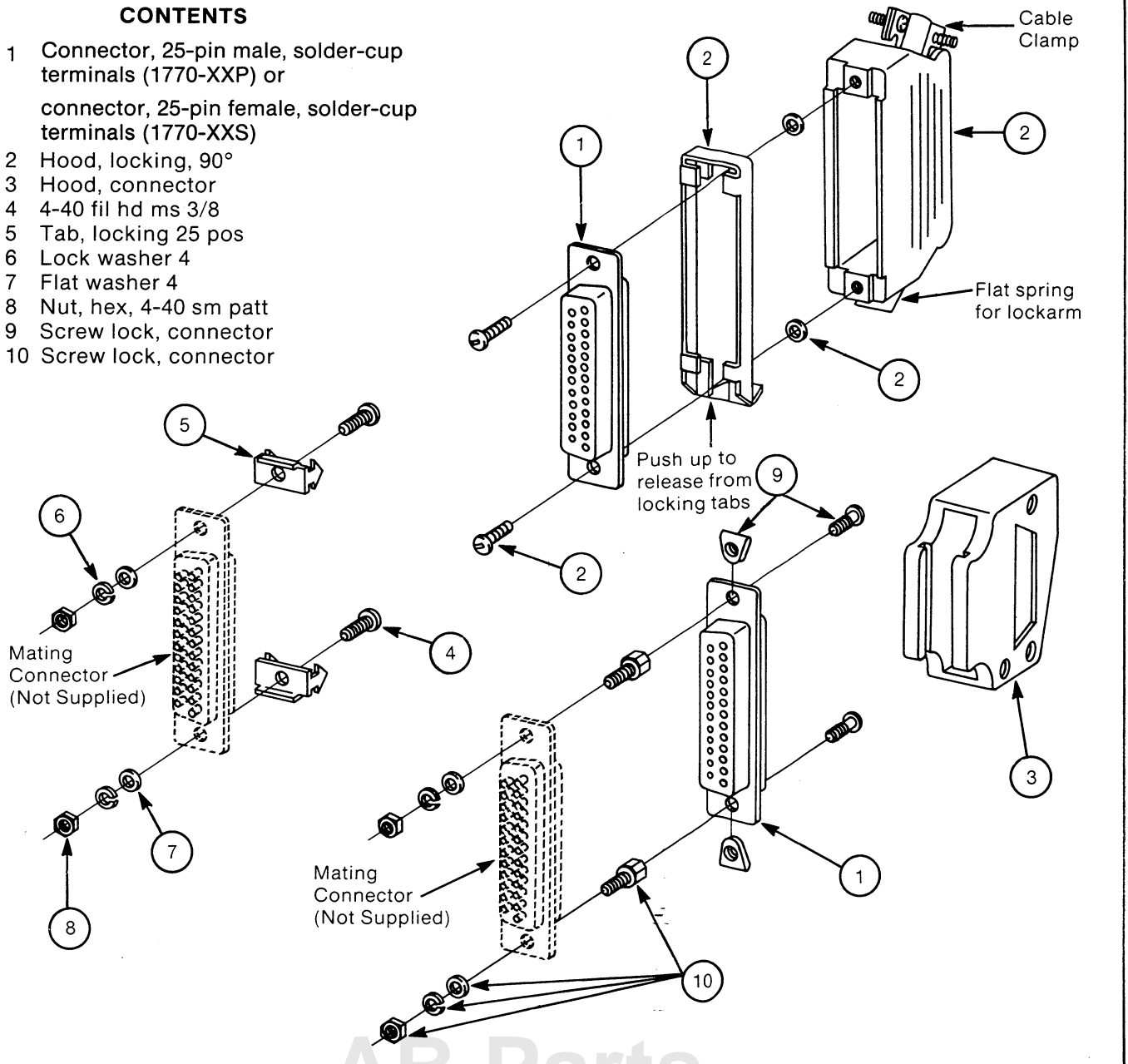
Each of these kits provides a 25-pin connector with hoods and locking mechanism for cable-end mounting. The connectors are of the kind conventionally used to make up EIA STD RS-232-C interface cables

for various serial data communication applications. The 1770-XXP kit provides a male-pin connector, and the 1770-XXS kit provides a female-pin connector. Both kits include two hoods: a 90-degree cable-exit

quick-release locking hood and a perpendicular cable-exit screw-locking hood with mating hardware. Both hood configurations are shown below, and do apply to both connector types.

## CONTENTS

- 1 Connector, 25-pin male, solder-cup terminals (1770-XXP) or connector, 25-pin female, solder-cup terminals (1770-XXS)
- 2 Hood, locking, 90°
- 3 Hood, connector
- 4 4-40 fil hd ms 3/8
- 5 Tab, locking 25 pos
- 6 Lock washer 4
- 7 Flat washer 4
- 8 Nut, hex, 4-40 sm patt
- 9 Screw lock, connector
- 10 Screw lock, connector





**ALLEN-BRADLEY**  
A ROCKWELL INTERNATIONAL COMPANY

As a subsidiary of Rockwell International, one of the world's largest technology companies — Allen-Bradley meets today's challenges of industrial automation with over 85 years of practical plant-floor experience. More than 11,000 employees throughout the world design, manufacture and apply a wide range of control and automation products and supporting services to help our customers continuously improve quality, productivity and time to market. These products and services not only control individual machines but integrate the manufacturing process, while providing access to vital plant floor data that can be used to support decision-making throughout the enterprise.

With offices in major cities worldwide

**WORLD  
HEADQUARTERS**

Allen-Bradley  
1201 South Second Street  
Milwaukee, WI 53204 USA  
Tel: (1) 414 382-2000  
Telex: 43 11 016  
FAX: (1) 414 382-4444

**EUROPE/MIDDLE  
EAST/AFRICA  
HEADQUARTERS**

Allen-Bradley Europe B.V.  
Amsterdamseweg 15  
1422 AC Uithoorn  
The Netherlands  
Tel: (31) 2975/43500  
Telex: (844) 18042  
FAX: (31) 2975/60222

**ASIA/PACIFIC  
HEADQUARTERS**

Allen-Bradley (Hong Kong)  
Limited  
Room 1006, Block B, Sea  
View Estate  
28 Watson Road  
Hong Kong  
Tel: (852) 887-4788  
Telex: (780) 64347  
FAX: (852) 510-9436

**CANADA  
HEADQUARTERS**

Allen-Bradley Canada  
Limited  
135 Dundas Street  
Cambridge, Ontario N1R  
5X1  
Canada  
Tel: (1) 519 623-1810  
FAX: (1) 519 623-8930

**LATIN AMERICA  
HEADQUARTERS**

Allen-Bradley  
1201 South Second Street  
Milwaukee, WI 53204 USA  
Tel: (1) 414 382-2000  
Telex: 43 11 016  
FAX: (1) 414 382-2400