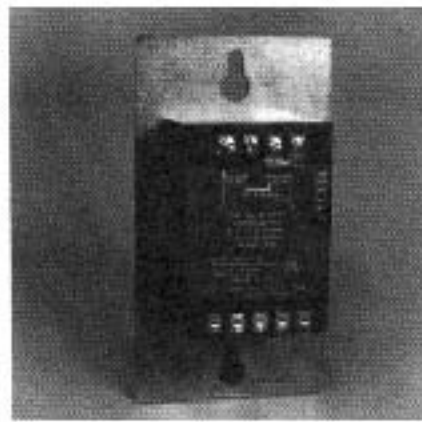




Allen-Bradley Power Supply

(Cat. No. 1770-P1)

Product Data



Description

The Power Supply (cat. no. 1770-P1) provides well-regulated +5V and $\pm 15V$ DC outputs. It can be used with Bulletin 1771 I/O modules that require an external DC power source for operation, including the Analog Input Modules (cat. nos. 1771-IE, -IF). It can also be used to power other devices connected to I/O modules, including thumbwheel switches and LED numeric displays.

The power supply provides sufficient output current for either of these configurations:

- 2 Analog Input Modules (8 bit) (cat. no. 1771-IE)
- 2 Analog Input Modules (12 bit) (cat. no. 1771-IF)

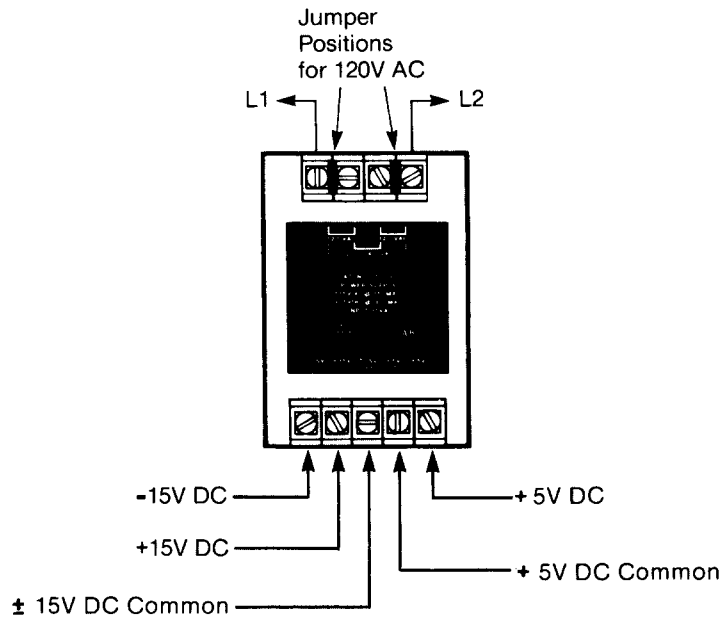
The supply has built-in current-limiting circuitry to aid in protection from shorted outputs.

Allen-Bradley Spares

Wiring

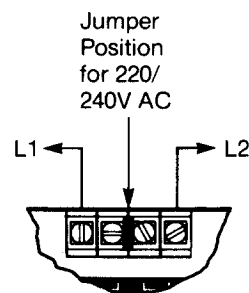
This power supply requires input from either 120V or 220/240V AC. It is factory-shipped for 120V AC operation, with two metal jumpers installed at the input terminals labeled 120V AC (figure 1).

Figure 1
Supply Terminals



For 220/240V operation, **both** metal jumpers on the terminal strip must be removed from their original positions. **One** of these jumpers must then be re-installed at the input terminals labeled 220/240V AC (figure 2).

Figure 2
220/240V Input Connections

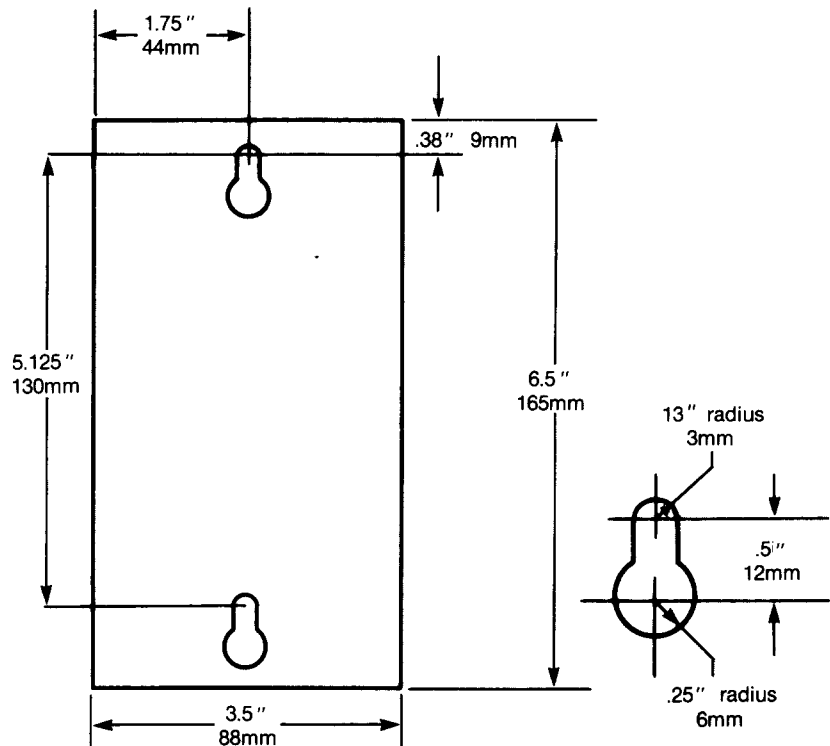


The Supply has output COMMON terminals for both +5V DC COMMON and $\pm 15V$ DC COMMON. When the power supply is used with the cat. no. 1771-IE Analog Input Module, both COMMON terminals must be connected together. (This connection may be made at the module or by wiring a jumper between the COMMON terminals.) When the power supply is used with the cat. no. 1771-IF Analog Input Module, separate terminals are provided for both +5V DC COMMON and $\pm 15V$ DC COMMON. To minimize ground loops when used with the cat. no. 1771-IF module, do not connect commons together.

Mounting

Sized for limited-space applications, the power supply can be installed on the back panel of the programmable controller enclosure. To minimize noise effects from other wiring within the enclosure, mount it near the I/O chassis and route supply wiring away from high-voltage wiring within the enclosure. Refer to figure 3 for mounting dimensions.

Figure 3
Mounting Dimensions



Specifications

Nominal Input Voltage

- 120V AC
- 220/240V AC

Input Voltage Range

- 105-125V AC
- 205-250V AC

Frequency Range

- 50-440 Hz

Output Voltages

- +5V DC
- +15V DC
- -15V DC

Output Voltage Tolerance

- $\pm 1.0\%$

Maximum Output Current

- +5V DC: 300mA
- +15V DC: +150mA
- -15V DC: -150mA

Regulation

- Line: 0.02%
- Load: 0.1% (at +5V output)
0.05% (at $\pm 15V$ outputs)

Output Voltage Ripple

- 1.0 mV RMS (max.)

Dimensions WHD

- 3.5 x 6.5 x 2 inches
- 89 x 165 x 51 mm

Weight

- 2 lbs. (0.9 kg)

Operating Temperature

- 0°C to 60°C

© 1985 Allen-Bradley Company.
PLC is a registered trademark of Allen-Bradley Company.



As a subsidiary of Rockwell International, one of the world's largest technology companies — Allen-Bradley meets today's challenges of industrial automation with over 85 years of practical plant-floor experience. More than 11,000 employees throughout the world design, manufacture and apply a wide range of control and automation products and supporting services to help our customers continuously improve quality, productivity and time to market. These products and services not only control individual machines but integrate the manufacturing process, while providing access to vital plant floor data that can be used to support decision-making throughout the enterprise.

With offices in major cities worldwide

WORLD HEADQUARTERS
Allen-Bradley
1201 South Second Street
Milwaukee, WI 53204 USA
Tel: (1) 414 382-2000
Telex: 43 11 016
FAX: (1) 414 382-4444

EUROPE/MIDDLE EAST/AFRICA HEADQUARTERS
Allen-Bradley Europe B.V.
Amsterdamseweg 15
1422 AC Uithoorn
The Netherlands
Tel: (31) 2975/43500
Telex: (844) 18042
FAX: (31) 2975/60222

ASIA/PACIFIC HEADQUARTERS
Allen-Bradley (Hong Kong) Limited
Room 1006, Block B, Sea View Estate
28 Watson Road
Hong Kong
Tel: (852) 887-4788
Telex: (780) 64347
FAX: (852) 510-9436

CANADA HEADQUARTERS
Allen-Bradley Canada Limited
135 Dundas Street
Cambridge, Ontario N1R 5X1
Canada
Tel: (1) 519 623-1810
FAX: (1) 519 623-8930

LATIN AMERICA HEADQUARTERS
Allen-Bradley
1201 South Second Street
Milwaukee, WI 53204 USA
Tel: (1) 414 382-2000
Telex: 43 11 016
FAX: (1) 414 382-2400